

倍仕得电气科技(杭州)股份有限公司
BEISIT ELECTRIC TECH (HANGZHOU) CO.,LTD.

浙江省杭州市临平经济开发区唐梅路1号 邮编: 311100

Add.: 1, Tangmei Rd., Linping Economic Development Area, Hangzhou, Zhejiang 311100, China

TeI: 0086-571-8936 2888 E-mail: info@beisit.com

Http: // www.beisit.com

倍仕得电气科技(深圳)有限公司
BEISIT ELECTRIC TECH (SHENZHEN) CO.,LTD.

深圳龙华区壹成环智中心B座1203-1204单元 邮编: 518109

Add.: Unit 1203-1204, Building B, Yicheng Huanzhi Center, Longhua District, Shenzhen 518109 China

TeI: 0086-755-23730413 E-mail: info@beisit.com

Http: // www.beisit.com



Ex d Cable Glands

隔爆型电缆固定头

Ex e Cable Glands

增安型电缆固定头

Accessories

相关配件



微信公众号



官网



抖音

We reserve the right to make technical changes or modify the contents of this document without prior notice. All the agreed particulars shall prevail. All rights reserved.

倍仕得园区鸟瞰图
Beisit factory Aeroview



产品合集
Product Collection



做人，把人品做好。
做企业，把产品做好。

董事长：李永乐

品牌解析

Brand Definition

BEISIT[®]

"I" stands for "Integrity 诚信"

"I" stands for "International 国际"

"BEST": Best 最好

做诚信的国际企业，以更好的品质服务客户

Functions as an international company of high integrity whose mission is to provide customer with finest products and services

倍仕得

倍：即多，广聚英才；加倍，业精于勤；倍增，高效发展

pronounced as "bei", means "more", gathering more talents; mastery of work comes from more diligence; developing with high efficiency.

仕：人才，德才兼备；仕途，个人和企业前景光明

pronounced as "shi", means "talents", a person with ability and integrity; Both enterprise and individual should have a bright future, indicating the idea of people-oriented.

得：拥有，拥有更高价值

pronounced as "de", means "possess", to create and possess higher value.

广聚英才，共创美好未来

Gather a large number of talents, and create a glorious future

检测中心
Testing Center

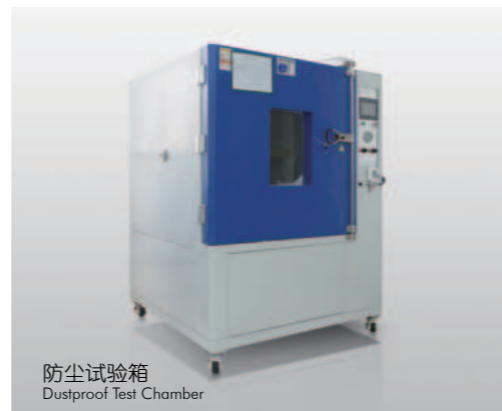
BEISIT

专业的检测设备
Professional Testing Equipment



BEISIT

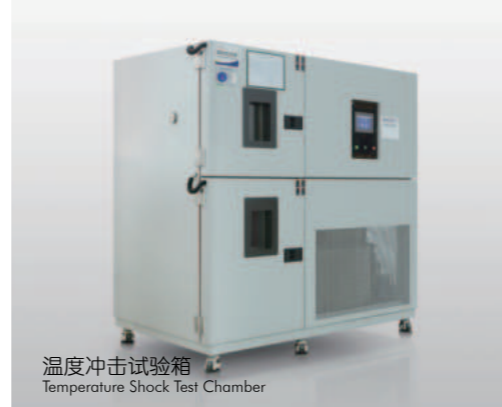
倍仕得产品检验遵循德国DIN、VDE标准和美国UL标准
Product Tests follow German standard of DIN, VDE and American UL Standard.
产品符合欧洲最新EN标准和ATEX标准
Comply with Latest of EN and ATEX European standard.



防尘试验箱
Dustproof Test Chamber



防水试验箱
Waterproof Test Chamber



温度冲击试验箱
Temperature Shock Test Chamber



万能材料试验机
Universal material Test Machine



水平垂直燃烧测试仪
Horizontal and Vertical Combustion Tester

紫外老化试验箱
UV Aging Test Chamber

高温试验箱
High Temperature Test Chamber

一体式马弗炉
Integrated Muffle Furnace

企业认证
Company Certifications



信息化系统
Informatization System



高效快捷的信息化系统
Efficient and fast Informatization system.



产品认证
Product Certifications

产品测试
Product Tests



IECEx

ATEX

CE

CCC

CJEX



RoHS

IP68

IP68

IP68

IP68



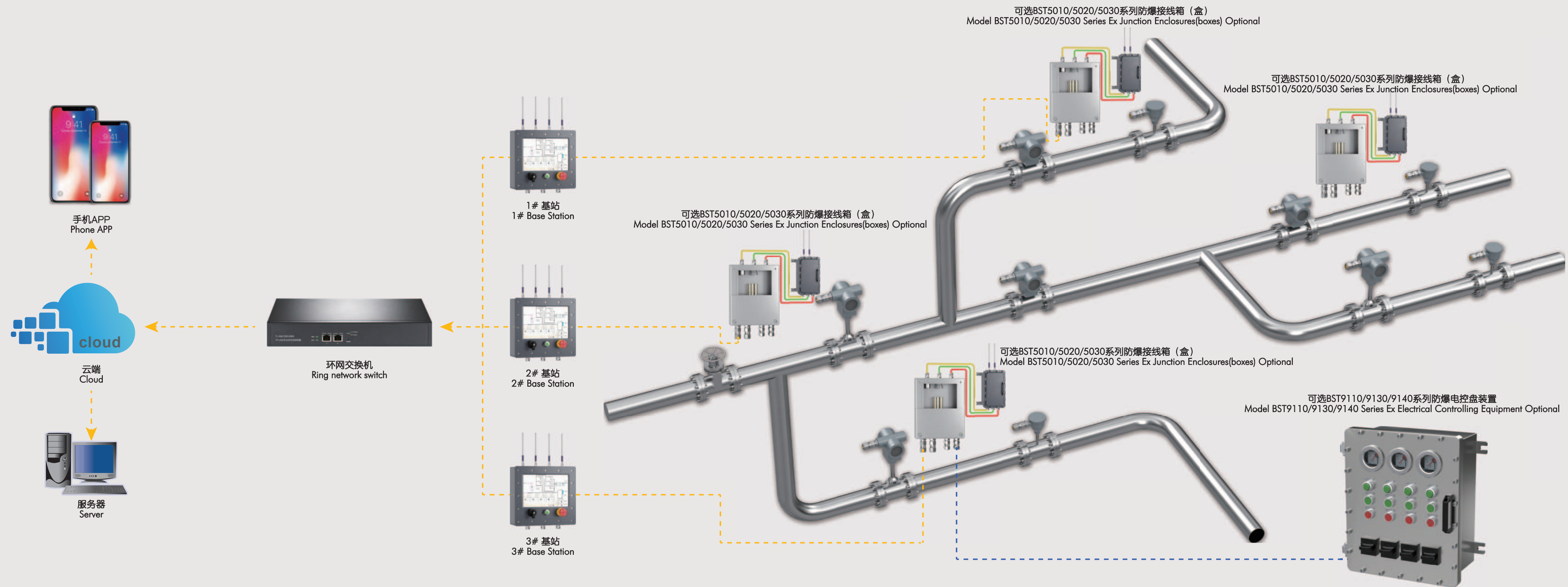


倍仕得使命: 为全球工业提供最可靠的连接器产品
Mission: To supply most reliable connectors for global industry.
客户价值观: 敬畏客户; 为客户创造独特价值的决心不动摇
Customer Value: Revere clients; Never waver in determination to create unique value for our clients.
品质价值观: 品质如命, 只有一次; 做出100%合格产品的决心不动摇
Quality Value: Quality as life, only once. Never waver in determination to produce 100% qualified products.



连接世界 · 连接未来

爆炸性环境——防爆接线箱智能安全监测系统架构
Ex Environment -- Architecture of Intelligent Safety Monitoring System for Ex Junction Box





产品目录

Technical Appendix	01 应用领域
	02 爆炸性环境
	04 电气设备再分类及其代表性物质/设备防护
	06 防护类型及标准
	08 密封材料选用
	10 各种材料特性与表面处理
	12 盐雾测试/防腐材料的选择
	14 防护等级/IP防护指南
	16 技术文档规格说明
	17 产品命名规则
	18 选型指南
	28 隔爆单密封电缆固定头
	29 M型隔爆单密封电缆固定头
	30 NPT型隔爆单密封电缆固定头
	31 隔爆单密封电缆固定头安装作业指导书
	32 隔爆双密封电缆固定头
	33 M型隔爆双密封电缆固定头
	34 NPT型隔爆双密封电缆固定头
35 隔爆双密封电缆固定头安装作业指导书	
36 隔爆单密封带填料电缆固定头	
37 M型隔爆单密封带填料电缆固定头	
38 NPT型隔爆单密封带填料电缆固定头	
39 隔爆单密封带填料电缆固定头安装作业指导书	
40 隔爆双密封带填料电缆固定头	
41 M型隔爆双密封带填料电缆固定头	
42 NPT型隔爆双密封带填料电缆固定头	
43 隔爆双密封带填料电缆固定头安装作业指导书	
45 隔爆密封双密封双锁紧电缆固定头	
46 M型隔爆密封双密封双锁紧电缆固定头	
47 NPT型隔爆密封双密封双锁紧电缆固定头	
48 隔爆密封双密封双锁紧电缆固定头安装作业指导书	
50 隔爆密封单密封带填料电缆固定头	
51 M型隔爆密封单密封带填料电缆固定头	
52 NPT型隔爆密封单密封带填料电缆固定头	
53 隔爆密封单密封带填料电缆固定头安装作业指导书	
55 隔爆密封单密封双锁紧带填料电缆固定头	
56 M型隔爆密封单密封双锁紧带填料电缆固定头	
57 NPT型隔爆密封单密封双锁紧带填料电缆固定头	
58 隔爆密封单密封双锁紧带填料电缆固定头安装作业指导书	
60 隔爆单密封带接线管电缆固定头	
61 M型隔爆单密封带接线管电缆固定头	
62 NPT型隔爆单密封带接线管电缆固定头	
63 隔爆单密封带接线管电缆固定头安装作业指导书	
64 隔爆单密封带填料带接线管电缆固定头	
65 M型隔爆单密封带填料带接线管电缆固定头	
66 NPT型隔爆单密封带填料带接线管电缆固定头	
67 隔爆单密封带填料带接线管电缆固定头安装作业指导书	

Etc	69 M型/M加长型增安尼龙电缆固定头
	70 PG型/PG加长型增安尼龙电缆固定头
	71 NPT型增安尼龙电缆固定头
	72 M型/M加长型增安金属电缆固定头
	73 PG型/PG加长型增安金属电缆固定头
	74 NPT型增安金属电缆固定头
	75 加强型M/M加长型增安金属电缆固定头
	76 加强型PG/PG加长型增安金属电缆固定头
	77 加强型NPT型增安金属电缆固定头
	78 尼龙六角螺母
79 金属六角螺母	
Accessories	80 带齿金属六角螺母
	81 PTFE垫片
	82 硅胶垫片
	83 无石棉垫片
	84 防震垫片
	85 接地片
	86 护套
	87 防爆圆形衬套
	88 防爆金属圆形衬套
	89 防爆金属六角形衬套
90 防爆金属垫圈	
92 防爆金属O型圈	
93 防爆金属交环	

I类

矿用防爆领域
Explosion-proof fields for Mines

矿用防爆领域：煤矿、矿山具有瓦斯等爆炸性气体突出的场所。
Coal mines, mines where full of gas and other explosive gases.

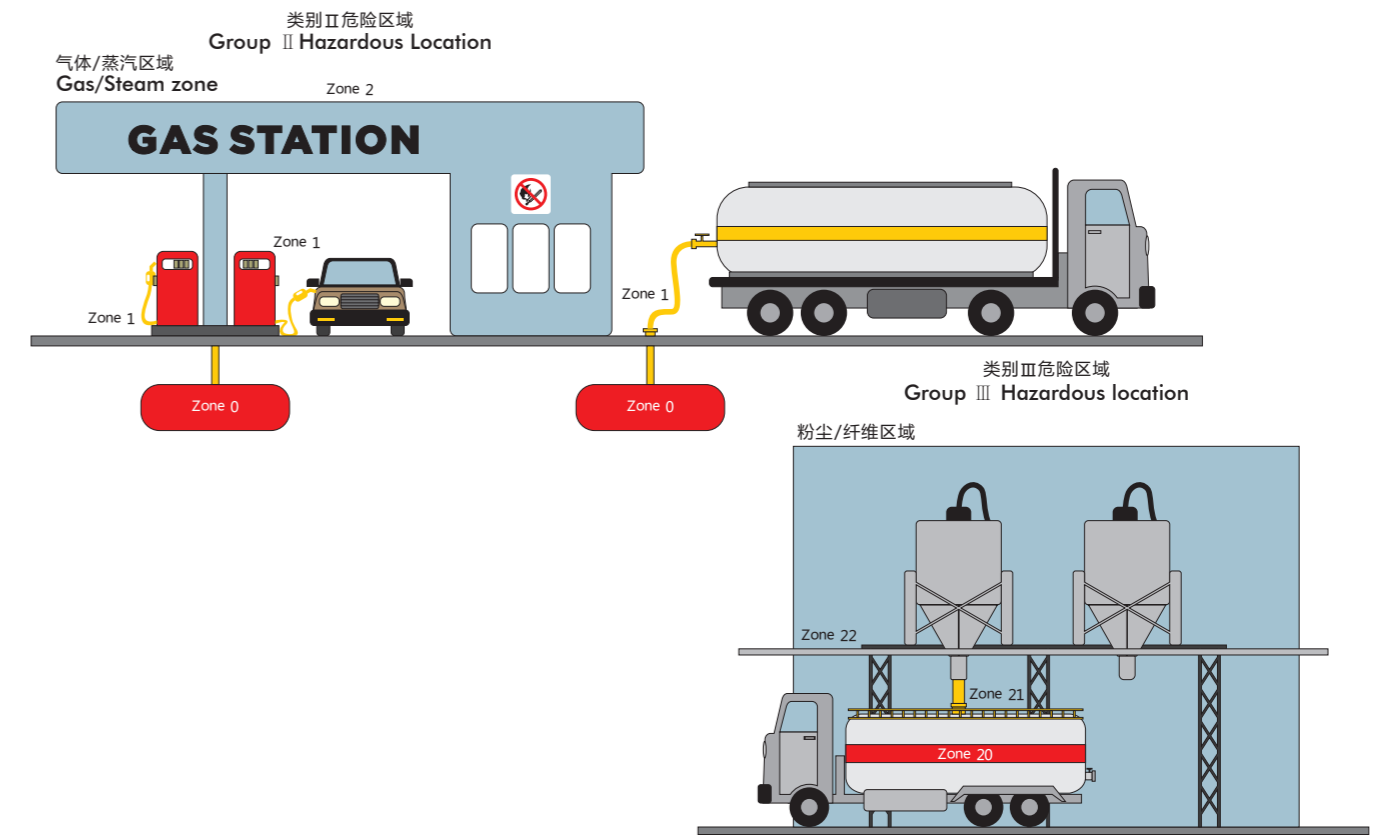
II类

工厂用防爆领域
Explosion-proof field for factory

工厂用防爆领域：除煤矿、矿山外的所有场所，如：石油、天然气、化工、轻纺、医药、军工等企业。
All places except coal mines and mines, such as petroleum, natural gas, chemical, textile, pharmaceutical, military and other industries.



产生爆炸的三大条件 Three conditions for explosion	(1) 燃料; (2) 氧气; (3) 火源. (1) Fuel (2) Oxygen (3) Fire Source
以上任意一个条件缺失，就不会产生爆炸。Absence of above conditions, there will be no explosion.	
潜在爆炸环境 Potentially Explosive atmospheres	潜在爆炸环境是指有可燃物和氧气的混合环境，氧气作为空气的一部分普遍存在于周围环境中。如果氧气含量低于可燃物所需的阈值，即氧气极限浓度，那么这样的混合物就不会被点燃。 Potentially explosive environment refers to a mixture of combustibles and oxygen, Oxygen is ubiquitous in the environment as a part of the air. If the oxygen content is below the threshold required for combustible combustion, known as the oxygen limit concentration, then such mixtures will not be ignited.



危险性区域定义 Hazardous area definition		
气体 Gas	0区 Zone 0	易燃易爆气体持续存在或长时间存在的区域（如每年超过1000小时）。 Areas where flammable and explosive gases persist or exist for a long time (such as more than 1,000 hours per year).
	1区 Zone 1	易燃易爆气体在正常运行状态时存在的区域（如每年10-1000小时）。 Areas where flammable and explosive gases exist during normal operation (such as 10-1000 hours per year).
	2区 Zone 2	易燃易爆气体在正常运行状态时通常不存在，但如果有也仅存在短暂的时间（如每年少于10小时）。 Areas where flammable and explosive gases usually do not exist during normal operation, but if there are, they only exist for a short time (such as less than 10 hours per year).
粉尘 Dust	20区 Zone 20	爆炸性粉尘或可燃纤维与空气的混合物持续存在或长时间存在的区域。 Areas where explosive dust or a mixture of combustible fibers and air persists or exists for a long time.
	21区 Zone 21	爆炸性粉尘或可燃纤维与空气的混合物可能出现的区域。 Areas where explosive dust or a mixture of combustible fibers and air may occur.
	22区 Zone 22	爆炸性粉尘或可燃纤维与空气的结合物不可能出现，即使出现也是偶尔的或短时间的。 Areas where Explosive dust or combustible fibers combined with air are unlikely to appear, and even if it appears, it is occasional or short-term.

工矿类别 Industrial and mining category	气体类别及代表性物质 Gas categories and representative substances		粉尘类别及代表 Dust category and representative	
矿井下 Underground	I	甲烷 Methane		
矿井外 Outside the mine	II A	丙烷 Propane	III A	可燃性飞絮 Combustible flyings
	II B	乙烯 Ethylene	III B	非导电性粉尘 Non-conductive dust
	II C	氢气 Hydrogen	III C	导电性粉尘 Conductive dust

设备防护
Equipment protection

设备保护级别、保护特性和运行条件 Equipment protection level, protection characteristics and operating conditions			
设备类别 Equipment category	设备保护级别 EPL	设备保护特性 Equipment protection features	运行条件 Operating conditions
I类 煤矿 Group I Coal Mine	Ma 很高 Ma Very high	两个单独保护措施或即使两个故障彼此单独出现依然安全。 Two separate safeguards or even if two failures occur separately from each other, they are still safe.	当出现爆炸性环境时设备依然运行。 The equipment is operated when an explosive environment is present.
	Mb 高 Mb high	适合正常操作和严酷运行条件。 Suitable for normal operation and severe operating conditions.	当出现爆炸性环境时设备断电。 When an explosive environment is present, the device is powered off.
II类 气体 Group II Gas	Ga 很高 Ga Very high	两个单独保护措施或即使两个故障彼此单独出现依然安全。 Two separate safeguards or even if two failures occur separately from each other, they are still safe.	在0区、1区和2区设备依然运行。 Devices are still running in zone 0, zone 1, and zone 2.
	Gb 高 Gb High	适合正常运行和经常出现干扰或正常考虑故障的设备。 Suitable for normal operation and equipment that often interferes or normally considers faults.	在1区和2区设备依然运行。 The equipment is still running in Zone 1 and Zone 2.
	Gc 一般 Gc General	适合正常运行。 Suitable for normal operation.	在2区设备依然运行。 The equipment is still running in zone 2.
III类 粉尘 Group III Dust	Da 很高 Da Very high	两个单独保护措施或即使两个故障彼此单独出现依然安全。 Two separate safeguards or even if two failures occur separately from each other, they are still safe.	在20区、21区和22区设备依然运行。 The equipment is still running in Zone 20, Zone 21 and Zone 22.
	Db 高 Db High	适合正常运行和经常出现干扰或正常考虑故障的设备。 Suitable for normal operation and equipment that often interferes or normally considers faults.	在21区和22区设备依然运行。 Equipment is still running in Zone 21 and Zone 22.
	Dc 一般 Dc General	适合正常运行。 Suitable for normal operation.	在22区设备依然运行。 The equipment is still running in zone 22.

设备类别 Equipment Category	EPL等级 EPL Level	防护类型 Type of protection	代码 Code	IEC标准 IEC standard	GB标准 GB standard	适用区域 Applicable area
I类 煤矿 Group I Coal Mine	Ma	浇封型 Encapsulation	ma	IEC 60079-18	GB 3836.9-2006	
		本质安全型 Intrinsically safe	ia	IEC 60079-11	GB 3836.4-2010	
	Mb	浇封型 Encapsulation	mb	IEC 60079-18	GB 3836.9-2006	
		本质安全型 Intrinsically safe	ib	IEC 60079-11	GB 3836.4-2010	
		隔爆型 Flameproof enclosures	d	IEC 60079-1	GB 3836.2-2010	
		增安型 Increased safety	e	IEC 60079-7	GB 3836.3-2010	
Ga	浇封型 Encapsulation	ma	IEC 60079-18	GB 3836.9-2006	0、1、2	
	本质安全型 Intrinsically safe	ia	IEC 60079-11	GB 3836.4-2010		
II类 气体 Group II Gas	Gb	浇封型 Encapsulation	mb	IEC 60079-18	GB 3836.9-2006	1、2
		本质安全型 Intrinsically safe	ib	IEC 60079-11	GB 3836.4-2010	
		隔爆型 Flameproof enclosures	d	IEC 60079-1	GB 3836.2-2010	
	增安型 Increased safety	e	IEC 60079-7	GB 3836.3-2010		
	油浸型 Oil immersion type	o	IEC 60079-6	GB 3836.6-2004		
	正压型 Positive pressure	Px&py	IEC 60079-2	GB 3836.5-2004		
	充砂型 Sand-filled	q	IEC 60079-5	GB 3836.7-2004		
Gc	浇封型 Encapsulation	mc	IEC 60079-18	GB 3836.9-2006	2	
	本质安全型 Intrinsically safe	ic	IEC 60079-11	GB 3836.4-2010		
	增安型 Increased safety	e	IEC 60079-7	GB 3836.3-2010		
	无火花型 Non-sparking	nA	IEC 60079-15	GB 3836.8-2003		
	有火花型 Sparking equipment	nC	IEC 60079-15	GB 3836.8-2003		
	限制呼吸型 Restricted breathing	nR	IEC 60079-15	GB 3836.8-2003		
Da	限制能量型 Energy Limitation	nL	IEC 60079-15	GB 3836.8-2003	20、21、22	
	正压型 Positive pressure	pz	IEC 60079-2	GB 3836.5-2004		
	浇封型 Encapsulation	ma	IEC 60079-18	GB 12476.6-2010		
Db	本质安全型 Intrinsically safe	ia	IEC 60079-11	GB 12476.4-2010	21、22	
	外壳保护型 Protection by enclosure	ta	IEC 60079-31	IEC 61241-1		
	浇封型 Encapsulation	mb	IEC 60079-18	GB 12476.6-2010		
Dc	本质安全型 Intrinsically safe	ib	IEC 60079-11	GB 12476.4-2010	22	
	外壳保护型 Protection by enclosure	tb	IEC 60079-31	IEC 61241-1		
	正压型 Positive pressure	p	IEC 61241-4	GB 12476.7-2010		
	浇封型 Encapsulation	mc	IEC 60079-18	GB 12476.6-2010		
Dc	本质安全型 Intrinsically safe	ic	IEC 60079-11	GB 12476.4-2010	22	
	外壳保护型 Protection by enclosure	tc	IEC 60079-31	IEC 61241-1		
Dc	正压型 Positive pressure	p	IEC 61241-4	GB 12476.7-2010	22	

注：根据我国国情，部分增安型“e”仅适用于2区，详见GB 3836.15-2000。
Note: According to my country's national conditions, part of the increased safety "e" is only applicable to Zone 2, see GB 3836.15-2000 for details.

IP防护等级 (第一位数字表示对应防尘等级)

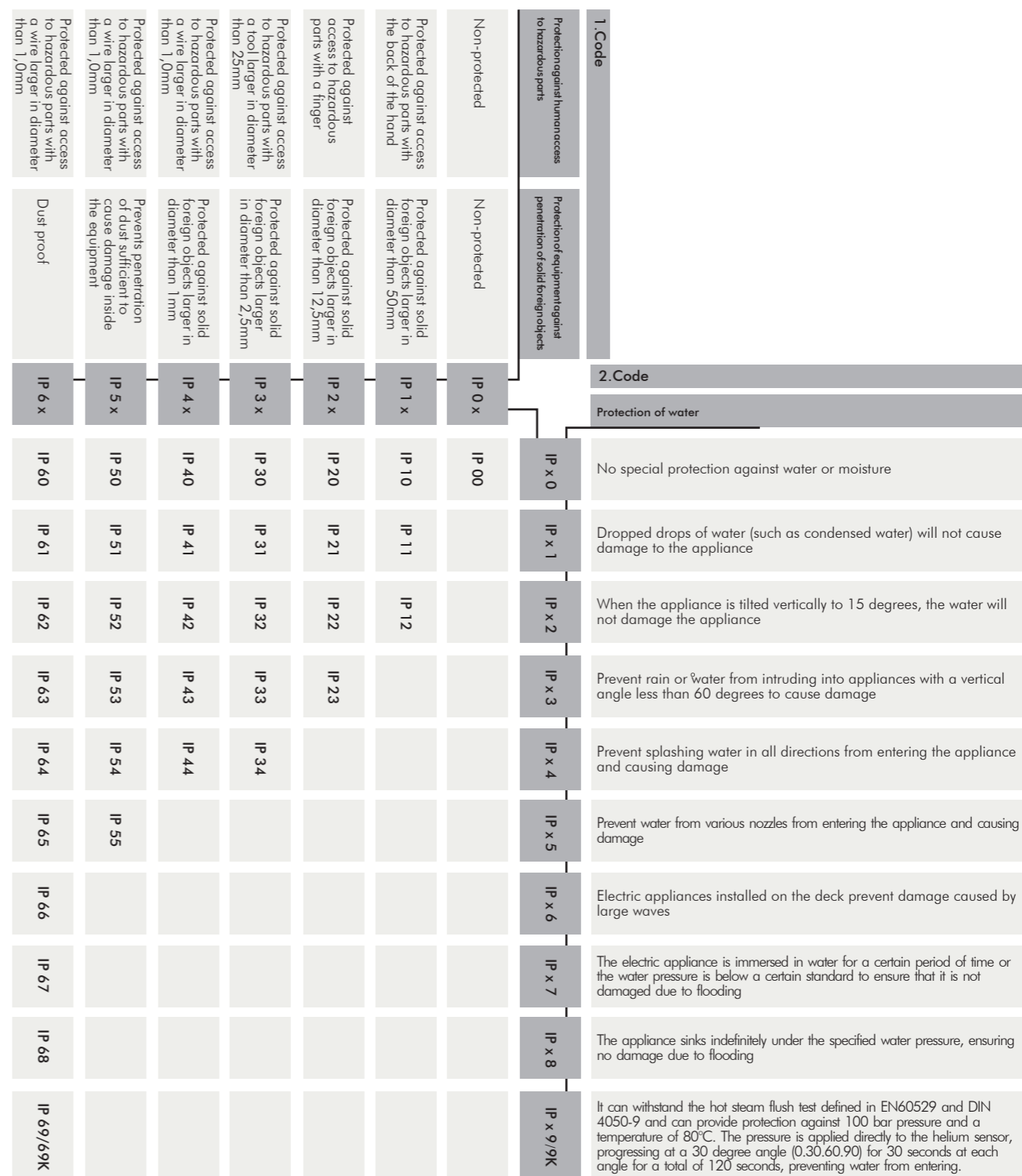
数字	防护范围	说明
0	无防护	对外界的人或物无特殊的防护
1	防止直径大于50mm的固体外物侵入	防止人体 (如手掌) 因意外而接触到电器内部的零件, 防止较大尺寸 (直径大于50mm) 的外物侵入
2	防止直径大于12.5mm的固体外物侵入	防止人的手指接触到电器内部的零件, 防止中等尺寸 (直径大于12.5mm) 的外物侵入
3	防止直径大于2.5mm的固体外物侵入	防止直径或厚度大于2.5mm的工具、电线及类似的小型外物侵入而接触到电器内部的零件
4	防止直径大于1.0mm的固体外物侵入	防止直径或厚度大于1.0mm的工具、电线及类似的小型外物侵入而接触到电器内部的零件
5	防止外物及灰尘	完全防止外物侵入, 虽不能完全防止灰尘侵入, 但灰尘的侵入量不会影响电器的正常运作
6	防止外物及灰尘	防止外物及灰尘

IP防护等级 (第二位数表示对应防水等级)

数字	防护范围	说明
0	无防护	对水或湿气无特殊的防护
1	防止水滴浸入	垂直落下的水滴 (如凝结水) 不会对电器造成损坏
2	倾斜15度时, 仍可防止水滴浸入	当电器由垂直倾斜至15度时, 滴水不会对电器造成损坏
3	防止喷洒的水浸入	防雨或防止与垂直的夹角小于60度的方向所喷洒的水侵入电器而造成损坏
4	防止飞溅的水浸入	防止各个方向飞溅而来的水侵入电器而造成损坏
5	防止各个方向飞溅而来的水侵入电器而造成损坏	防止来自各个方向由喷嘴射出的水侵入电器而造成损坏
6	防止大浪浸入	装设于甲板上的电器, 可防止因大浪的侵袭而造成的损坏
7	防止浸水时水的浸入	电器浸在水中一定时间或水压在一定的标准以下, 可确保不因浸水而造成损坏
8	防止淹没时水的浸入	电器无限期沉没在指定的水压下, 可确保不因浸水而造成损坏
9K	/	能够承受EN60529和DIN 4050-9中定义的热蒸汽冲刷测试, 能够提供水压在100bar, 温度80°C的防护。压力直接应用传感器上, 以30度的角度递进 (0.30.60.90) 在每个角度持续三十秒, 共120秒, 能够防止水进入。

IP防护指南 IP Protection Classification

International Protection, EN 60529



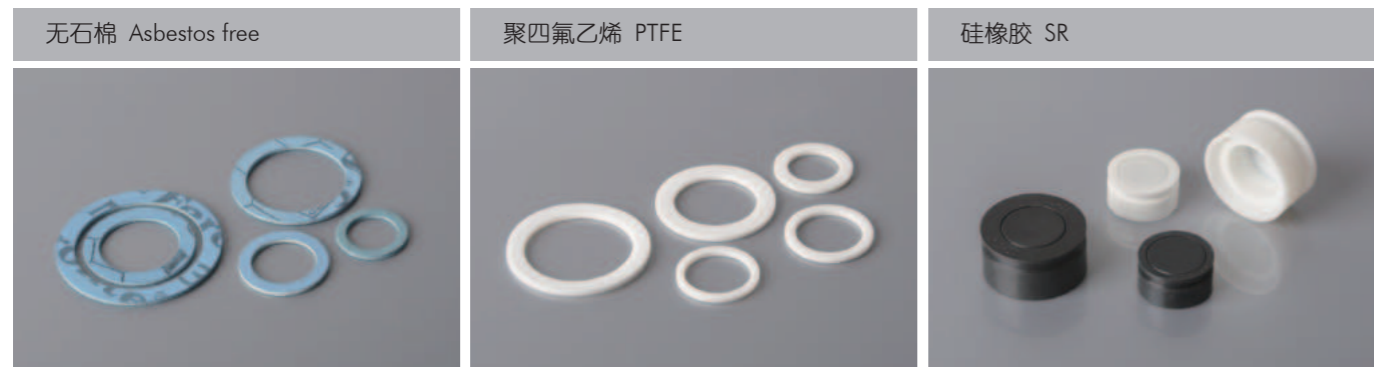
Product Material Abbreviations

CR	Chloroprene rubber	PP	Polypropylene
FPM	Fluorelastomer	PVC	Polyvinylchloride
Ms	Nickel plated brass	PVDF	Polyvinylidenfluoride
NBR	Buna-N	SB	Styrene Butadiene
PA	Polyamide	VMQ	Silicone
PE	Polyethylene		

密封材料的选用
Selection of sealing materials



名称牌号 Name	材料特性 Properties of Materials	应用 Application
硅橡胶 Silicone	<ol style="list-style-type: none"> 高温性能：在200℃以上的高温环境下，硅橡胶仍能保持一定的柔韧性、回弹性和表面硬度，且力学性能无明显变化。 低温性能：硅橡胶的玻璃化温度为-70~-50℃，特殊配方可达到-100℃。 电气性能：硅橡胶具有优异的绝缘性能，耐电晕性和耐电弧性好。 物理机械性能：硅橡胶常温下的物理机械性能比通用橡胶差，但在150℃的高温-50℃的低温下，其物理机械性能优于通用橡胶。 耐油及化学试剂性：普通硅橡胶具有中等的耐油、耐溶剂性能。 <p>1. High temperature: above 200 °C high temperature environment, silicone rubber can still maintain a certain degree of flexibility, elasticity and hardness, and no significant changes in mechanical properties.</p> <p>2. Low temperature: silicone rubber glass transition temperature -70~-50 °C, special formulations could reach -100 degrees centigrade.</p> <p>3. Electrical performance: silicone rubber has excellent insulating properties, Corona resistance and good arc resistance.</p> <p>4. Physical and mechanical properties: mechanical properties of silicone rubber is not as good as common rubber at normal temperature. But it's much better than common rubber at 150 °C high temperature and the low temperature of -50 °C.</p> <p>5. Oil and chemical resistance: ordinary silicone is with moderate oil resistance and solvent resistance.</p>	<p>硅橡胶密封件在极限温度及压力下，有良好的适用性。</p> <p>Excellent high and low temperature properties. Fair physical properties.</p>
无石棉 Asbestos free	<p>具有高的拉伸强度，低的吸油性，同时具有良好的压缩性及回弹性，耐热性优良。</p> <p>It has high tensile strength, low oil absorption, good compressibility and resilience, and excellent heat resistance.</p>	<p>用于蒸汽、酸、碱、油类溶剂等介质，广泛用于化工、轻工、炼油、机械、汽车、煤气、天然气等行业。</p> <p>Used for steam, acid, alkali, oil solvent and other media, widely used in chemical industry, light industry, oil refining, machinery, automobile, gas, natural gas and other industries.</p>
PTFE 聚四氟乙烯	<p>优异的耐高低温性能，很好的电绝缘性能、耐候性、阻燃性良好，化学性能稳定。</p> <p>Excellent high and low temperature resistance, good electrical insulation, weather resistance, good flame retardancy, stable chemical properties.</p>	<p>用于化工、石油、纺织、电子电气、医疗、机械等领域。</p> <p>Used in chemical, petroleum, textile, electronic and electrical, medical, machinery and other fields.</p>
倍仕得特殊定制弹性体 The special customize rubber parts of Beisit.	<ol style="list-style-type: none"> 具有优异的绝缘性能，耐电晕性和耐电弧性良好。 具有良好的耐油、耐溶剂性能。 <p>1. Excellent insulation properties, good corona resistance, and arc resistance.</p> <p>2. Good oil and solvent resistance.</p>	<p>本产品多用于防爆等项目领域。</p> <p>Application for Explosion Proof, etc.</p>



各种材料特性与表面处理
Properties and Surface Treatment for Various Materials

名称牌号 Name	材料特性 Properties of Materials	应用 Application
尼龙 Nylon	<p>PA6</p> <p>碳纤维增强尼龙6符合材料具有优良的尺寸稳定性及优异的机械强度。能满足静电消散和静电放电防护的要求。材料经特殊配制，适用于从0到10欧姆的表面电阻范围，可用于注塑及挤出等成型。导电尼龙6有很多超越金属优点：零件质轻、强度高、耐腐蚀、耐磨、耐高温等特点。</p> <p>Carbon fiber reinforced nylon 6 conforms to the material with excellent dimensional stability and excellent mechanical strength. It can meet the requirements of electrostatic dissipation and electrostatic discharge protection. The material is specially formulated, suitable for the surface resistance range from 0 to 10 ohms, and can be used for injection molding and extrusion molding. Conductive nylon 6 has many advantages over metal: light parts, high strength, corrosion resistance, wear resistance, high temperature resistance and other characteristics.</p>	<p>广泛应用于机械、仪器仪表、电子、电器、铁路、家电、通讯、等电器工程。</p> <p>Widely used in machinery, instrumentation, electronic appliances, railways, home appliances, communications, and other electrical engineering.</p>
黄铜 Brass	<p>HPb59-1</p> <p>HPb59-1是应用较广的铅黄铜，可切削性好，有良好的力学性能，能承受冷、热压力加工，易纤焊和焊接，对一般腐蚀有良好的稳定性，但有腐蚀破裂倾向。</p> <p>HPb59-1 is a widely used lead brass with good machinability and good mechanical properties. It can withstand cold and hot pressure processing, it's easy to be wired and welded, and has good stability to general corrosion, but it has corrosion cracking tendency.</p>	<p>适于以热冲压和切削加工制作得各种结构零件，如螺钉、垫圈、衬套、螺帽、喷嘴等。</p> <p>It is suitable for various structural parts such as screws, washers, bushings, nuts, nozzles, etc. produced by hot stamping and cutting processing.</p>
	<p>H62</p> <p>在黄铜中加1%锡能显著改善铜的抗海水和海洋大气腐蚀的能力，因此称为海军黄铜；锡黄铜在海水中具有高的耐腐蚀性，有良好的力学性能，可切削性好，易焊接和纤焊。</p> <p>Adding 1% tin in brass can significantly improve the ability of copper to resist the corrosion of seawater and ocean atmosphere, so it is called navy brass; tin brass has high corrosion resistance in seawater, has good mechanical properties, and can be cut Good performance, easy to be welded and fiber welded.</p>	<p>在造船工业中广泛应用于制造与海水、汽油等接触的零件（表面无需镀镍处理）。</p> <p>In the shipbuilding industry, it is widely used to manufacture the parts which contact with sea water, gasoline, etc. (the surface do not need to be nickel-plated).</p>
不锈钢 Stainless Steel	<p>304</p> <p>作为一种用途广泛的钢，具有良好的耐蚀性、耐热性，低温强度和机械特性；冲压、弯曲等热加工性好，无热处理硬化现象（无磁性，使用温度-196℃-800℃）。</p> <p>As a widely used steel, it has good corrosion resistance, heat resistance, low temperature strength and mechanical properties; good hot workability such as stamping and bending, no heat treatment hardening phenomenon (non-magnetic, use temperature -196 °C -800 °C).</p>	<p>广泛应用于食品生产设备、汽车配件、医疗器具、建材、船舶部件等。</p> <p>Widely used in food production equipment, auto parts, medical appliances, building materials, ship parts, etc.</p>
	<p>316</p> <p>因添加钼，故其耐蚀性、耐大气腐蚀性和高温强度特别好，可在苛刻的条件下适用；加工硬化性优（无磁性）。</p> <p>Due to the addition of molybdenum, its corrosion resistance, atmospheric corrosion resistance and high temperature strength are particularly good, and it can be applied under harsh conditions; excellent work hardening (non-magnetic).</p>	<p>广泛应用于海水里用的设备、化工、染料、造纸、草酸、肥料等生产设备；食品工业、沿海地区设施、绳索、螺栓、螺母等。</p> <p>Widely used in the equipment which used in sea water, chemical industry, dyes, papermaking, oxalic acid, fertilizer and other production equipment; food industry, coastal facilities, ropes, bolts, nuts, etc.</p>
	<p>316L</p> <p>作为316钢种的低碳系列，除与316 钢有相同的特性外，其抗晶界腐蚀性优。</p> <p>As a low-carbon series of 316 steel, besides the same characteristics as 316 steel, it has excellent grain boundary corrosion resistance.</p>	<p>对抗晶界腐蚀性有特别要求的产品。</p> <p>Products with special requirements for anti-grain boundary corrosion.</p>

表面处理—黄铜镀镍说明 Surface treatment - notes for nickel plated brass

1. 电镀是利用电源能将镍阳离子转换成金属镍沉积到阳极上；黄铜镀镍是利用化学还原的方法，将镍阳离子还原成金属镍并沉积在基体（黄铜）表面上，赋予制品特殊的表面性能。
例如：赋予制品多种色彩、较强的耐腐蚀性/耐磨性，镀层结晶细致、平滑光亮、内应力小，导电性能极佳。

1. The electroplating is a process that uses electric current to transform Nickel cation into metal nickel deposition on the anode; Nickel-plated brass is a process that uses chemical reduction to reduce Nickel cations into metal nickel deposition on the surface of the substrate (brass), giving the special surface properties to the products. For example: giving products a variety of colors, strong corrosion resistance/wear resistance, exquisite crystallization on coating, smooth and bright, small internal stress and good electroconductivity.

2. 化学电镀是采用金属盐和还原剂，在材料表面上发生自催化反应获得镀层；黄铜镀镍是利用还原剂在活化零件（黄铜）表面上自催化还原沉积得到镀层。化学镀镍制品的主要特点是：镀层厚度均匀，致密性好，镀层附着力强、深度能力强、抗腐蚀能力好。

2. The electroless plating is a process that uses metal-salt and reducing agent to produce autocatalytic reaction on the material surface in order to obtain coating; Nickel-plated brass is a process that uses reducing agent to produce autocatalytic reduction deposition on activation parts (brass) surface in order to obtain coating. The main Properties of electroless nickel plated products are: well-distributed coating thickness, good compactness, coating adhesion, and plating depth capability, good corrosion resistance.

倍仕得可以为您提供两种镀镍形式 Beisit can provide you with two kinds of nickel plating methods

1. 电镀 1. Electroplating

2. 化学镀镍 2. Electroless nickel plating

备注：化学镀镍仿真能力强，能在复杂零件表面沉积，深度能力强，镀层厚度比电镀厚，镀层烧氢后无起皮、镍泡等缺陷，同时由于化学镀镍速度较慢，对未镀产品表面处理要求较高，成本相对电镀较高。

Note: Electroless nickel plating is much stronger by comparison. It bonds with the surface of complex parts, with strong depth capability, thicker coating than electroplating, no defects on the coating such as peeling, or nickel bubbling after the hydrogen burning. However, due to the slow speed, electroless nickel plating requires a better surface treatment of unplated products. So its cost is relatively higher than electroplating.

不锈钢 Stainless Steel



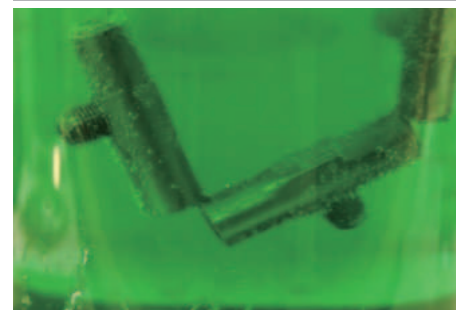
黄铜 Brass



电镀 Electroplating

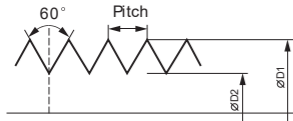


化学镀镍 Electroless plating



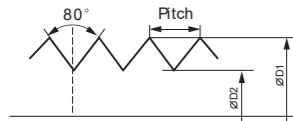
类型 Type	胶泥—（固态） Type 1(Solid)	AB树脂（液态） AB Resin(Liquid)
颜色 Color	A组份：天空蓝色； Component A: sky blue; B组份：晚霞红色。 Component B: sunset red.	A组份：淡黄色； Component A: yellowish; B组份：墨绿色。 Component B: dark green.
化学类型 Chemical type	环氧树脂、固化剂 Epoxy resin, curing agent	丙烯酸、固化剂 Acrylic, curing agent
性能参数 Performance parameters	(1)氧指数≥45 (2)滞燃性≤60mm (3)水密性：(0.098MPa保持1h) 不渗水 (4)密度：(20℃) 1.50-1.8g/cm ² (5)耐人造海水性：在人造海水中浸泡一个月无异常 (6)耐酸性：在10%HCL溶液中浸泡一个月无异常 (7)耐腐蚀性：在10%NaOH溶液中浸泡一个月无异常 (8)耐油性：在20#机油或0#柴油中浸泡一个月无异常 (9)对铜、铝、钢、不锈钢的腐蚀 无 (10)对塑料电缆护套的影响 无 (11)对橡胶塑料电缆护套的影响 无 (1)Oxygen index≥45 (2)Flame retardancy ≤60mm (3)Water tightness: (0.098MPa for 1h) impermeable (4)Density: (20℃) 1.50-1.8g/cm ² (5)Artificial seawater Resistance: no abnormality after soaking for one month (6)Acid resistance: no abnormality after soaking in 10%HCL solution for one month (7)Corrosion resistance: no abnormality after soaking in 10% NaOH solution for one month (8)Oil resistance: no abnormality after soaking in 20# engine oil or 0# diesel oil for one month (9)Corrosion of copper, aluminum, steel and stainless steel: none (10)Impact on plastic cable sheath: none (11)Impact on rubber plastic cable sheath: none	(1)密度：(20℃) 1.0-1.1g/cm ² (2)耐湿热老化性能：双85湿热老化30天无异常 (3)耐冷热交替循环性能： 80℃2H~20℃1H-40℃2H~20℃1H循环后无异常 (1)Density: (20℃) 1.0-1.1g/cm ² (2)Hygrothermal aging resistance: Double 85 hygrothermal aging for 30 days without abnormality (3)Cold and hot cycle resistance: 80℃2H~20℃1H-40℃2H~20℃1H, no abnormality after cycle
操作方法 Operation	(1)混合比例：将AB两组份化合物以重量1:1均匀揉至成胶泥本色，即可使用。 (2)操作时间：揉和好的填料必须在30分钟内使用完毕，以防硬固。 (3)固化时间：室温20℃ 2-3小时。 (1)Mixing ratio: Compound A and B at a weight of 1:1, the putty is only properly mixed when the two parts are hand moulded into an "natural color" (2)Operating time: The mixed putty must be used within 30 minutes in case hardening. (3)Curing time: 2-3 hours at 20 C at room temperature	(1)混合比例：将AB两组份化合物以重量1:1混合搅拌至胶泥本色，即可使用。 (2)操作时间：揉和好的填料必须在7分钟内使用完毕，以防硬固。 (3)固化时间：室温25℃ 2-3小时。 (1)Mixing ratio: Compound A and B at a weight of 1:1, the compound is only properly mixed when the two parts are stirred into an "natural color". (2)Operating time: The kneaded filler must be used within 7 minutes to prevent hardening. (3)Curing time: room temperature 25 C 2-3 hours
凝固后的机械性能 Mechanical properties after solidification	剪切应力：≤400Mpa Shear stress: ≤400Mpa	剪切应力：≥23 Mpa Shear stress: ≥23 Mpa
连续操作温度 (COT) Continuous operation temperature (COT)	-70℃~160℃	-65℃~180℃
材料特性 Properties of Materials	AB型防爆电缆密封胶泥是一种高科技的密封材料，它具有防爆、绝缘、阻燃、水密和耐压的多重特性。 AB type explosion-proof cable sealing glue is a high-tech sealing material, which has multiple characteristics of explosion-proof, insulation, flame-retardant, watertight and pressure resistance.	
应用领域 Application	广泛应用于一切水面船舶、战斗舰艇、电力部门、高层建筑、石油化工及防爆配电箱（柜）等其他场合的密封作用，同时也可以广泛用于金属、塑料管的密封和地下建筑、电缆贯穿部分的密封、防水、阻燃。 It's widely used in all kinds surface ships, combat ships, electric power departments, high-rise buildings, petrochemicals and explosion-proof distribution boxes (cabinet) and other occasions which need to be sealed. At the same time, it can also be widely used in sealing of metal and plastic pipes, and sealing, waterproof, smoke resistance of the penetrating part between underground buildings and cables.	

M型公制螺纹标准 (适用于全球大部分地区) Metric ISO Thread Specifications



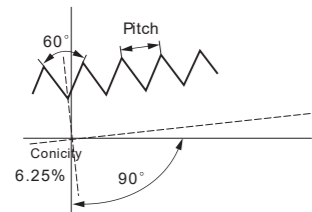
Size 螺纹规格	Pitch mm 牙距	Outside(∅D1) mm 螺纹外径	Inside(∅D2) mm 螺纹内径	Thru-hole mm 开口尺寸
M 12 x 1,5	1,5	12	10,13	12,2
M 16 x 1,5	1,5	16	14,13	16,2
M 20 x 1,5	1,5	20	18,13	20,2
M 25 x 1,5	1,5	25	23,13	25,2
M 32 x 1,5	1,5	32	30,13	32,3
M 40 x 1,5	1,5	40	38,13	40,3
M 50 x 1,5	1,5	50	48,13	50,4
M 63 x 1,5	1,5	63	61,13	63,4
M 75 x 2	2	75	71,8	75,5

PG螺纹标准 (主要适用于欧洲区域) PG Thread Specifications



Size 螺纹规格	Pitch mm 牙距	Outside(∅D1) mm 螺纹外径	Inside(∅D2) mm 螺纹内径	Thru-hole mm 开口尺寸
PG 7	1,270	12,5	11,28	12,7
PG 9	1,410	15,2	13,86	15,4
PG 11	1,410	18,6	17,26	18,8
PG 13,5	1,410	20,4	19,06	20,6
PG 16	1,410	22,5	21,16	22,7
PG 21	1,588	28,3	26,78	28,5
PG 29	1,588	37,0	35,48	37,3
PG 36	1,588	47,0	45,48	47,3
PG 42	1,588	54,0	52,48	54,4
PG 48	1,588	59,3	57,78	59,7

NPT标准螺纹 (主要适用于北美地区) NPT Thread Specifications



Size 螺纹规格	Pitch mm 牙距	Outside(∅D1) mm 螺纹外径	Pitch Number n 牙间距数量	Thru-hole mm 开口尺寸
1/4" NPT	1,411	13,716	18	13,9
3/8" NPT	1,411	17,145	18	17,3
1/2" NPT	1,814	21,336	14	21,5
3/4" NPT	1,814	26,67	14	26,9
1" NPT	2,208	33,4	11 1/2	33,7
1 1/4" NPT	2,208	42,164	11 1/2	42,5
1 1/2" NPT	2,208	48,26	11 1/2	48,6
2" NPT	2,208	60,325	11 1/2	60,7
2 1/2" NPT	3,175	73,025	8	73,4
3" NPT	3,175	88,9	8	89,3
3 1/2" NPT	3,175	101,6	8	102,0

覆盖层破坏类型的分类 Classification of the Types of Overlay Damage

评级 Grading	描述 Description
A	覆盖层损坏所致的斑点的颜色变化(与明显的基体金属腐蚀产物的颜色不同) The color change of spots resulting from damage to the coating layer (distinct from the color of visible base metal corrosion products)
B	很难看得见, 甚至看不见的覆盖层腐蚀所致的发暗 Subtle darkening caused by barely visible or even imperceptible coating layer corrosion
C	阳极性覆盖层的腐蚀产物 Corrosion products of anodic coatings
D	阴极性覆盖层的腐蚀产物 Corrosion products of cathodic coatings
E	表面点蚀(腐蚀坑可能未扩展到基体金属) Surface pitting (corrosion pits may not extend to the base metal)
F	碎落, 起皮, 剥落 laking, peeling, delamination
G	鼓泡 Blistering
H	开裂 Cracking
I	龟裂 Checking
J	鸡爪状或星状缺陷 Crow's foot or star-shaped defects

油漆涂层腐蚀程度对照表 Corrosion Degree Comparison Table of Paint Coatings

评级 Grading	简述 Brief Description	判定标准 Evaluation Criteria
一级 Grade 1	轻微变色 Slight discoloration	漆膜无气泡, 生锈、脱落、点蚀、裂纹等现象 Coating free from blistering, rusting, flaking/peeling, pitting, or cracking
二级 Grade 2	明显变色 Noticeable discoloration	漆膜表面起微泡面积小于50%局部小泡面积在4%以下;中泡面积在1%以下; 锈点直径在0.5mm 以下;漆膜无脱落 Micro-blistering covering <50% surface area.Localized small blisters <4% area. Medium blisters <1% area.Rust spots with diameter <0.5mm.Coating free from flaking/peeling
三级 Grade 3	严重变色 Severe discoloration	漆膜表面起微泡面积超过50%;小泡面积在5%以上;出现大泡锈点面积在2%以上; 漆膜出现脱落现象 Micro-blistering >50% surface area.Small blisters >5% area. Large blisters and/or rust spots >2% area.Presence of flaking/peeling

连续雾化时间表 Continuous atomization time schedule

NO.	材质 Material	表面处理方式 Surface treatment method	连续雾化时间 Continuous atomization time
1	铜 Copper	镀镍 Nickel plating	12h
		镀锡 Tin plating	8h
		先镀镍再镀锡 Nickel plating first, then tin plating	24h
		镀金 Gold plating	24h
2	冷轧钢板 SPCC	喷粉末涂料 Spray powder coating	96h
		喷油漆 Spray paint	48h
3	不锈钢 Stainless Steel	304	72h
		316	120h
		316L	168h

增安型防爆箱
Ex e explosion-proof box



增安型防爆箱选型指南
Selection Guide for Increased-safety Type Explosion-proof Boxes

→ BST50/51系列 Series

产品名称 Product Name	产品系列 Product Series	材质 Material	密封材质 Sealing Material	认证类别 Certification Category	防爆标志 Ex-Mark	防护等级 Degree of Protection	温度范围 Temperature Range	箱体编号 Box Number	详细页码 Page Number	图片 Pictures
防爆空箱 (盒) Explosion-proof empty box (case)	BST5010E 系列 Series	铸铝 Cast Aluminium (ADC12)	硅胶 Silicone Rubber	IECEX CCC 防爆合格证 Qualification	Ex eb II C Gb Ex tb III C Db	IP66	工作温度: -55℃~+130℃	1#~29#	P1-P10	
	BST5020E 系列 Series	玻璃纤维增强聚酯 Glass Fiber Reinforced Polyester	硅胶 Silicone Rubber					1#~21#	P1-P11	
	BST5030E 系列 Series	不锈钢 Stainless Steel (304/316/316L)	PU 点胶硅胶 平板硅胶 Dispensing Silicone Rubber Normal Silicone Rubber					1#~17#	P1-P12	
防爆接线箱 (盒) Explosion-proof junction box (case)	BST5110E 系列 Series	铸铝 Cast Aluminium (ADC12)	硅胶 Silicone Rubber	IECEX ATEX CCC 防爆合格证 Qualification	Ex eb II C T6/T5/T4 Gb Ex ia II C T6/T5/T4 Ga Ex ib II C T6/T5/T4 Gb Ex tb III C T80°C/T95°C/T130°C Db ⊕ II 2 G Ex eb II C T6/T5/T4 Gb ⊕ II 1 G Ex ia II C T6/T5/T4 Ga ⊕ II 2 G Ex ib II C T6/T5/T4 Gb ⊕ II 2 D Ex tb III C T80°C/T95°C/T130°C Db	IP66	环境温度: T6(-55℃≤Ta≤+40℃) T5(-55℃≤Ta≤+55℃) T4(-55℃≤Ta≤+60℃)	1#~29#	P1-P10	
	BST5120E 系列 Series	玻璃纤维增强聚酯 Glass Fiber Reinforced Polyester	硅胶 Silicone Rubber					1#~21#	P1-P11	
	BST5130E 系列 Series	不锈钢 Stainless Steel (304/316/316L)	PU 点胶硅胶 平板硅胶 Dispensing Silicone Rubber Normal Silicone Rubber					1#~17#	P1-P12	

型号含义 Model Meaning

BST	□	□	□	□	□	□
倍仕得 BEISIT	名称 Name 5: 接线箱 (盒) Junction box (box)	属性 Quality 0: 空箱 Empty Container 1: 整机 Complete Machine	材质 Material 10: 铸铝 Cast Aluminium(ADC12) 20: 玻璃纤维增强聚酯 Glass Fiber Reinforced Polyester 30: 不锈钢 Stainless steel (304、316、316L)	箱体尺寸代码 Box Size Code 01" 02" 03"	结构形式 Structure Form 1: 螺钉式 Screw type 2: 螺钉+铰链式 Screw + Hinge Type 3: 锁+铰链式 Lock + Hinge Type	功能类别 Function Category E: 增安型(Exe)








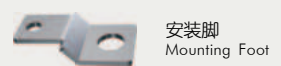
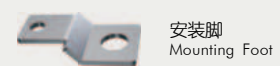
举例: 01#空箱尺寸64*58*36mm, 型号即为: BST5010011E
For Example: 01# box size 64*58*36mm, the model is: BST5010011E

防爆空箱 (盒) 性能表
Performance Table of Explosion-proof Empty Box (Case)



→ BST5010/20/30E系列 Series

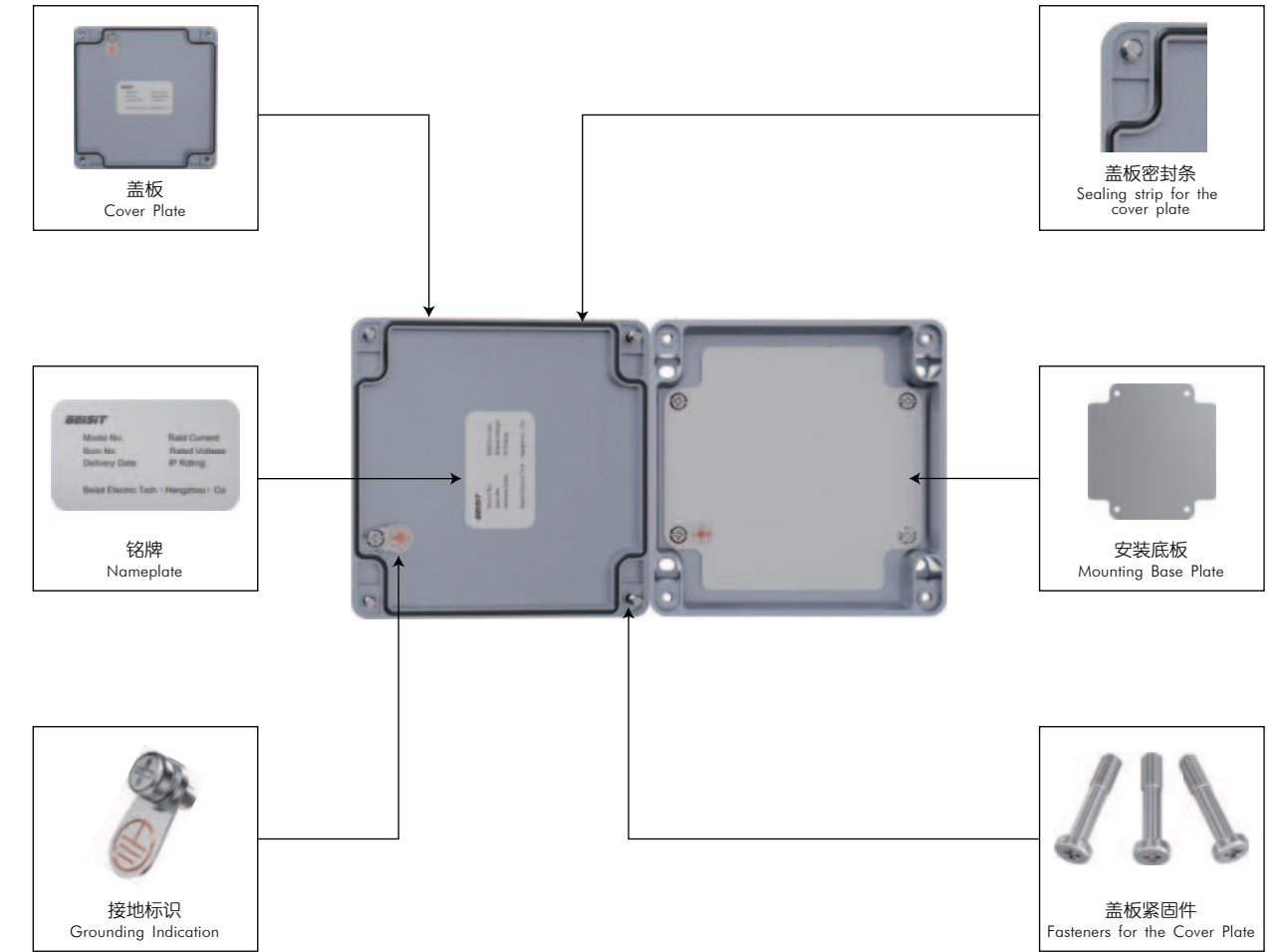


产品系列 Product Series	 BST5010E系列	 BST5020E系列	 BST5030E系列
材料 Material	铸铝系列 Ex Cast Aluminium Series	玻璃纤维增强聚酯系列 Glass Fiber Reinforced Polyester Series	不锈钢系列 Ex SS Series
密封条 Sealing Strip	硅胶 Silicone	硅胶 Silicone	硅胶 Silicone/PU
表面处理 Surface Treatment	喷塑 Spraying Plastics	/	抛光/拉丝 Polishing/Brushing
环境 Working Environment	室内、室外、石油化工 Indoor, Outdoor, Petrochemical Industry	室内、室外、石油化工、海洋工程 Indoor, Outdoor, Petrochemical Industry, Ocean Engineering	室内、室外、石油化工、海洋工程、食品、低温/高温 Indoor, Outdoor, Petrochemical Industry, Ocean Engineering, Food Industry, High/Low Temperature
优势 Advantages	免维护、重量轻、强度高 Maintenance-Free, Light-Weight, High Strength	免维护、重量轻、绝缘性好 Maintenance-Free, Light-Weight, Excellent Electrical Insulation	免维护、强度高、耐低温、耐高温 Maintenance-Free, High Strength Low Temperature Resistant, High Temperature Resistant
防化学腐蚀 Degree of Chemical Corrosion Resistance	好 Good	很好 Excellent	很好 Excellent
防海水腐蚀 Degree of Seawater Corrosion Resistance	好 Good	很好 Excellent	很好 Excellent
防紫外线 Degree of UV-Proof	很好 Excellent	好 Good	很好 Excellent
特点 Specifications			
最低工作温度 Min Working Temperature	❄️ -55℃	❄️ -55℃	❄️ -55℃
最高工作温度 Max Working Temperature	☀️ 130℃	☀️ 130℃	☀️ 130℃
抗冲击力 Impact Resistant	7J	7J	10J
IP防护等级 IP Degree of Protection	IP66	IP66	IP66
尺寸 Dimensions			
长x宽x高 (最小) H*W*D(min) mm	64*58*36mm	80*75*55mm	100*100*60mm
长x宽x高 (最大) H*W*D(max) mm	600*310*110mm	810*400*210mm	1200*1200*400mm
附件 Accessories	 铭牌 Nameplate 安装底板 Mounting Base Plate 接地标识 Grounding Identification		 铭牌 Nameplate 安装底板 Mounting Base Plate 接地标识 Grounding Identification
	 盖板紧固件 Fasteners for the Cover Plate		 盖板紧固件 Fasteners for the Cover Plate
	 安装脚 Mounting Foot	/	 安装脚 Mounting Foot

防爆空箱 (盒)
Explosion-proof empty box (Case)



→ BST5010E系列 Series



产品描述 Product Description

- 外壳采用铝合金材质，表面进行喷涂纯环氧树脂粉末，外露紧固件为不锈钢材质。
- 组成部分：安装底板、接地标识、盖板紧固件、盖板密封条、铭牌。
- 内部无任何的电器元器件，箱体上无任何的开孔并不带电缆固定头。

产品特点 Product Feature

- 认证类别：IECEX、CCC、防爆合格证。
- 防护等级：IP66。
- 工作温度：-55℃~+130℃。
- 适用于爆炸性气体环境1区、2区；爆炸性粉尘环境21区、22区。
- 广泛用于石油开采、炼油、化工、油轮等易燃易爆气体环境，也可用于纤维、面粉、金属加工等可燃性粉尘场所。

防爆空箱 (盒)
Explosion-proof empty box (Case)



→ BST5010E系列 Series

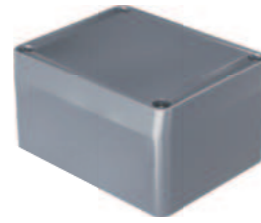
适用范围 Scope of application : 爆炸性气体环境1区、2区; 爆炸性粉尘环境21区、22区
Zone 1 and Zone 2 in explosive gas atmospheres;
Zone 21 and Zone 22 in explosive dust atmospheres.

防护等级 Protection Level : IP66

抗冲击性能 Impact Resistance : 7J

工作温度 Operating Temperature : -55°C~+130°C

材料 Material : 铸铝 Cast Aluminium(ADC12)



认证数据 Authentication Certificate			
认证类别 Certification Category	防爆标志 Ex-Mark	认证类别 Certification Category	防爆标志 Ex-Mark
IECEX证书 IECEx Certificate	Ex eb IIC Gb Ex tb IIIC Db	CCC证书 CCC Certificate	Ex eb IIC Gb Ex tb IIIC Db
防爆合格证 Certificate	Ex eb IIC Gb Ex tb IIIC Db		

组件数据-标配 Configuration components-Standard		
图样 Pattern	名称 Item	材料 Material
	安装底板 Mounting Base Plate	镀锌钢板 Galvanized steel sheet
	接地标识 Grounding Indication	304不锈钢 Stainless Steel
	铭牌 Nameplate	不干胶 Self-adhesive Sticker
	盖板紧固件 Fasteners for the Cover Plate	304不锈钢 Stainless Steel
	盖板密封条 Sealing strip for the cover plate	硅胶 Silicone

防爆空箱 (盒)
Explosion-proof empty box (Case)

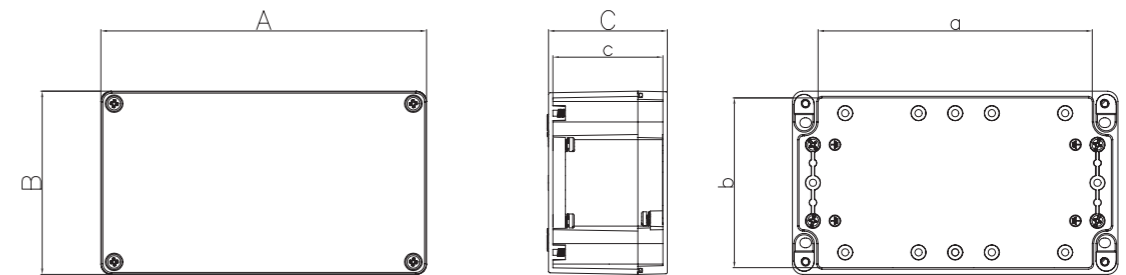


→ BST5010E系列 Series

尺寸数据 Size Table of Explosion-proof Empty Boxes

序号 Serial Number	外形尺寸 Overall Dimensions (mm)			内部尺寸 Internal Dimensions (mm)			重量 Weight (kg)	容积 Volume (cm³)	订货号 Order no
	长 long (A)	宽 wide (B)	高 high (C)	长 long (a)	宽 wide (b)	高 high (c)			
1#	64	58	36	56	50	28	0.15	100	BST5010011E
2#	98	64	36	90	56	28	0.21	200	BST5010021E
3#	150	64	36	142	56	28	0.3	300	BST5010031E
4#	115	65	55	107	57	47	0.32	400	BST5010041E
5#	82	77	57	74	69	49	0.28	400	BST5010051E
6#	127	82	57	119	74	49	0.4	600	BST5010061E
7#	175	80	57	167	72	49	0.5	800	BST5010071E
8#	250	80	57	242	72	49	0.64	1100	BST5010081E
9#	108	80	60	100	72	52	0.35	500	BST5010091E
10#	140	80	60	132	72	52	0.42	700	BST5010101E
11#	100	100	80	92	92	72	0.49	800	BST5010111E
12#	160	100	80	152	92	72	0.67	1300	BST5010121E
13#	200	100	80	192	92	72	0.92	1600	BST5010131E
14#	125	125	80	117	117	72	0.79	1300	BST5010141E
15#	360	120	80	352	112	72	1.93	3500	BST5010151E
16#	220	125	80	212	117	72	1.11	2200	BST5010161E
17#	220	140	90	212	132	82	1.87	2800	BST5010171E
18#	160	160	90	152	152	82	1.385	2300	BST5010181E
19#	260	160	90	252	152	82	1.95	3700	BST5010191E
20#	360	160	90	352	152	82	2.52	5200	BST5010201E
21#	560	160	90	552	152	82	2.92	8100	BST5010211E
22#	280	180	100	272	172	92	2.49	5000	BST5010221E
23#	180	180	101	172	172	93	1.83	3300	BST5010231E
24#	230	200	110	222	192	102	2.39	5100	BST5010241E
25#	280	230	110	272	222	102	2.73	7100	BST5010251E
26#	330	230	120	322	222	112	3.32	9100	BST5010261E
27#	400	230	110	392	222	102	3.78	10100	BST5010271E
28#	403	313	111	395	305	103	5.77	14000	BST5010281E
29#	600	310	110	592	302	102	8.82	20500	BST5010291E

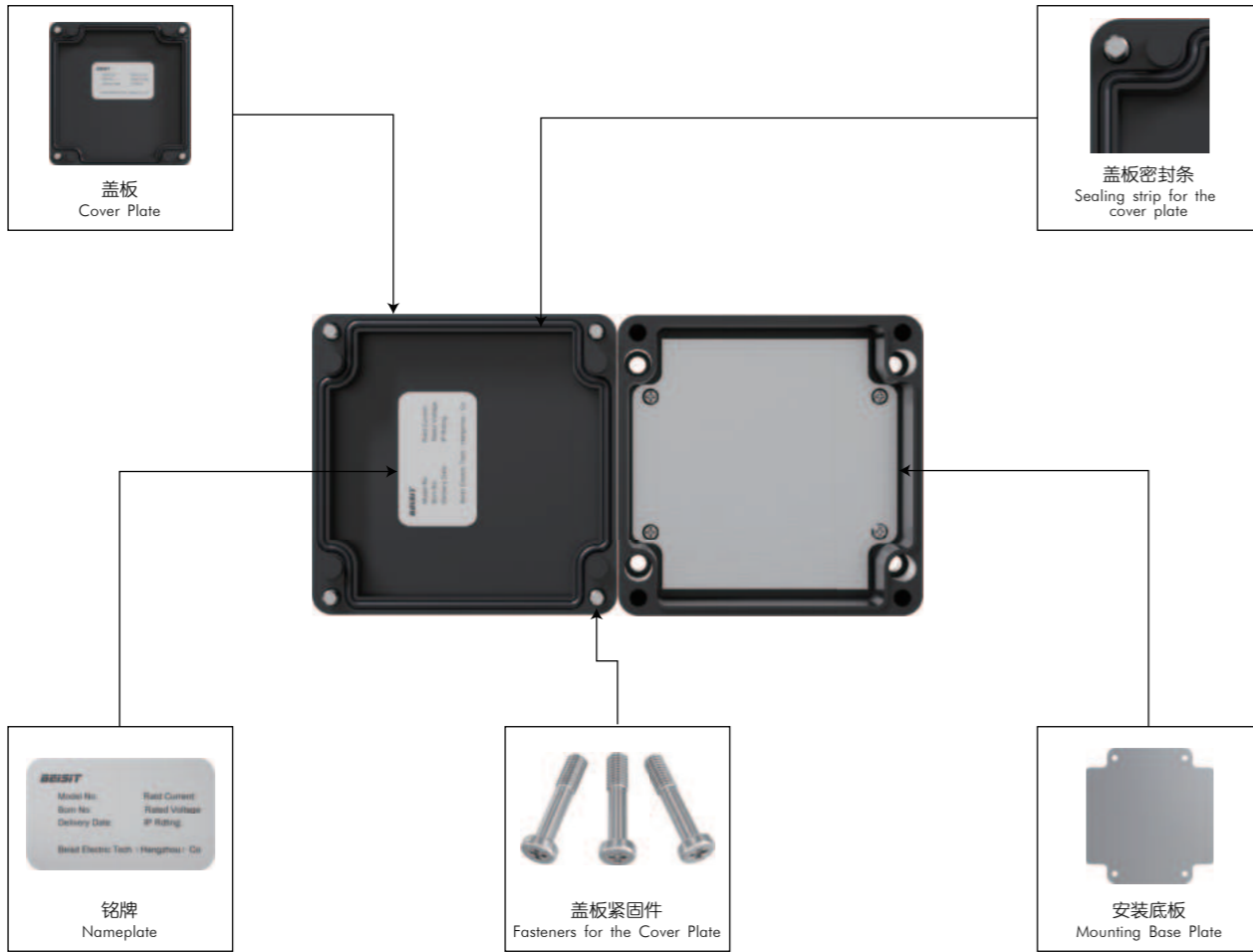
外形尺寸 Outline drawing



防爆空箱 (盒)
Explosion-proof empty box (Case)



→ BST5020E系列 Series



产品描述 Product Description

1. 外壳采用耐冲击的玻璃纤维增强聚酯材料制成，外露紧固件为不锈钢材质。
2. 组成部分：安装底板、接地标识、盖板紧固件、盖板密封条、铭牌。
3. 内部无任何的电器元器件，箱体上无任何的开孔并不带电缆固定头。
1. The enclosure is made of impact-resistant glass fiber reinforced polyester material, and the exposed fasteners are made of stainless steel.
2. Components: mounting base plate, grounding mark, cover plate fasteners, cover plate sealing strip, nameplate.
3. There are no electrical components inside. There are no openings on the box body, and it does not come with cable glands.

产品特点 Product Feature

1. 认证类别：IECEX、CCC、防爆合格证。
2. 防护等级：IP66。
3. 工作温度：-55℃~+130℃。
4. 适用于爆炸性气体环境1区、2区；爆炸性粉尘环境21区、22区。
5. 广泛用于石油开采、炼油、化工、油轮等易燃易爆气体环境，也可用于纤维、面粉、金属加工等可燃性粉尘场所。
1. Certification categories: IECEX, ATEX, CCC, Explosion-proof Certificate of Conformity.
2. Protection level: IP66.
3. Operating temperature: -55 C to +130 C.
4. It is suitable for Zone 1 and Zone 2 of explosive gas environments, as well as Zone 21 and Zone 22 of explosive dust environments.
5. It is widely used in flammable and explosive gas environments such as oil extraction, oil refining, chemical industry, and oil tankers. It can also be applied in places with combustible dust, such as in the processing of fibers, flour, and metals.

防爆空箱 (盒)
Explosion-proof empty box (Case)



→ BST5020E系列 Series



适用范围 Scope of application : 爆炸性气体环境1区、2区；爆炸性粉尘环境21区、22区
Zone 1 and Zone 2 in explosive gas atmospheres;
Zone 21 and Zone 22 in explosive dust atmospheres.

防护等级 Protection Level : IP66

抗冲击性能 Impact Resistance : 7J

工作温度 Operating Temperature : -55℃~+130℃

材料 Material : 玻璃纤维增强聚酯
Glass Fiber Reinforced Polyester



认证数据 Authentication Certificate

认证类别 Certification Category	防爆标志 Ex-Mark	认证类别 Certification Category	防爆标志 Ex-Mark
IECEX证书 IECEX Certificate	Ex eb IIC Gb Ex tb IIIC Db	CCC证书 CCC Certificate	Ex eb IIC Gb Ex tb IIIC Db
防爆合格证 Certificate	Ex eb IIC Gb Ex tb IIIC Db		

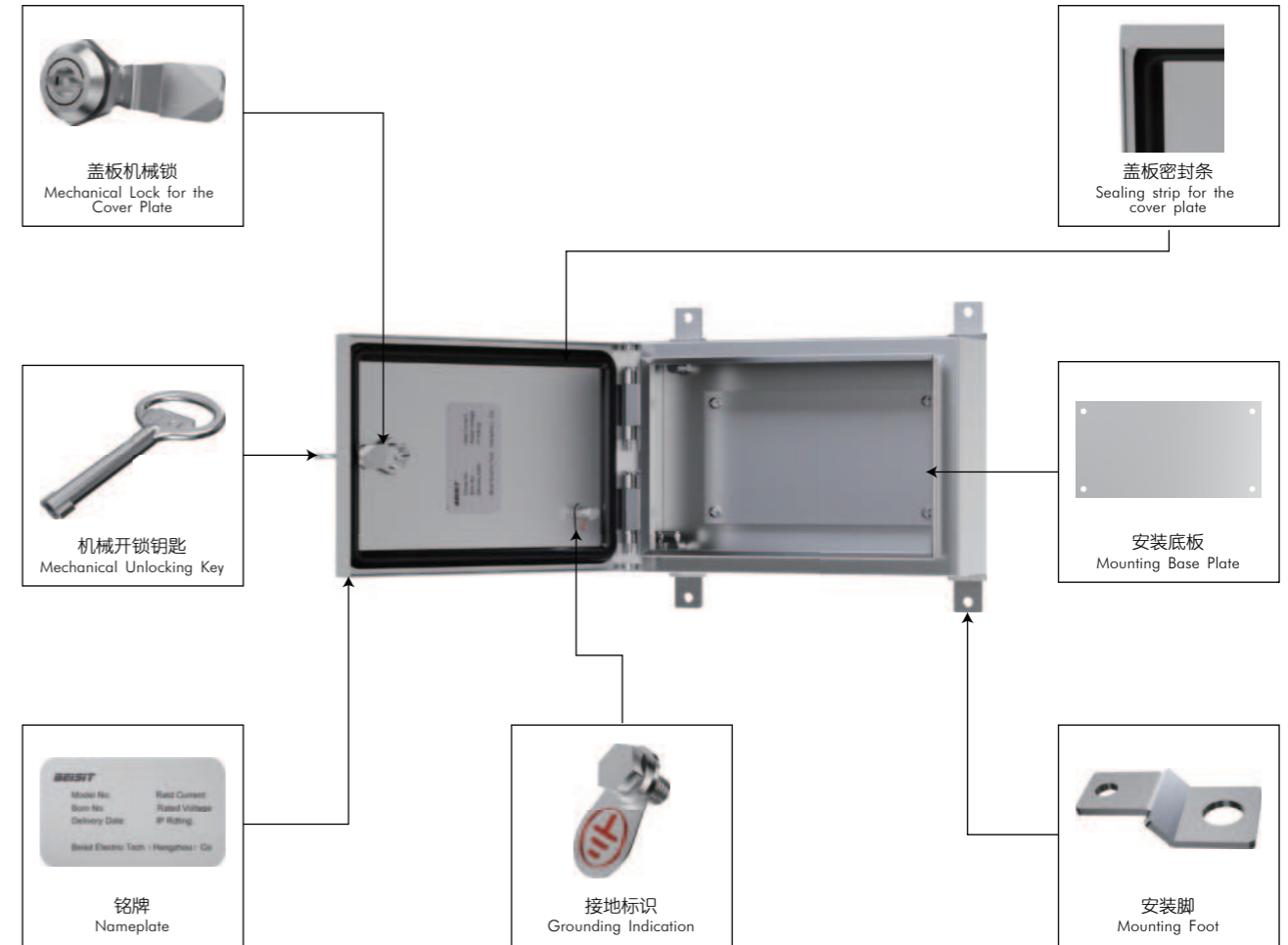
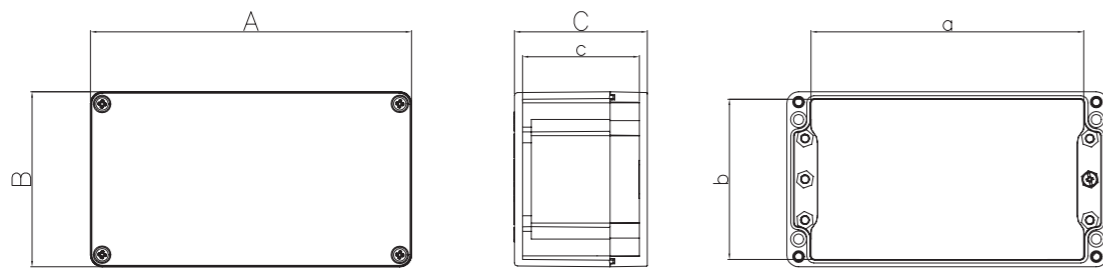
组件数据-标配 Configuration components-Standard

图样 Pattern	名称 Item	材料 Material
	安装底板 Mounting Base Plate	镀锌钢板 Galvanized steel sheet
	铭牌 Nameplate	不干胶 Self-adhesive Sticker
	盖板紧固件 Fasteners for the Cover Plate	304不锈钢 Stainless Steel
	盖板密封条 Sealing strip for the cover plate	硅胶 Silicone

尺寸数据 Size Table of Explosion-proof Empty Boxes

序号 Serial Number	外形尺寸 Overall Dimensions (mm)			内部尺寸 Internal Dimensions (mm)			重量 Weight (kg)	容积 Volume (cm ³)	订货号 Order no
	长 long (A)	宽 wide (B)	高 high (C)	长 long (a)	宽 wide (b)	高 high (c)			
1#	80	75	75	71	66	66	0.23	500	BST5020011E
2#	110	75	75	101	66	66	0.36	600	BST5020021E
3#	160	75	75	151	66	66	0.46	900	BST5020031E
4#	190	75	75	181	66	66	0.53	1100	BST5020041E
5#	230	78	78	221	66	66	0.67	1300	BST5020051E
6#	122	120	91	113	111	82	0.75	1300	BST5020061E
7#	220	120	91	211	111	82	1.06	2400	BST5020071E
8#	160	160	91	148	148	79	1.29	2300	BST5020081E
9#	260	160	91	248	148	79	1.71	3800	BST5020091E
10#	360	360	91	348	348	79	4.2	11800	BST5020101E
11#	560	160	91	548	148	79	3.185	8200	BST5020111E
12#	360	160	91	348	148	79	2.15	5200	BST5020121E
13#	255	250	121	243	238	109	2.65	7700	BST5020131E
14#	400	250	121	388	238	109	3.65	12100	BST5020141E
15#	600	250	121	588	238	109	5.235	18200	BST5020151E
16#	255	250	161	243	238	149	3.275	10300	BST5020161E
17#	400	250	161	388	238	149	4.8	16100	BST5020171E
18#	405	400	201	396	391	192	6.65	32600	BST5020181E
19#	400	400	210	388	388	198	6.75	33600	BST5020191E
20#	160	160	120	148	148	108	1.35	3100	BST5020201E
21#	810	400	210	798	388	198	13.9	68000	BST5020211E

外形尺寸 Outline drawing



产品描述 Product Description

1. 外壳采用不锈钢(304、316、316L)表面拉丝处理, 外露紧固件为不锈钢材质。
 2. 螺钉结构时组成部件: 安装底板、安装脚、接地标识、盖板紧固件、盖板密封条、铭牌。
 3. 螺钉铰链结构时组成部件: 安装底板、安装脚、接地标识、盖板紧固件、铰链、盖板密封条、铭牌。
 4. 门锁铰链结构时组成部件: 安装底板、安装脚、接地标识、门锁、铰链、盖板密封条、铭牌。
 5. 内部无任何的电器元器件, 箱体上无任何的开孔并不带电缆固定头。
1. The shell is made of stainless steel (304, 316, 316L) and has a brushed surface treatment. The exposed fasteners are made of stainless steel material.
 2. Components in the screw structure: installation base plate, mounting foot, grounding mark, cover plate fastener, cover plate sealing strip, nameplate.
 3. Components in the screw hinge structure: installation base plate, mounting foot, grounding mark, cover plate fastener, hinge, cover plate sealing strip, nameplate.
 4. Components in the door lock hinge structure: installation base plate, mounting foot, grounding mark, door lock, hinge, cover plate sealing strip, nameplate.
 5. There are no electrical components inside. There are no openings on the box body, and it does not come with a cable gland.

产品特点 Product Feature

1. 认证类别: IECEx、CCC、防爆合格证。
 2. 防护等级: IP66。
 3. 工作温度: -55℃~+130℃。
 4. 适用于爆炸性气体环境1区、2区; 爆炸性粉尘环境21区、22区。
 5. 广泛用于石油开采、炼油、化工、油轮等易燃易爆气体环境, 也可用于纤维、面粉、金属加工等可燃性粉尘场所。
1. Certification Categories: IECEx, ATEX, CCC, Explosion-proof Certificate of Conformity.
 2. Protection level: IP66.
 3. Operating temperature: -55°C to +130°C.
 4. It is suitable for Zone 1 and Zone 2 of explosive gas environments, as well as Zone 21 and Zone 22 of explosive dust environments.
 5. It is widely used in flammable and explosive gas environments such as oil extraction, oil refining, chemical industry, and oil tankers. It is also applicable to places with combustible dust, such as in the processing of fibers, flour, and metals.

防爆空箱 (盒)
Explosion-proof empty box (Case)



→ BST5030E系列 Series



适用范围 Scope of application : 爆炸性气体环境1区、2区; 爆炸性粉尘环境21区、22区
Zone 1 and Zone 2 in explosive gas atmospheres;
Zone 21 and Zone 22 in explosive dust atmospheres.

防护等级 Protection Level : IP66

抗冲击性能 Impact Resistance : 7J

工作温度 Operating Temperature : -55°C~+130°C

材料 Material : 不锈钢 Stainless Steel (304、316、316L)



认证数据 Authentication Certificate			
认证类别 Certification Category	防爆标志 Ex-Mark	认证类别 Certification Category	防爆标志 Ex-Mark
IECEX证书 IECEX Certificate	Ex eb IIC Gb Ex tb IIIC Db	CCC证书 CCC Certificate	Ex eb IIC Gb Ex tb IIIC Db
防爆合格证 Certificate	Ex eb IIC Gb Ex tb IIIC Db		

组件数据-标配 Configuration components-Standard		
图样 Pattern	名称 Item	材料 Material
	安装底板 Mounting Base Plate	镀锌钢板 Galvanized steel sheet
	接地标识 Grounding Indication	304不锈钢 Stainless Steel
	铭牌 Nameplate	不干胶 Self - adhesive Sticker
	盖板紧固件 Fasteners for the Cover Plate	304不锈钢 Stainless Steel
	盖板密封条 Sealing strip for the cover plate	PU/硅胶 Silicone
	安装脚 Mounting Foot	304不锈钢 Stainless Steel
	机械开锁钥匙 Mechanical Unlocking Key	304不锈钢 Stainless Steel
	盖板机械锁 Mechanical Lock for the Cover Plate	304不锈钢 Stainless Steel
	铰链 Hinge	304不锈钢 Stainless Steel

防爆空箱 (盒)
Explosion-proof empty box (Case)

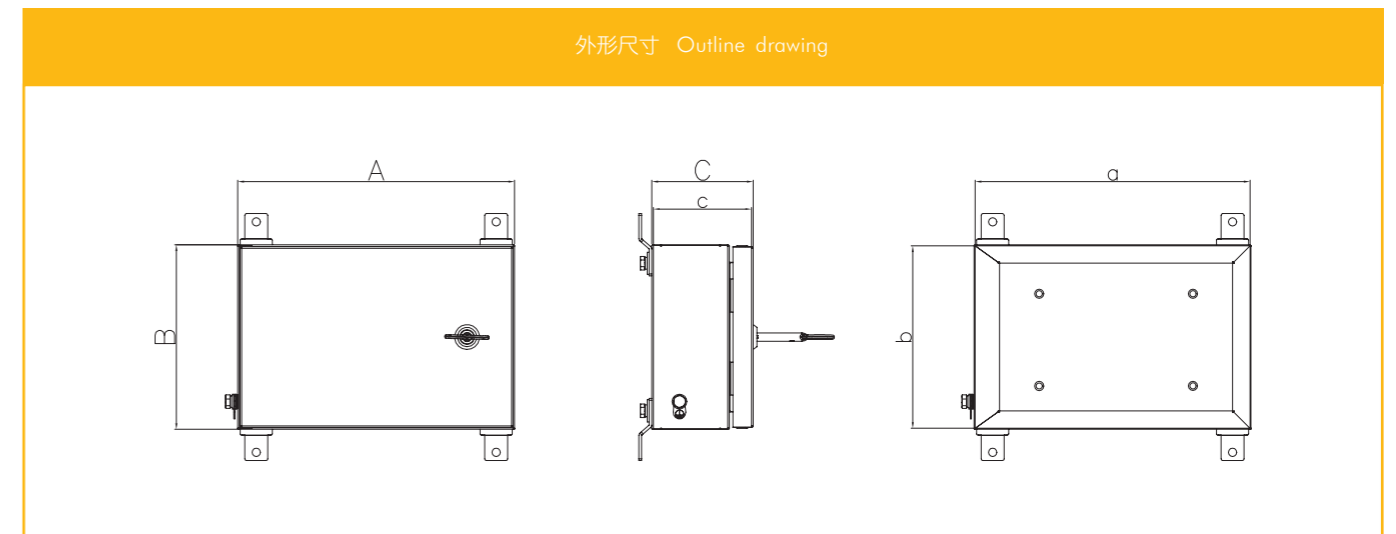


→ BST5030E系列 Series



尺寸数据 Size Table of Explosion-proof Empty Boxes

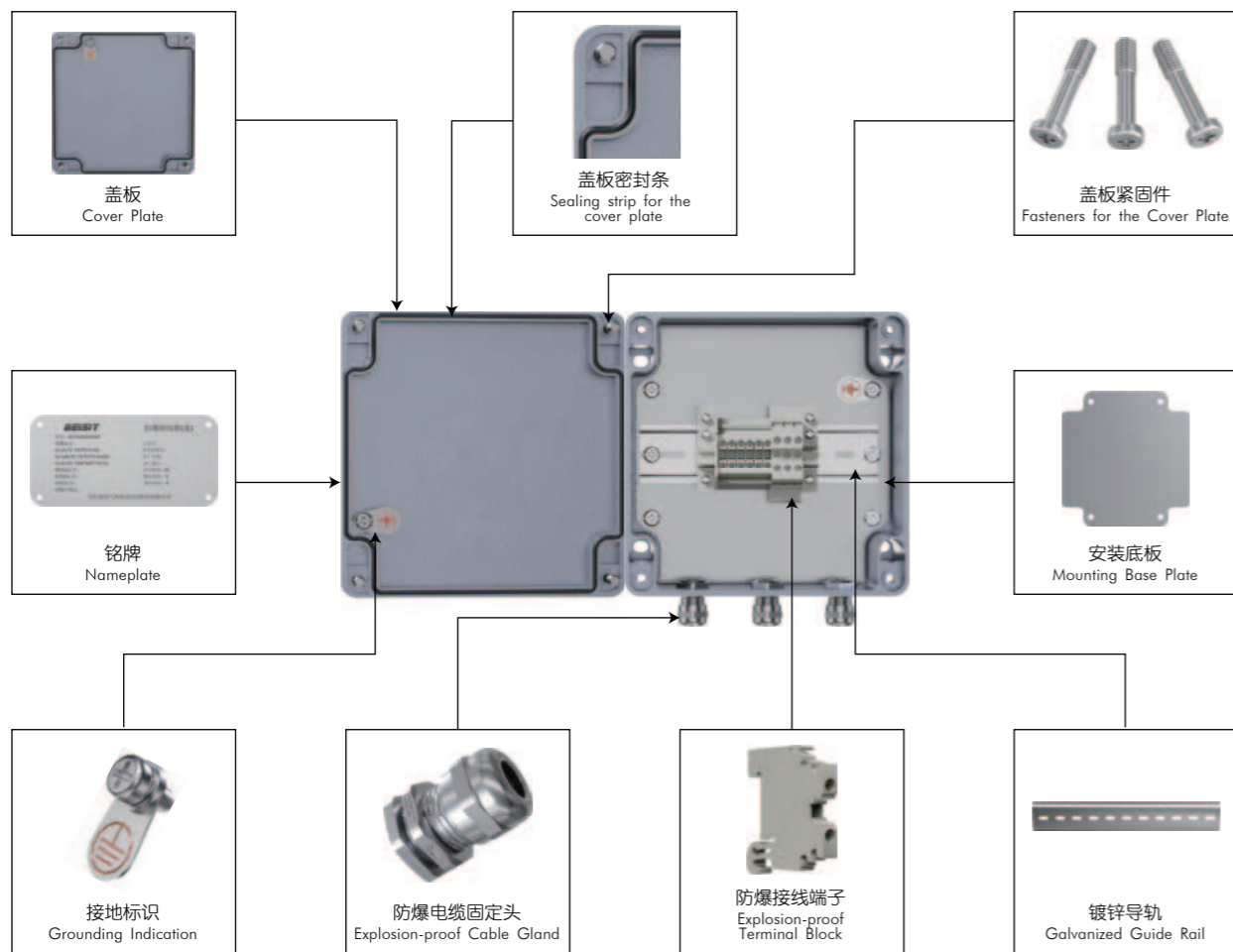
序号 Serial Number	外形尺寸 Overall Dimensions (mm)			内部尺寸 Internal Dimensions (mm)			重量 Weight (kg)	容积 Volume (cm³)	订货号 Order no
	长 long (A)	宽 wide (B)	高 high (C)	长 long (a)	宽 wide (b)	高 high (c)			
1#	100	100	60	97	97	57	0.44	600	BST5030011E
2#	150	150	80	147	147	77	0.96	1800	BST5030021E
3#	200	150	80	197	147	77	1.35	2400	BST5030031E
4#	300	200	110	297	197	107	3	6600	BST5030041E
5#	400	200	150	397	197	147	4.6	12000	BST5030051E
6#	400	400	150	397	397	147	7.4	24000	BST5030061E
7#	400	400	210	397	397	207	8.7	33600	BST5030071E
8#	500	400	150	497	397	147	8.5	30000	BST5030081E
9#	500	500	210	497	497	207	8.9	52500	BST5030091E
10#	600	400	210	596	396	206	9.8	50400	BST5030101E
11#	700	400	210	696	396	206	10.1	58800	BST5030111E
12#	700	700	300	696	696	296	11.8	147000	BST5030121E
13#	800	600	300	796	596	296	12.1	144000	BST5030131E
14#	1000	800	300	996	796	296	16.9	240000	BST5030141E
15#	800	800	400	796	796	396	14.8	256000	BST5030151E
16#	900	900	400	896	896	396	17.4	324000	BST5030161E
17#	1200	1200	400	1196	1196	396	20.4	576000	BST5030171E



防爆接线箱 (盒)
Explosion-proof junction box (case)



→ BST5110E系列 Series



产品描述 Product Description

1. 外壳采用铝合金材质，表面进行喷涂纯环氧树脂粉末，外露紧固件为不锈钢材质。
 2. 组成部分：安装底板、安装脚、接地标识、盖板紧固件、盖板密封条、铭牌、导轨（防爆接线端子、防爆呼吸阀、防爆电缆固定头可根据客户要求配置，客户也可自购自装）。
1. The shell is made of aluminum alloy, and its surface is sprayed with pure epoxy resin powder. The exposed fasteners are made of stainless steel.
 2. Components: installation base plate, mounting foot, grounding mark, cover plate fastener, cover plate sealing strip, nameplate, guide rail. (Explosion-proof terminal blocks, explosion-proof breather valves, and explosion-proof cable glands can be configured according to customer requirements. Customers can also purchase and install them by themselves).

产品FAB The FAB of the product

特点 Peculiarity	工作环境温度 Working environment temperature: -55℃~+130℃, 测试温度 Testing temperature: -60℃~+150℃ 防爆接线箱带本安型认证 The explosion-proof junction box has intrinsic safety type certification, Ex ib IIC T6/T5/T4 Gb 防护等级 Protection level: IP66
优点 Strength	国内外证书齐全: IECEx、ATEX、CCC、防爆合格证。 It has a full range of domestic and foreign certificates, such as IECEx, ATEX, CCC and Explosion-proof Certificate. 规格种类齐全，一共有29种规格，最小规格是64x58x36mm，最大规格是600x310x110mm。 There are 29 specifications in total, ranging from the smallest 64x58x36mm (unit unspecified) to the largest 600x310x110mm (unit unspecified).
价值 Value	产品系列齐全，根据客户需求，可选最具性价比的产品。 There is a complete product series. According to customers' needs, the most cost-effective products can be selected.

防爆接线箱 (盒)
Explosion-proof junction box (case)



→ BST5110E系列 Series



适用范围 Scope of application :

爆炸性气体环境0区、1区、2区；爆炸性粉尘环境21区、22区
Zone 0, Zone 1 and Zone 2 in explosive gas atmospheres;
Zone 21 and Zone 22 in explosive dust atmospheres.

防护等级 Protection Level :

IP66

抗冲击性能 Impact Resistance :

7J

使用环境温度 Operating ambient temperature :

-55℃≤Ta≤+40℃/+55℃/+60℃

额定电压 Rated voltage :

最大 Max. AC1100V

额定电流 Rated current :

最大 Max. 350A

材料 Material :

铸铝 Cast Aluminium(ADC12)



认证数据 Authentication Certificate

认证类别 Certification Category	防爆标志 Ex-Mark	认证类别 Certification Category	防爆标志 Ex-Mark
IECEx证书 IECEx Certificate	Ex eb IIC T6/T5/T4 Gb Ex ia IIC T6/T5/T4 Ga Ex ib IIC T6/T5/T4 Gb Ex tb IIIC T80 C/T95 C/T130 C Db	CCC证书 CCC Certificate	Ex eb IIC T6/T5/T4 Gb Ex ia IIC T6/T5/T4 Ga Ex ib IIC T6/T5/T4 Gb Ex tb IIIC T80 C/T95 C/T130 C Db
ATEX证书 ATEX Certificate	Ⓜ II 2 G Ex eb IIC T6/T5/T4 Gb Ⓜ II 1 G Ex ia IIC T6/T5/T4 Ga Ⓜ II 2 G Ex ib IIC T6/T5/T4 Gb Ⓜ II 2 D Ex tb IIIC T80 C/T95 C/T130 C Db	防爆合格证 Certificate	Ex eb IIC T6/T5/T4 Gb Ex ia IIC T6/T5/T4 Ga Ex ib IIC T6/T5/T4 Gb Ex tb IIIC T80 C/T95 C/T130 C Db

组件数据-标配 Configuration components-Standard

组件数据-选配 Optional

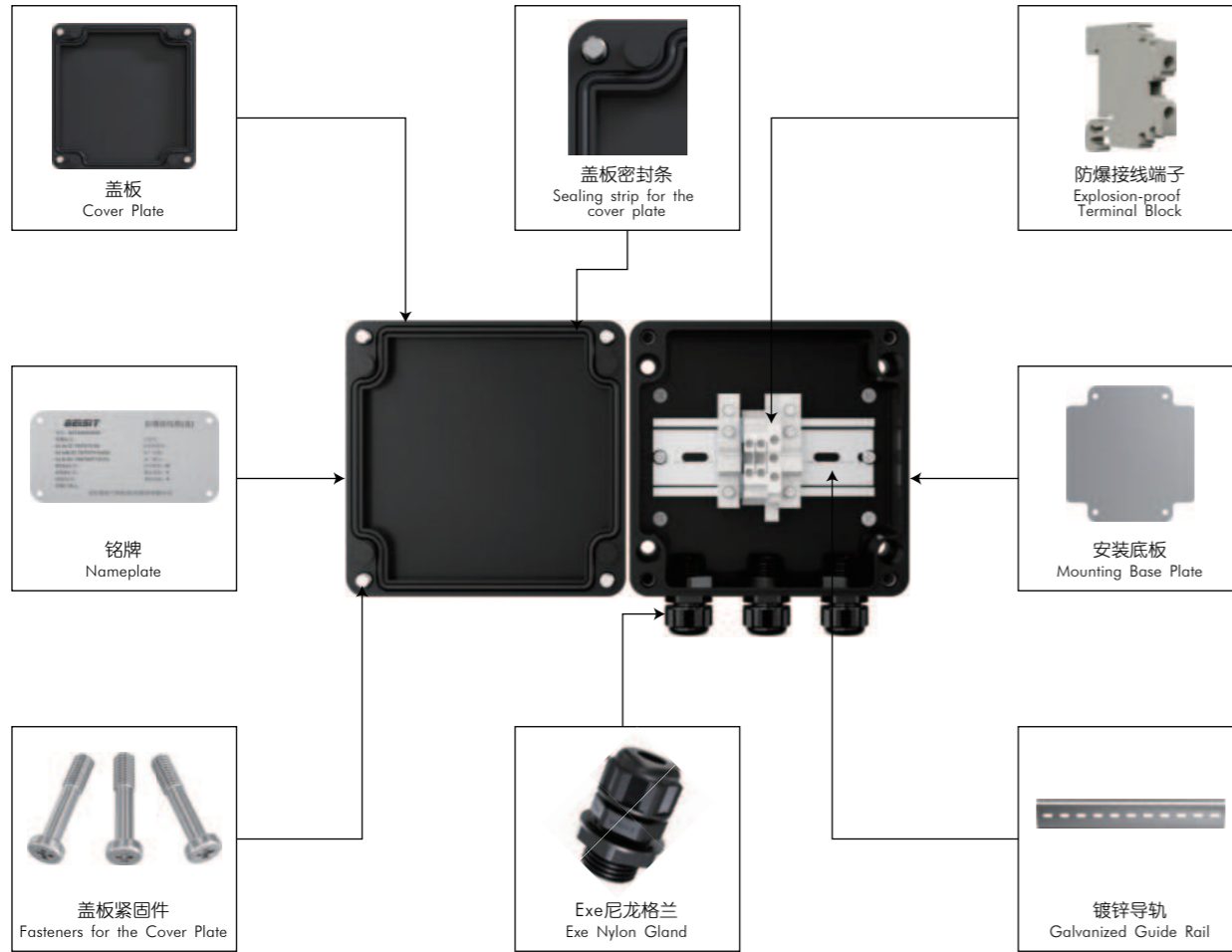
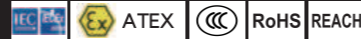
图样 Pattern	名称 Item	材料 Material	图样 Pattern	名称 Item	材料 Material
	安装底板 Mounting Base Plate	镀锌钢板 Galvanized steel sheet		安装导轨 Installation guide rail	镀锌钢板 Galvanized steel sheet
	盖板紧固件 Fasteners for the Cover Plate	304不锈钢 Stainless Steel		防爆接线端子 Explosion-proof Terminal Block	PA
	盖板密封条 Sealing strip for the cover plate	硅胶 Silicone		防爆电缆固定头 Explosion-proof Cable Gland	金属 Metal
	接地标识 Grounding Indication	304不锈钢 Stainless Steel		防爆呼吸阀 Explosion-proof breather valve	金属 Metal
	铭牌 Nameplate	304不锈钢 Stainless Steel			

说明：选配的组件详细技术参数等内容，见其详细页。例如防爆电缆固定头详见/P
Note: For detailed technical parameters and other information of the optional components, please refer to their detailed pages. For example, for the explosion-proof cable gland, please refer to /P.

防爆接线箱 (盒)
Explosion-proof junction box (case)



→ BST5120E系列 Series



产品描述 Product Description

1. 外壳采用耐冲击的玻璃纤维增强聚酯材料制成，外露紧固件为不锈钢材质。
 2. 组成部分：安装底板、盖板紧固件、盖板密封条、铭牌
(防爆接线端子、防爆呼吸阀、防爆电缆固定头、导轨可根据客户要求配置，客户也可自购自装)。
1. The enclosure is made of impact-resistant glass fiber reinforced polyester material, and the exposed fasteners are made of stainless steel.
 2. Components: Installation base plate, cover fasteners, cover sealing strip, nameplate.
(Explosion-proof terminal blocks, explosion-proof breather valves, explosion-proof cable glands, and guide rails can be configured according to customer requirements. Customers can also purchase and install them by themselves.)

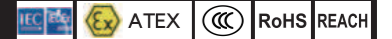
产品FAB The FAB of the product

特点 Peculiarity	<p>工作环境温度 Working environment temperature: -55°C~+130°C, 测试温度 Testing temperature: -60°C~+150°C</p> <p>防爆接线箱带本安型认证 The explosion-proof junction box has intrinsic safety type certification, Ex ib IIC T6/T5/T4 Gb</p> <p>防护等级 Protection level: IP66</p> <p>可配金属防爆电缆固定头, 带黄铜板接地板, 接地螺钉</p> <p>It can be equipped with a metal explosion-proof cable gland, and is equipped with a brass plate grounding plate and grounding screws.</p>
优点 Strength	<p>国内外证书齐全: IECEx、ATEX、CCC、防爆合格证。</p> <p>It has a full range of domestic and foreign certificates, such as IECEx, ATEX, CCC and Explosion-proof Certificate.</p> <p>规格种类齐全, 一共有21种规格, 最小规格是80x75x75mm, 最大规格是810x400x210mm。</p> <p>There are 21 specifications in total, ranging from the smallest 80x75x75mm (unit unspecified) to the largest 810x400x210mm (unit unspecified).</p>
价值 Value	<p>产品系列齐全, 根据客户需求, 可选最具性价比的产品。</p> <p>There is a complete product series. According to customers' needs, the most cost-effective products can be selected.</p>

防爆接线箱 (盒)
Explosion-proof junction box (case)



→ BST5120E系列 Series



适用范围 Scope of application :

爆炸性气体环境0区、1区、2区; 爆炸性粉尘环境21区、22区
Zone 0, Zone 1 and Zone 2 in explosive gas atmospheres;
Zone 21 and Zone 22 in explosive dust atmospheres.



防护等级 Protection Level :

IP66

抗冲击性能 Impact Resistance :

7J

使用环境温度 Operating ambient temperature :

-55°C≤Ta≤+40°C/+55°C/+60°C

额定电压 Rated voltage :

最大 Max. AC1100V

额定电流 Rated current :

最大 Max. 350A

材料 Material :

玻璃纤维增强聚酯 Glass Fiber Reinforced Polyester

认证数据 Authentication Certificate

认证类别 Certification Category	防爆标志 Ex-Mark	认证类别 Certification Category	防爆标志 Ex-Mark
IECEx证书 IECEx Certificate	Ex eb IIC T6/T5/T4 Gb Ex ia IIC T6/T5/T4 Ga Ex ib IIC T6/T5/T4 Gb Ex tb IIIC T80°C/T95°C/T130°C Db	CCC证书 CCC Certificate	Ex eb IIC T6/T5/T4 Gb Ex ia IIC T6/T5/T4 Ga Ex ib IIC T6/T5/T4 Gb Ex tb IIIC T80°C/T95°C/T130°C Db
ATEX证书 ATEX Certificate	Ⓜ II 2 G Ex eb IIC T6/T5/T4 Gb Ⓜ II 1 G Ex ia IIC T6/T5/T4 Ga Ⓜ II 2 G Ex ib IIC T6/T5/T4 Gb Ⓜ II 2 D Ex tb IIIC T80°C/T95°C/T130°C Db	防爆合格证 Certificate	Ex eb IIC T6/T5/T4 Gb Ex ia IIC T6/T5/T4 Ga Ex ib IIC T6/T5/T4 Gb Ex tb IIIC T80°C/T95°C/T130°C Db

组件数据-标配 Configuration components-Standard

组件数据-选配 Optional

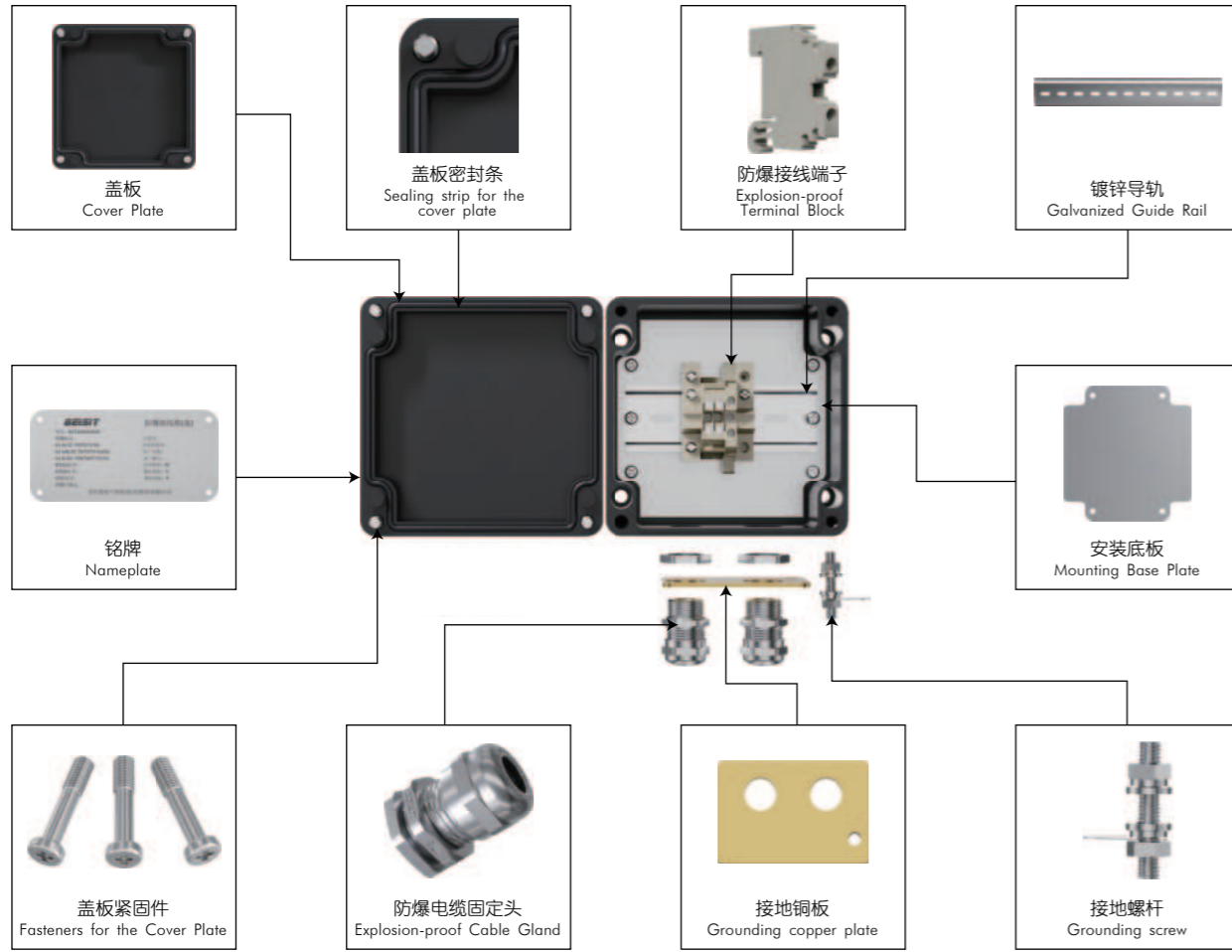
图样 Pattern	名称 Item	材料 Material	图样 Pattern	名称 Item	材料 Material
	安装底板 Mounting Base Plate	镀锌钢板 Galvanized steel sheet		安装导轨 Installation guide rail	镀锌钢板 Galvanized steel sheet
	盖板紧固件 Fasteners for the Cover Plate	304不锈钢 Stainless Steel		防爆接线端子 Explosion-proof Terminal Block	PA
	盖板密封条 Sealing strip for the cover plate	硅胶 Silicone		防爆电缆固定头 Explosion-proof Cable Gland	PA尼龙 PA Nylon
	铭牌 Nameplate	304不锈钢 Stainless Steel			

说明: 选配的组件详细技术参数等内容, 见其详细页。例如防爆电缆固定头详见/P
Note: For detailed technical parameters and other information of the optional components, please refer to their detailed pages. For example, for the explosion-proof cable gland, please refer to /P.

防爆接线箱 (盒)
Explosion-proof junction box (case)



→ BST5120带接地板系列 (With Flange Plate) Series



产品描述 Product Description

- 外壳采用耐冲击的玻璃纤维增强聚酯材料制成，外露紧固件为不锈钢材质。
 - 组成部分：安装底板、盖板紧固件、盖板密封条、铭牌
(防爆接线端子、防爆呼吸阀、接地标识、接地铜板、防爆电缆固定头、导轨可根据客户要求配置，客户也可自购自装)。
 - 选用金属格兰时应按照认证要求配置：接地铜板、接地螺杆、接地标识。
- The enclosure is made of impact-resistant glass fiber reinforced polyester, and the exposed fasteners are made of stainless steel.
 - Components: Installation base plate, cover fasteners, cover sealing strip, nameplate
(Explosion-proof terminal blocks, explosion-proof breather valves, grounding signs, grounding copper plates, explosion-proof cable glands, and guide rails can be configured according to customer requirements. Customers can also purchase and install them by themselves.)
 - When selecting metal cable glands, the grounding copper plate, grounding screw and grounding sign shall be configured in accordance with the certification requirements.

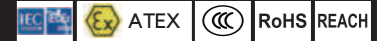
产品FAB The FAB of the product

特点 Peculiarity	工作环境温度 Working environment temperature: -55°C~+130°C, 测试温度 Testing temperature: -60°C~+150°C 防爆接线箱带本安型认证 The explosion-proof junction box has intrinsic safety type certification, Ex ib IIC T6/T5/T4 Gb 防护等级 Protection level: IP66 可配金属防爆电缆固定头, 带黄铜板接地板, 接地螺钉 It can be equipped with a metal explosion-proof cable gland, and is equipped with a brass plate grounding plate and grounding screws.
优点 Strength	国内外证书齐全: IECEx、ATEX、CCC、防爆合格证。 It has a full range of domestic and foreign certificates, such as IECEx, ATEX, CCC and Explosion-proof Certificate. 规格种类齐全, 一共有21种规格, 最小规格是80x75x75mm, 最大规格是810x400x210mm。 There are 21 specifications in total, ranging from the smallest 80x75x75mm (unit unspecified) to the largest 810x400x210mm (unit unspecified).
价值 Value	产品系列齐全, 根据客户需求, 可选最具性价比的产品。 There is a complete product series. According to customers' needs, the most cost-effective products can be selected.

防爆接线箱 (盒)
Explosion-proof junction box (case)



→ BST5120带接地板系列 (With Flange Plate) Series



适用范围 Intended Use : 爆炸性气体环境0区、1区、2区; 爆炸性粉尘环境21区、22区
Zone 0, Zone 1 and Zone 2 in explosive gas atmospheres;
Zone 21 and Zone 22 in explosive dust atmospheres.

防护等级 Degree of Protection : IP66

抗冲击性能 Impact resistance : 7J

使用环境温度 Ambient Temperature : -55°C≤T_a≤+40°C/+55°C/+60°C

额定电压 Rated voltage : 最大 Max. AC1100V

额定电流 Rated current : 最大 Max. 350A

材料 Material : 玻璃纤维增强聚酯 Glass Fiber Reinforced Polyester



认证数据 Authentication Certificate

认证类别 Certification Category	防爆标志 Ex-Mark	认证类别 Certification Category	防爆标志 Ex-Mark
IECEx证书 IECEx Certificate	Ex eb IIC T6/T5/T4 Gb Ex ia IIC T6/T5/T4 Ga Ex ib IIC T6/T5/T4 Gb Ex tb IIIC T80°C/T95°C/T130°C Db	CCC证书 CCC Certificate	Ex eb IIC T6/T5/T4 Gb Ex ia IIC T6/T5/T4 Ga Ex ib IIC T6/T5/T4 Gb Ex tb IIIC T80°C/T95°C/T130°C Db
ATEX证书 ATEX Certificate	Ⓜ II 2 G Ex eb IIC T6/T5/T4 Gb Ⓜ II 1 G Ex ia IIC T6/T5/T4 Ga Ⓜ II 2 G Ex ib IIC T6/T5/T4 Gb Ⓜ II 2 D Ex tb IIIC T80°C/T95°C/T130°C Db	防爆合格证 Certificate	Ex eb IIC T6/T5/T4 Gb Ex ia IIC T6/T5/T4 Ga Ex ib IIC T6/T5/T4 Gb Ex tb IIIC T80°C/T95°C/T130°C Db

组件数据-标配 Configuration components-Standard

组件数据-选配 Optional

图样 Pattern	名称 Item	材料 Material	图样 Pattern	名称 Item	材料 Material
	安装底板 Mounting Base Plate	镀锌钢板 Galvanized steel sheet		安装导轨 Installation guide rail	镀锌钢板 Galvanized steel sheet
	盖板紧固件 Fasteners for the Cover Plate	304不锈钢 Stainless Steel		防爆接线端子 Explosion-proof Terminal Block	PA
	盖板密封条 Sealing strip for the cover plate	硅胶 Silicone		防爆电缆固定头 Explosion-proof Cable Gland	金属 Metal
	铭牌 Nameplate	304不锈钢 Stainless Steel		防爆呼吸阀 Explosion-proof Breather Valve	金属 Metal
				接地铜板 Grounding copper plate	黄铜 Brass
				接地螺杆 Grounding screw	304 316 316L 不锈钢 Stainless Steel

说明: 选配的组件详细技术参数等内容, 见其详细页。例如防爆电缆固定头详见/P
Note: For detailed technical parameters and other information of the optional components, please refer to their detailed pages. For example, for the explosion-proof cable gland, please refer to /P.

防爆接线箱 (盒)
Explosion-proof junction box (case)



→ BST5120带接地板系列 (With Flange Plate) Series



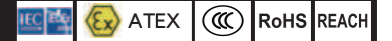
耗散功率数据 Dissipation Power Meter

序号 No.	型号 Model	最大耗散功率(W) Maximum Dissipation Power	箱体外形尺寸 Box Dimensions (mm)		
			长 long A	宽 wide B	高 high C
1	BST5120011E	0.53	80	75	75
2	BST5120021E	1.55	110	75	75
3	BST5120031E	2.41	160	75	75
4	BST5120041E	3.46	190	75	75
5	BST5120051E	4.79	230	78	78
6	BST5120061E	2.09	122	120	91
7	BST5120071E	6.99	220	120	91
8	BST5120081E	3.81	160	160	91
9	BST5120091E	7.79	260	160	91
10	BST5120101E	32.50	360	360	91
11	BST5120111E	26.70	560	160	91
12	BST5120121E	13.39	360	160	91
13	BST5120131E	12.58	255	250	121
14	BST5120141E	26.99	400	250	121
15	BST5120151E	47.43	600	250	121
16	BST5120161E	14.86	255	250	161
17	BST5120171E	32.14	400	250	161
18	BST5120181E	48.51	405	400	201
19	BST5120191E	48.49	400	400	210
20	BST5120201E	3.64	160	160	120
21	BST5120211E	43.01	810	400	210

防爆接线箱 (盒)
Explosion-proof junction box (case)



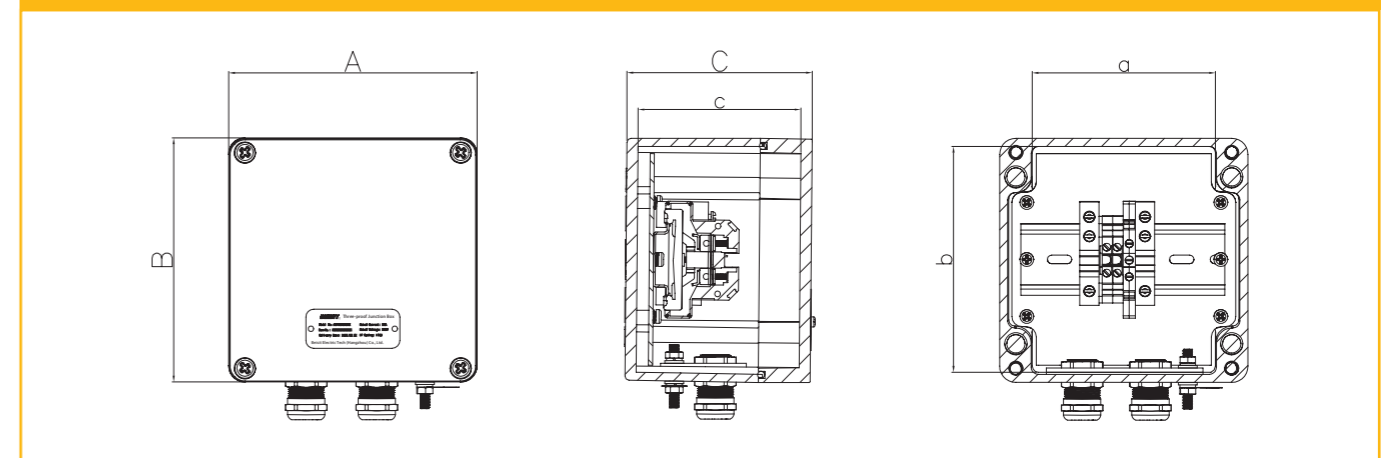
→ BST5120带接地板系列 (With Flange Plate) Series



开孔数据 Hole Opening Table for Cable Glands of Explosion-proof Enclosures

序号 No.	箱体外形尺寸 Box Dimensions (mm)			型号 Model	开孔区域到箱体边最小距离 Min. dist. from opening area to box edge (mm)	电缆固定头安装面 Cable gland mount surface D E F G	电缆固定头型号 Cable Gland Model																
	长 long A	宽 wide B	高 high C				M12	M16	M16B	M20	M20B	M25	M32	M40	M50	M63							
1	80	75	75	BST5120011E	最小距离≥3	D/E F/G	5	4	4	1	1	1	1	/	/	/	/	/	/	/	/	/	
2	110	75	75	BST5120021E			2	1	1	1	1	/	/	/	/	/	/	/	/	/	/	/	/
3	160	75	75	BST5120031E			17	10	10	11	11	3	2	2	/	/	/	/	/	/	/	/	/
4	190	75	75	BST5120041E			20	12	12	5	5	4	3	2	/	/	/	/	/	/	/	/	/
5	230	75	75	BST5120051E			8	8	8	5	5	2	1	1	1	/	/	/	/	/	/	/	/
6	122	120	91	BST5120061E			8	5	5	3	3	2	1	1	/	/	/	/	/	/	/	/	/
7	220	120	91	BST5120071E			23	14	14	12	12	4	3	3	2	/	/	/	/	/	/	/	/
8	160	160	91	BST5120081E			8	5	5	3	3	2	1	1	/	/	/	/	/	/	/	/	/
9	260	160	91	BST5120091E			15	11	11	8	8	3	2	2	1	/	/	/	/	/	/	/	/
10	360	360	91	BST5120101E			8	6	6	5	5	2	1	1	/	/	/	/	/	/	/	/	/
11	560	160	91	BST5120111E			27	16	16	14	14	5	4	3	3	/	/	/	/	/	/	/	/
12	360	160	91	BST5120121E			8	6	6	5	5	2	1	1	/	/	/	/	/	/	/	/	/
13	255	250	121	BST5120131E			42	24	24	20	20	8	6	5	4	/	/	/	/	/	/	/	/
14	400	250	121	BST5120141E			8	6	6	5	5	2	1	1	/	/	/	/	/	/	/	/	/
15	600	250	121	BST5120151E			69	40	40	34	34	13	10	8	7	/	/	/	/	/	/	/	/
16	255	250	161	BST5120161E			8	6	6	5	5	2	1	1	/	/	/	/	/	/	/	/	/
17	400	250	161	BST5120171E			36	32	32	21	21	10	8	3	3	2	/	/	/	/	/	/	/
18	405	400	201	BST5120181E			27	18	18	10	10	8	3	2	2	2	/	/	/	/	/	/	/
19	400	400	210	BST5120191E			96	60	60	54	54	24	20	8	6	6	/	/	/	/	/	/	/
20	160	160	120	BST5120201E			27	18	18	10	10	8	3	2	2	2	/	/	/	/	/	/	/
21	810	400	210	BST5120211E			36	32	32	21	21	10	8	3	3	2	/	/	/	/	/	/	/
					27	18	18	10	10	8	3	2	2	2	/	/	/	/	/	/	/		
					60	39	39	22	22	16	6	5	4	4	/	/	/	/	/	/	/		
					27	18	18	10	10	8	3	2	2	2	/	/	/	/	/	/	/		
					105	78	78	55	55	32	18	10	8	8	/	/	/	/	/	/	/		
					98	72	72	50	50	32	18	10	8	8	/	/	/	/	/	/	/		
					8	6	6	4	4	2	1	1	/	/	/	/	/	/	/	/	/		
					2	1	1	1	1	/	/	/	/	/	/	/	/	/	/	/	/		
					22	16	16	10	10	6	4	2	2	/	/	/	/	/	/	/	/		
					2	1	1	1	1	/	/	/	/	/	/	/	/	/	/	/	/		
					52	35	35	18	18	8	6	5	4	/	/	/	/	/	/	/	/		
					8	6	6	5	5	2	1	1	/	/	/	/	/	/	/	/	/		
					105	78	78	55	55	32	18	10	8	8	/	/	/	/	/	/	/		
					98	72	72	50	50	32	18	10	8	8	/	/	/	/	/	/	/		
					105	78	78	55	55	32	18	10	8	8	/	/	/	/	/	/	/		
					98	72	72	50	50	32	18	10	8	8	/	/	/	/	/	/	/		
					15	15	11	11	8	8	3	2	2	/	/	/	/	/	/	/	/		
					8	6	6	5	5	2	1	1	/	/	/	/	/	/	/	/	/		
					196	132	132	100	100	56	32	20	16	12	/	/	/	/	/	/	/		
					98	72	72	50	50	32	18	10	8	8	/	/	/	/	/	/	/		

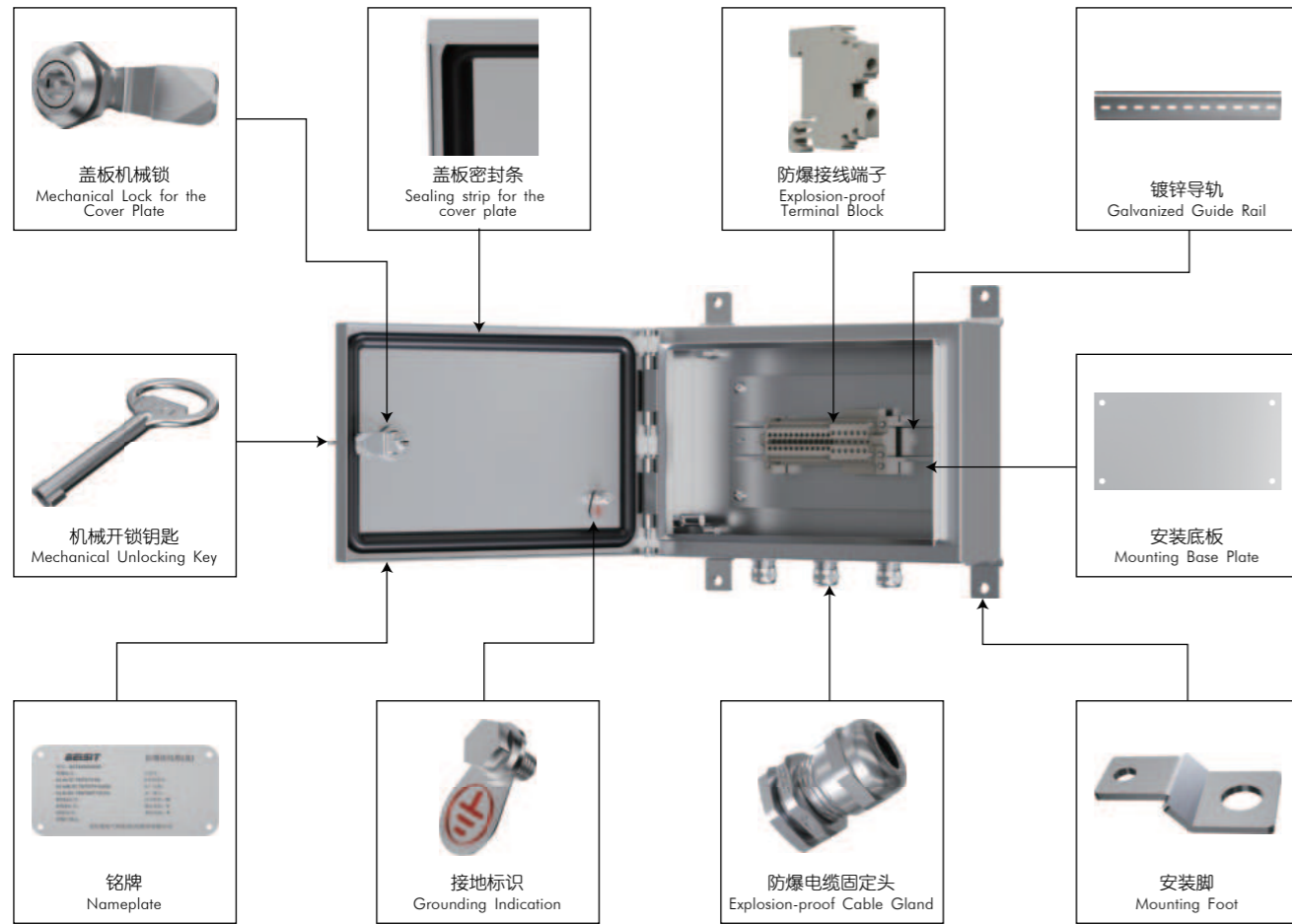
外形尺寸 Outline drawing



防爆接线箱 (盒)
Explosion-proof junction box (case)



→ BST5130E系列 Series



产品描述 Product Description

1. 外壳采用不锈钢(304、316、316L)外露紧固件为不锈钢。
2. 组成部分: 安装底板、安装脚、接地标识、盖板紧固件、盖板密封条、铭牌 (防爆接线端子、防爆呼吸阀、防爆电缆固定头、导轨可根据客户要求配置, 客户也可自购自装)。
3. 可选装带格兰板认证的箱体结构, 格兰孔可根据用户情况自行开孔, 方便现场施工维护。

1. The enclosure is made of stainless steel (304, 316, 316L), and the exposed fasteners are also made of stainless steel.
2. Components: Installation base plate, mounting feet, grounding sign, cover fasteners, cover sealing strip, nameplate. (Explosion-proof terminal blocks, explosion-proof breather valves, explosion-proof cable glands, and guide rails can be configured according to customer requirements. Customers can also purchase and install them on their own.)
3. An enclosure structure with a certified cable gland plate can be optionally installed. The gland holes can be drilled according to the user's requirements, facilitating on-site construction and maintenance.

产品FAB The FAB of the product

特点 Peculiarity	工作环境温度 Working environment temperature: -55℃~+130℃, 测试温度 Testing temperature: -60℃~+150℃ 防爆接线箱带本安型认证 The explosion-proof junction box has intrinsic safety type certification, Ex ib IIC T6/T5/T4 Gb 防护等级 Protection level: IP66 密封条可以选用PU发泡、平板硅胶、硅胶发泡 The sealing strips can be selected from PU foam, flat silicone rubber, and silicone foam.
优点 Strength	国内外证书齐全: IECEx、ATEX、CCC、防爆合格证。 It has a full range of domestic and foreign certificates, such as IECEx, ATEX, CCC and Explosion-proof Certificate. 规格种类齐全, 一共有17种规格, 最小规格是100x100x60mm, 最大规格是1200x1200x400mm。 There are 17 specifications in total, ranging from the smallest 100x100x60mm (unit unspecified) to the largest 1200x1200x400mm (unit unspecified).
价值 Value	产品系列齐全, 根据客户需求, 可选最具性价比的产品。 There is a complete product series. According to customers' needs, the most cost-effective products can be selected.



防爆接线箱 (盒)
Explosion-proof junction box (case)

→ BST5130E系列 Series



适用范围 Intended Use : 爆炸性气体环境0区、1区、2区; 爆炸性粉尘环境21区、22区
Zone 0, Zone 1 and Zone 2 in explosive gas atmospheres;
Zone 21 and Zone 22 in explosive dust atmospheres.

防护等级 Degree of Protection : IP66

抗冲击性能 Impact resistance : 7J

使用环境温度 Ambient Temperature : -55℃≤T_a≤+40℃/+55℃/+60℃

额定电压 Rated voltage : 最大 Max. AC1100V

额定电流 Rated current : 最大 Max. 350A

材料厚度 Material Thickness : 标配 Standard 1.5mm (其他定制 Other Customized)

材料 Material : 不锈钢 Stainless Steel (304、316、316L)

表面处理 Surface Treatment : 抛光及拉丝 Polishing and Drawing



认证数据 Authentication Certificate

认证类别 Certification Category	防爆标志 Ex-Mark	认证类别 Certification Category	防爆标志 Ex-Mark
IECEx证书 IECEx Certificate	Ex eb IIC T6/T5/T4 Gb Ex ia IIC T6/T5/T4 Ga Ex ib IIC T6/T5/T4 Gb Ex ib IIIC T80 C/T95 C/T130 C Db	CCC证书 CCC Certificate	Ex eb IIC T6/T5/T4 Gb Ex ia IIC T6/T5/T4 Ga Ex ib IIC T6/T5/T4 Gb Ex ib IIIC T80 C/T95 C/T130 C Db
ATEX证书 ATEX Certificate	Ⓜ II 2 G Ex eb IIC T6/T5/T4 Gb Ⓜ II 1 G Ex ia IIC T6/T5/T4 Ga Ⓜ II 2 G Ex ib IIC T6/T5/T4 Gb Ⓜ II 2 D Ex ib IIIC T80 C/T95 C/T130 C Db	防爆合格证 Certificate	Ex eb IIC T6/T5/T4 Gb Ex ia IIC T6/T5/T4 Ga Ex ib IIC T6/T5/T4 Gb Ex ib IIIC T80 C/T95 C/T130 C Db

组件数据-标配 Configuration components-Standard

组件数据-选配 Optional

图样 Pattern	名称 Item	材料 Material	图样 Pattern	名称 Item	材料 Material
	安装底板 Mounting Base Plate	镀锌钢板 Galvanized steel sheet		安装导轨 Installation guide rail	镀锌钢板 Galvanized steel sheet
	盖板机械锁 Mechanical Lock for the Cover Plate	304不锈钢 Stainless Steel		防爆接线端子 Explosion-proof Terminal Block	PA
	盖板密封条 Sealing strip for the cover plate	硅胶 Silicone		防爆电缆固定头 Explosion-proof Cable Gland	金属 Metal
	接地标识 Grounding Indication	304不锈钢 Stainless Steel		防爆呼吸阀 Explosion-proof Breather Valve	金属 Metal
	铭牌 Nameplate	304不锈钢 Stainless Steel			
	安装脚 Mounting Foot	304不锈钢 Stainless Steel			

说明: 选配的组件详细技术参数等内容, 见其详细页。例如防爆电缆固定头详见/P
Note: For detailed technical parameters and other information of the optional components, please refer to their detailed pages. For example, for the explosion-proof cable gland, please refer to /P.

防爆接线箱 (盒)
Explosion-proof junction box (case)



→ BST5130E系列 Series

耗散功率数据 Dissipation Power Meter

序号 No.	型号 Model	最大耗散功率(W) Maximum Dissipation Power	箱体外形尺寸 Box Dimensions (mm)		
			长 long A	宽 wide B	高 high C
1	BST5130011E	0.78	100	100	60
2	BST5130021E	3.60	150	150	80
3	BST5130031E	5.31	200	150	80
4	BST5130041E	10.07	300	200	110
5	BST5130051E	22.30	400	200	150
6	BST5130061E	37.13	400	400	150
7	BST5130071E	38.18	400	400	150
8	BST5130081E	47.19	500	400	150
9	BST5130091E	55.73	500	500	210
10	BST5130101E	63.38	600	400	210
11	BST5130111E	88.08	700	400	210
12	BST5130121E	157.37	700	700	300
13	BST5130131E	161.52	800	600	300
14	BST5130141E	271.17	1000	800	300
15	BST5130151E	207.30	800	800	400
16	BST5130161E	251.98	900	900	400
17	BST5130171E	577.77	1200	1200	400

防爆接线箱 (盒)
Explosion-proof junction box (case)

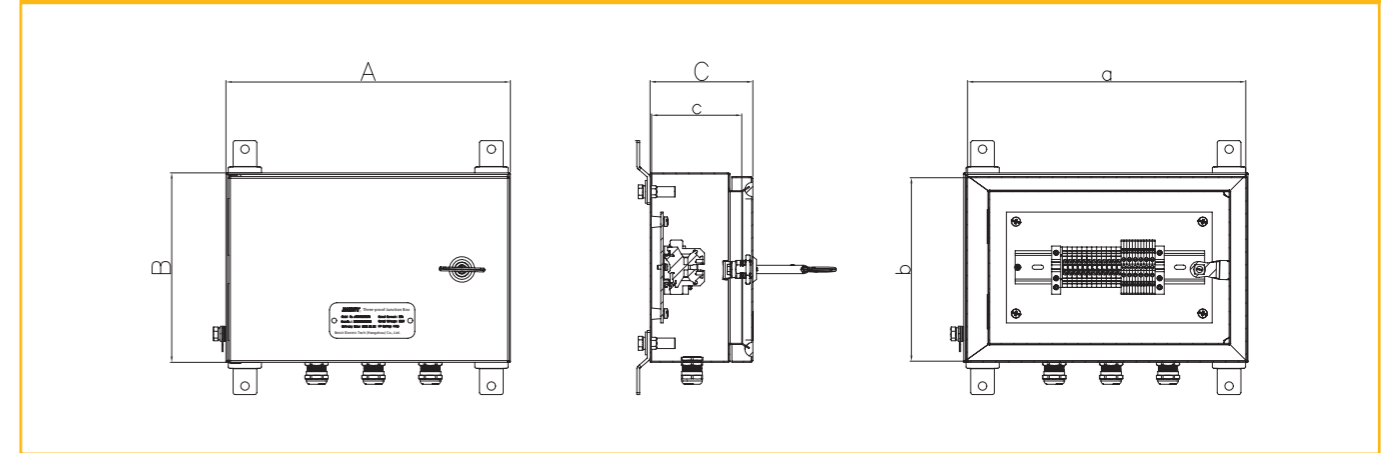


→ BST5130E系列 Series

开孔数据 Hole Opening Table for Cable Glands of Explosion-proof Enclosures

序号 No.	箱体外形尺寸 Box Dimensions (mm)			型号 Model	开孔区域到箱体边最小距离 Min. dist. from opening area to box edge (mm)	电缆固定头安装面 Cable gland mount surface D E F G	电缆固定头型号 Cable Gland Model																		
	长 long A	宽 wide B	高 high C				M12	M16	M16B	M20	M20B	M25	M32	M40	M50	M63									
1	100	100	60	BST5130011E	最小距离≥3	D/E F/G	3	3	3	2	2	/	/	/	/	/	/	/	/	/	/	/	/	/	
2	150	150	80	BST5130021E			9	5	5	4	4	3	/	/	/	/	/	/	/	/	/	/	/	/	/
3	200	150	80	BST5130031E			9	5	5	4	4	3	/	/	/	/	/	/	/	/	/	/	/	/	/
4	300	200	110	BST5130041E			15	7	7	5	5	4	/	/	/	/	/	/	/	/	/	/	/	/	/
5	400	200	150	BST5130051E			9	5	5	4	4	3	/	/	/	/	/	/	/	/	/	/	/	/	/
6	400	400	150	BST5130061E			36	20	20	15	15	8	5	4	/	/	/	/	/	/	/	/	/	/	/
7	500	400	150	BST5130071E			23	12	12	9	9	5	3	3	/	/	/	/	/	/	/	/	/	/	/
8	400	400	210	BST5130081E			82	42	42	36	36	18	14	6	5	4	/	/	/	/	/	/	/	/	/
9	500	500	210	BST5130091E			32	18	18	17	17	11	8	3	2	2	/	/	/	/	/	/	/	/	/
10	600	400	210	BST5130101E			82	42	42	36	36	18	14	6	5	4	/	/	/	/	/	/	/	/	/
11	700	400	210	BST5130111E			68	42	42	36	36	26	14	8	5	4	/	/	/	/	/	/	/	/	/
12	700	700	300	BST5130121E			84	54	54	45	45	29	18	9	6	5	/	/	/	/	/	/	/	/	/
13	800	600	300	BST5130131E			68	42	42	36	36	26	14	8	5	4	/	/	/	/	/	/	/	/	/
14	1000	800	300	BST5130141E			110	84	84	60	60	36	21	12	10	8	/	/	/	/	/	/	/	/	/
15	800	800	400	BST5130151E			110	84	84	60	60	36	21	12	10	8	/	/	/	/	/	/	/	/	/
16	900	900	400	BST5130161E			147	108	108	80	80	48	27	18	12	12	/	/	/	/	/	/	/	/	/
17	1200	1200	400	BST5130171E			147	108	108	80	80	48	27	18	12	12	/	/	/	/	/	/	/	/	/

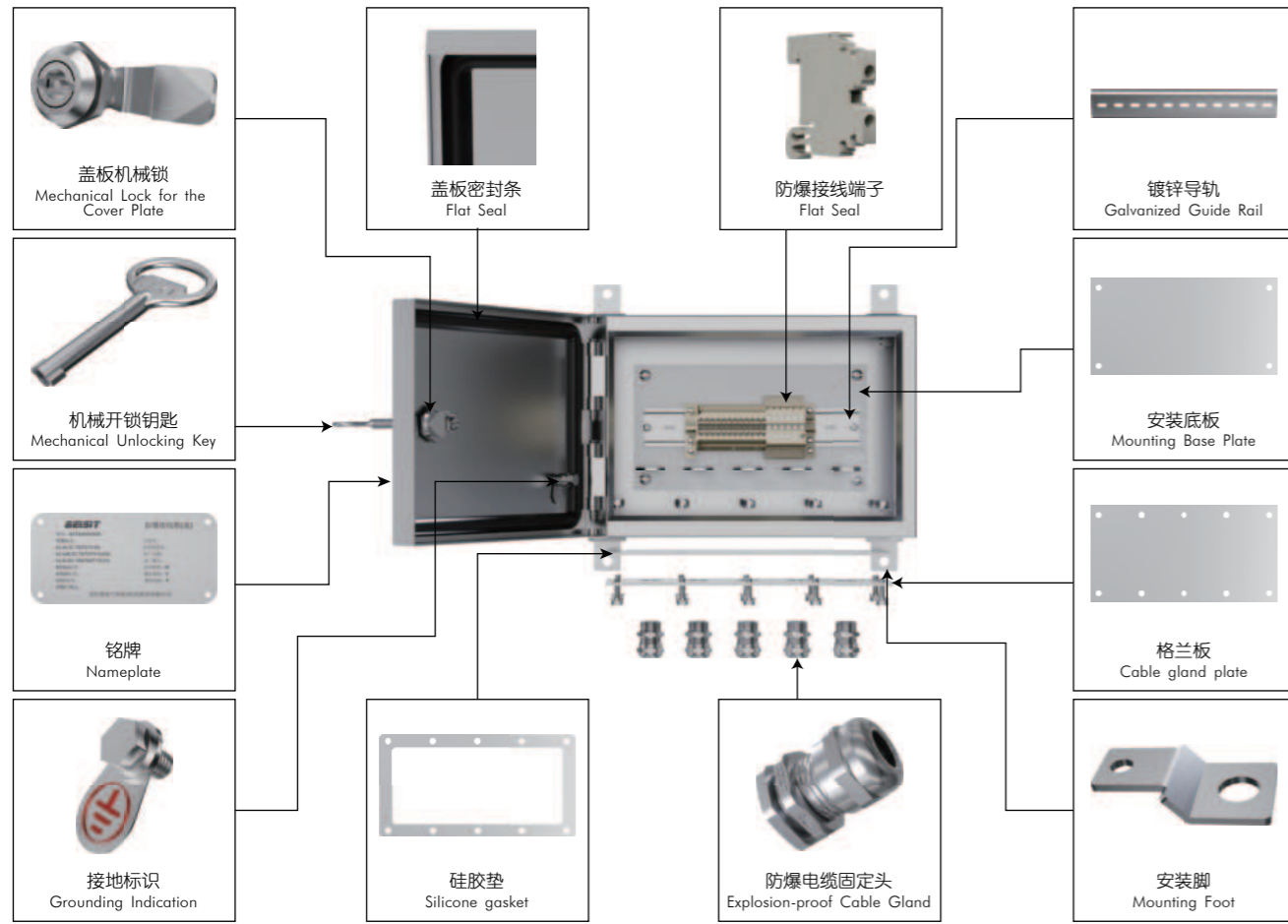
外形尺寸 Outline drawing



防爆接线箱 (盒)
Explosion-proof junction box (case)



→ BST5130E带格兰板系列 (With Flange Plate) Series



产品描述 Product Description

1. 外壳采用不锈钢(304、316、316L)外露紧固件为不锈钢。
2. 组成部分: 安装底板、安装脚、接地标识、盖板紧固件、盖板密封条、铭牌 (防爆接线端子、防爆呼吸阀、防爆电缆固定头、导轨可根据客户要求配置, 客户也可自购自装)。
3. 可选装带格兰板认证的箱体结构, 格兰孔可根据用户情况自行开孔, 方便现场施工维护。

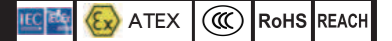
产品FAB The FAB of the product

特点 Peculiarity	<p>工作环境温度 Working environment temperature: -55℃~+130℃, 测试温度 Testing temperature: -60℃~+150℃</p> <p>防爆接线箱带本安型认证 The explosion-proof junction box has intrinsic safety type certification, Ex ib IIC T6/T5/T4 Gb</p> <p>防护等级 Protection level: IP66</p> <p>密封条可以选用PU发泡、平板硅胶、硅胶发泡</p> <p>The sealing strips can be selected from PU foam, flat silicone rubber, and silicone foam.</p>
优点 Strength	<p>国内外证书齐全: IECEx、ATEX、CCC、防爆合格证。</p> <p>It has a full range of domestic and foreign certificates, such as IECEx, ATEX, CCC and Explosion-proof Certificate.</p> <p>规格种类齐全, 一共有17种规格, 最小规格是100x100x60mm, 最大规格是1200x1200x400mm。</p> <p>There are 17 specifications in total, ranging from the smallest 100x100x60mm (unit unspecified) to the largest 1200x1200x400mm (unit unspecified).</p>
价值 Value	<p>产品系列齐全, 根据客户需求, 可选最具性价比的产品。</p> <p>There is a complete product series. According to customers' needs, the most cost-effective products can be selected.</p>



防爆接线箱 (盒)
Explosion-proof junction box (case)

→ BST5130E带格兰板系列 (With Flange Plate) Series



适用范围 Intended Use : 爆炸性气体环境0区、1区、2区; 爆炸性粉尘环境21区、22区
Zone 0, Zone 1 and Zone 2 in explosive gas atmospheres;
Zone 21 and Zone 22 in explosive dust atmospheres.

防护等级 Degree of Protection : IP66

抗冲击性能 Impact resistance : 7J

使用环境温度 Ambient Temperature : -55℃≤Ta≤+40℃/+55℃/+60℃

额定电压 Rated voltage : 最大 Max. AC1100V

额定电流 Rated current : 最大 Max. 350A

材料厚度 Material Thickness : 标配 Standard 1.5mm (其他定制 Other Customized)

材料 Material : 不锈钢 Stainless Steel (304、316、316L)

表面处理 Surface Treatment : 抛光及拉丝 Polishing and Drawing

认证数据 Authentication Certificate

认证类别 Certification Category	防爆标志 Ex-Mark	认证类别 Certification Category	防爆标志 Ex-Mark
IECEx证书 IECEx Certificate	Ex eb IIC T6/T5/T4 Gb Ex ia IIC T6/T5/T4 Ga Ex ib IIC T6/T5/T4 Gb Ex tb IIIC T80 C/T95 C/T130 C Db	CCC证书 CCC Certificate	Ex eb IIC T6/T5/T4 Gb Ex ia IIC T6/T5/T4 Ga Ex ib IIC T6/T5/T4 Gb Ex tb IIIC T80 C/T95 C/T130 C Db
ATEX证书 ATEX Certificate	Ⓜ II 2 G Ex eb IIC T6/T5/T4 Gb Ⓜ II 1 G Ex ia IIC T6/T5/T4 Ga Ⓜ II 2 G Ex ib IIC T6/T5/T4 Gb Ⓜ II 2 D Ex tb IIIC T80 C/T95 C/T130 C Db	防爆合格证 Certificate	Ex eb IIC T6/T5/T4 Gb Ex ia IIC T6/T5/T4 Ga Ex ib IIC T6/T5/T4 Gb Ex tb IIIC T80 C/T95 C/T130 C Db

组件数据-标配 Configuration components-Standard

组件数据-选配 Optional

图样 Pattern	名称 Item	材料 Material	图样 Pattern	名称 Item	材料 Material
	安装底板 Mounting Base Plate	镀锌钢板 Galvanized steel sheet		安装导轨 Installation guide rail	镀锌钢板 Galvanized steel sheet
	盖板机械锁 Mechanical Lock for the Cover Plate	304不锈钢 Stainless Steel		防爆接线端子 Explosion-proof Terminal Block	PA
	盖板密封条 Sealing strip for the cover plate	硅胶 Silicone		防爆电缆固定头 Explosion-proof Cable Gland	金属 Metal
	接地标识 Grounding Indication	304不锈钢 Stainless Steel		防爆呼吸阀 Explosion-proof Breather Valve	金属 Metal
	格兰板 Cable gland plate	304不锈钢 Stainless Steel			
	硅胶垫 Silicone gasket	聚氨酯 PU			

说明: 选配的组件详细技术参数等内容, 见其详细页。例如防爆电缆固定头详见/P
Note: For detailed technical parameters and other information of the optional components, please refer to their detailed pages. For example, for the explosion-proof cable gland, please refer to /P.

防爆接线箱 (盒)
Explosion-proof junction box (case)



→ BST5130带格兰板系列 (With Flange Plate) Series



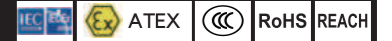
耗散功率数据 Dissipation Power Meter

序号 No.	型号 Model	最大耗散功率(W) Maximum Dissipation Power	箱体外形尺寸 Box Dimensions (mm)		
			长 long A	宽 wide B	高 high C
1	BST5130051E	22.30	400	200	150
2	BST5130061E	37.13	400	400	150
3	BST5130071E	38.18	400	400	150
4	BST5130081E	47.19	500	400	150
5	BST5130091E	55.73	500	500	210
6	BST5130101E	63.38	600	400	210
7	BST5130111E	88.08	700	400	210
8	BST5130121E	157.37	700	700	300
9	BST5130131E	161.52	800	600	300
10	BST5130141E	271.17	1000	800	300
11	BST5130151E	207.30	800	800	400
12	BST5130161E	251.98	900	900	400
13	BST5130171E	577.77	1200	1200	400

防爆接线箱 (盒)
Explosion-proof junction box (case)



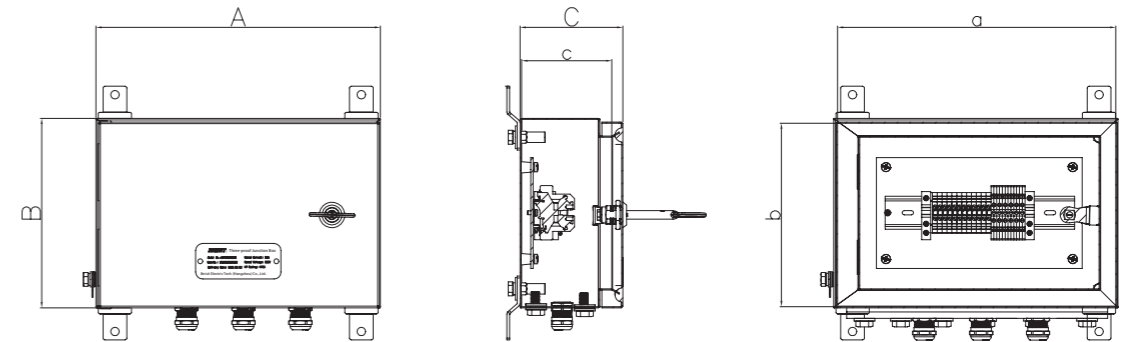
→ BST5130带格兰板系列 (With Flange Plate) Series



开孔数据 Hole Opening Table for Cable Glands of Explosion-proof Enclosures

序号 No.	箱体外形尺寸 Box Dimensions (mm)			型号 Model	开孔区域到箱体边最小距离 Min. dist. from opening area to box edge (mm)	电缆固定头安装面 Cable gland mount surface D E F G	电缆固定头型号 Cable Gland Model													
	长 long A	宽 wide B	高 high C				M12	M16	M16B	M20	M20B	M25	M32	M40	M50	M63				
1	400	200	150	BST5130051E	最小距离≥3	D/E F/G	44	24	24	11	11	8	6	5	/	/	/	/		
2	400	400	150	BST5130061E			44	24	24	11	11	8	6	5	/	/	/	/	/	
3	500	400	150	BST5130071E			44	24	24	11	11	8	6	5	/	/	/	/	/	
4	400	400	210	BST5130081E			56	32	32	14	14	10	8	6	/	/	/	/	/	
5	500	500	210	BST5130091E			41	24	24	10	10	8	6	5	/	/	/	/	/	
6	600	400	210	BST5130101E			70	48	48	40	40	24	12	9	5	4	4	4	4	4
7	700	400	210	BST5130111E			70	48	48	40	40	24	12	9	5	4	4	4	4	4
8	700	700	300	BST5130121E			95	64	64	54	54	30	20	12	7	5	5	5	5	5
9	800	600	300	BST5130131E			95	64	64	54	54	30	20	12	7	5	5	5	5	5
10	1000	800	300	BST5130141E			120	80	80	51	51	39	20	16	7	6	6	6	6	6
11	800	800	400	BST5130151E			74	48	48	30	30	24	12	10	7	4	4	4	4	4
12	900	900	400	BST5130161E			140	112	112	61	61	45	24	18	8	7	7	7	7	7
13	1200	1200	400	BST5130171E			74	48	48	30	30	24	12	10	7	4	4	4	4	4
					252	191	191	140	140	75	48	32	27	18	18	18	18	18		
					252	191	191	140	140	75	48	32	27	18	18	18	18	18		
					297	224	224	168	168	90	56	33	27	23	23	23	23	23		
					216	160	160	119	119	65	40	24	21	12	12	12	12	12		
					378	336	336	217	217	115	72	42	36	22	22	22	22	22		
					297	224	224	168	168	90	56	33	27	16	16	16	16	16		
					429	308	308	240	240	126	84	54	39	32	32	32	32	32		
					429	308	308	240	240	126	84	54	39	32	32	32	32	32		
					481	341	341	297	297	140	96	64	44	30	30	30	30	30		
					481	341	341	297	297	140	96	64	44	30	30	30	30	30		
					714	473	473	370	370	196	126	85	60	39	39	39	39	39		
					714	473	473	370	370	196	126	85	60	39	39	39	39	39		

外形尺寸 Outline drawing



隔爆型防爆箱 Flameproof explosion-proof box



隔爆型防爆箱选型指南 Selection Guide for Flameproof Explosion-proof Boxes

→ BST90/91系列 Series



产品名称 Product Name	产品系列 Product Series	壳体材质 Shell Material	密封材质 Sealing Material	认证类别 Certification Category	防爆标志 Ex-Mark	防护等级 Degree of Protection	环境温度 Temperature Range	箱体编号 Box Number	详细页码 Page Number	图片 Pictures
隔爆空箱 (盒) Flameproof empty enclosure (box)	BST9010B 系列 Series	铸铝 Cast Aluminium (ADC12)						1#~9#	P1-P10	
	BST9030B 系列 Series	不锈钢 Stainless Steel (304/316/316L)	硅胶 Silicone Rubber	IECEX	Ex db II B+H2 Gb Ex tb III C Db	IP66	工作温度 -55℃~+130℃	1#~9#	P1-P11	
	BST9040B 系列 Series	碳钢 Carbon Steel (Q235)						1#~9#	P1-P12	
防爆电控盘装置 Explosion-proof electrical control panel device	BST9110B 系列 Series	铸铝 Cast Aluminium (ADC12)						1#~9#	P1-P10	
	BST9130B 系列 Series	不锈钢 Stainless Steel (304/316/316L)	硅胶 Silicone Rubber	IECEX ATEX CCC 防爆合格证 Qualification	Ex db II B+H2 T6/T5/T4 Gb Ex tb III C T80°C/T95°C/T130°C Db ⊕ II 2 G Ex db II B+ H2 T6/T5/T4 Gb ⊕ II 2 D Ex tb III C T80°C /95°C /130°C Db	IP66	环境温度 -55℃~+40℃/ +55℃/+60℃	1#~9#	P1-P11	
	BST9140B 系列 Series	碳钢 Carbon Steel (Q235)							1#~9#	P1-P12

型号含义 Meaning of the model number

BST	□	□	□	□	□	□
倍仕得 BEISIT	名称 Name 9: 电控盘装置 Electrical control panel device	属性 Stats 0: 空箱 Empty Container 1: 整机 Complete Machine	材质 Material 10: 铸铝 Cast Aluminium(ADC12) 30: 不锈钢 Stainless steel (304, 316, 316L) 40: 碳钢 Carbon steel (Q235)	箱体尺寸代码 Box Size Code 01# 02# 03#	结构形式 Structure Form 1: 螺钉式 Screw type 2: 螺钉+铰链式 Screw + Hinge Type	功能类别 Function Category B: Exd IIB+H2

举例: 01#箱体尺寸300*200*190mm, 型号即为: BST9010012B
For Example: 01# box size is 300*200*190mm, the model is: BST9010012B










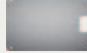


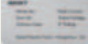





Technical Guidance
Ex e Explosion-proof Enclosure
Ex d Explosion-proof Enclosure
Combined Explosion-proof Enclosure
Ex e Cable Gland
Ex d Cable Gland
Explosion-proof Accessories
Ex Certified Components
Three-proof Case

隔爆空箱（盒）性能表
Performance table for flameproof empty enclosures (boxes)



→ BST9010/30/40B系列 Series

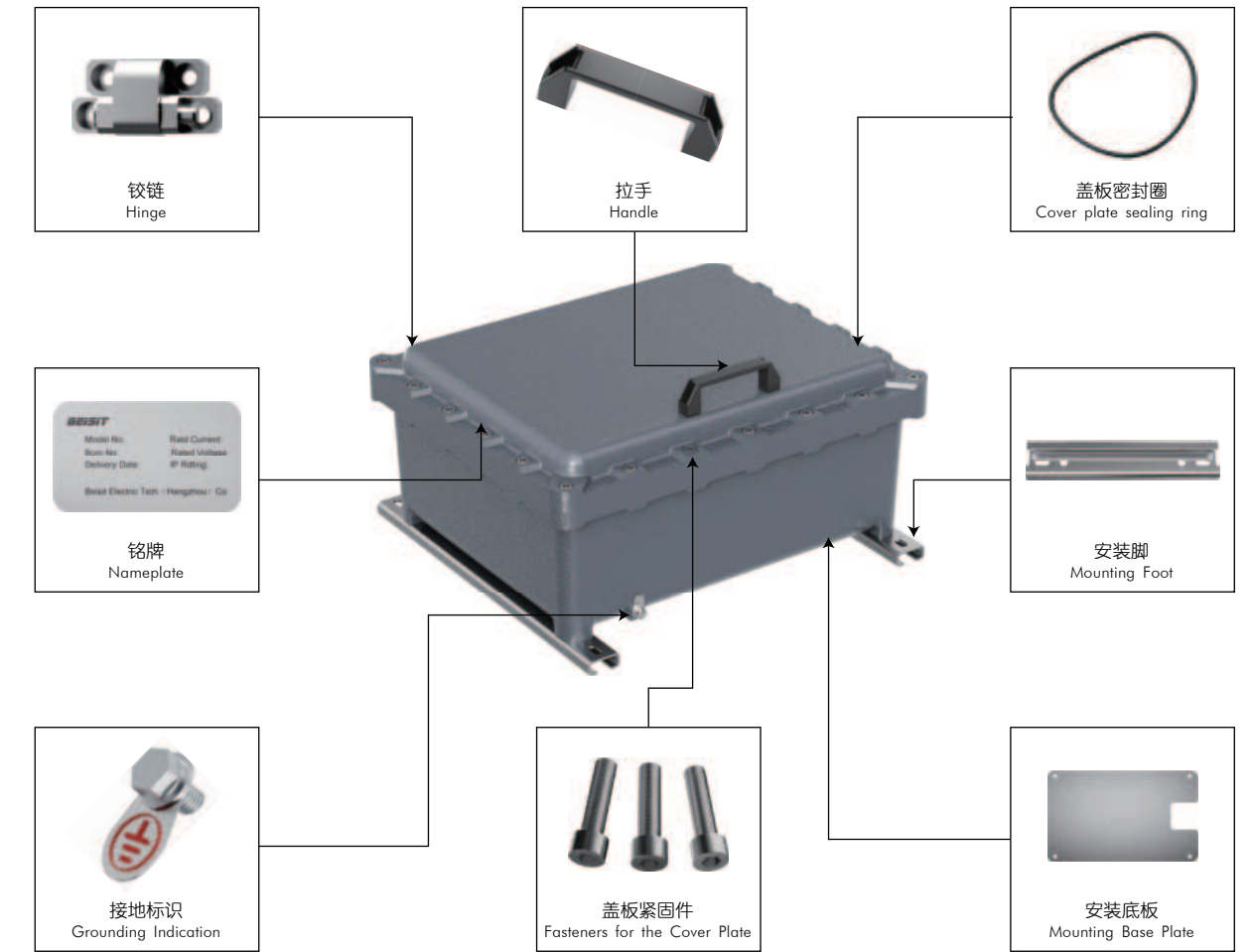


产品系列 Product Series	 BST9010B系列 Series	 BST9030B系列 Series	 BST9040B系列 Series
壳体材料 Shell Material	铸铝系列 Ex Cast Aluminium Series	不锈钢系列 Ex SS Series	碳钢系列 Carbon Steel Series
密封材质 Sealing Material	硅胶 Silicone	硅胶 Polishing/brushing	硅胶 Silicone
表面处理 Surface Treatment	高压静电喷涂 High voltage electrostatic spraying	抛光/拉丝 Polishing/Brushing	高压静电喷涂 High voltage electrostatic spraying
环境 Working Environment	室内、室外、石油化工 Indoor, outdoor, petrochemical	室内、室外、石油化工、海洋工程 Indoor, outdoor, petrochemical, marine engineering	室内、室外、石油化工 Indoor, outdoor, petrochemical
优势 Advantages	免维护、强度高 Maintenance-free, high strength	免维护、强度高 Maintenance-free, high strength	免维护、强度高 Maintenance-free, high strength
防化学腐蚀 Degree of Chemical Corrosion Resistant	好 Good	很好 Excellent	好 Good
防海水腐蚀 Degree of Seawater Corrosion Resistant	好 Good	很好 Excellent	不足 Normal
防紫外线 Degree of UV-Proof	很好 Excellent	很好 Excellent	很好 Excellent
特点 Specifications			
最低工作温度 Min Working Temperature	 -55℃	 -55℃	 -55℃
最高工作温度 Max Working Temperature	 130℃	 130℃	 130℃
抗冲击力 Impact Resistant	7J	10J	10J
IP防护等级 IP Degree of Protection	IP66	IP66	IP66
尺寸 Dimensions			
长x宽x高 (最小) H*W*D(min) mm	300*200*190mm	300*220*190mm	300*220*190mm
长x宽x高 (最大) H*W*D(max) mm	860*660*480mm	860*660*415mm	860*660*415mm
附件 Accessories	 安装底板 Mounting Base Plate	 盖板紧固件 Fasteners for the Cover Plate	 拉手 Handle
	 铭牌 Nameplate	 接地标识 Grounding Indication	 盖板密封圈 Cover plate sealing ring
	 安装脚 Mounting Foot	 安装脚 Mounting Foot	 安装脚 Mounting Foot

隔爆空箱（盒）
Flameproof empty enclosure (box)



→ BST9010B系列 Series



产品描述 Product Description

- 外壳采用铝合金ADC12材质，表面进行喷涂纯环氧树脂粉末，外露紧固件强度为A2-70不锈钢材质。
- 组成部分：安装底板、接地标识、安装脚、盖板紧固件、盖板密封圈、铰链、拉手、铭牌。
- 内部无任何的电器元器件，箱体上无任何的开孔并不带电缆固定头。

产品特点 Product Feature

- 隔爆空箱有国际IECEx认证。
- 防护等级：IP66。
- 工作温度：-55℃~+130℃。
- 适用于爆炸性气体环境1区、2区；爆炸性粉尘环境21区、22区。
- 广泛用于石油开采、炼油、化工、油轮等易燃易爆气体环境，也可用于纤维、面粉、金属加工等可燃性粉尘场所。

隔爆空箱 (盒)
Flameproof empty enclosure (box)



→ BST9010B系列 Series



适用范围 Scope of application : 爆炸性气体环境1区、2区; 爆炸性粉尘环境21区、22区
Zone 1 and Zone 2 in explosive gas atmospheres;
Zone 21 and Zone 22 in explosive dust atmospheres.
防护等级 Protection Level : IP66
抗冲击性能 Impact Resistance : 7J
工作温度 Operating Temperature : -55℃ ~ +130℃
材料 Material : 铝合金 Aluminum Alloy ADC12



认证数据 Authentication Certificate	
认证类别 Certification Category	防爆标志 Ex-Mark
IECEX证书 IECEX Certificate	Ex db II B+H2 Gb Ex tb III C Db

组件数据-标配 Configuration components-Standard

图样 Pattern	名称 Item	材料 Material
	安装底板 Mounting Base Plate	镀锌钢板 Galvanized steel sheet
	接地标识 Grounding Indication	304不锈钢 Stainless Steel
	铰链 Hinge	304不锈钢 Stainless Steel
	安装脚 Mounting Foot	Q235
	盖板紧固件 Fasteners for the Cover Plate	304不锈钢 Stainless Steel
	盖板密封圈 Cover plate sealing ring	硅胶 Silicone
	拉手 Handle	铝合金 Aluminum Alloy
	铭牌 Nameplate	不干胶 Self - adhesive Sticker



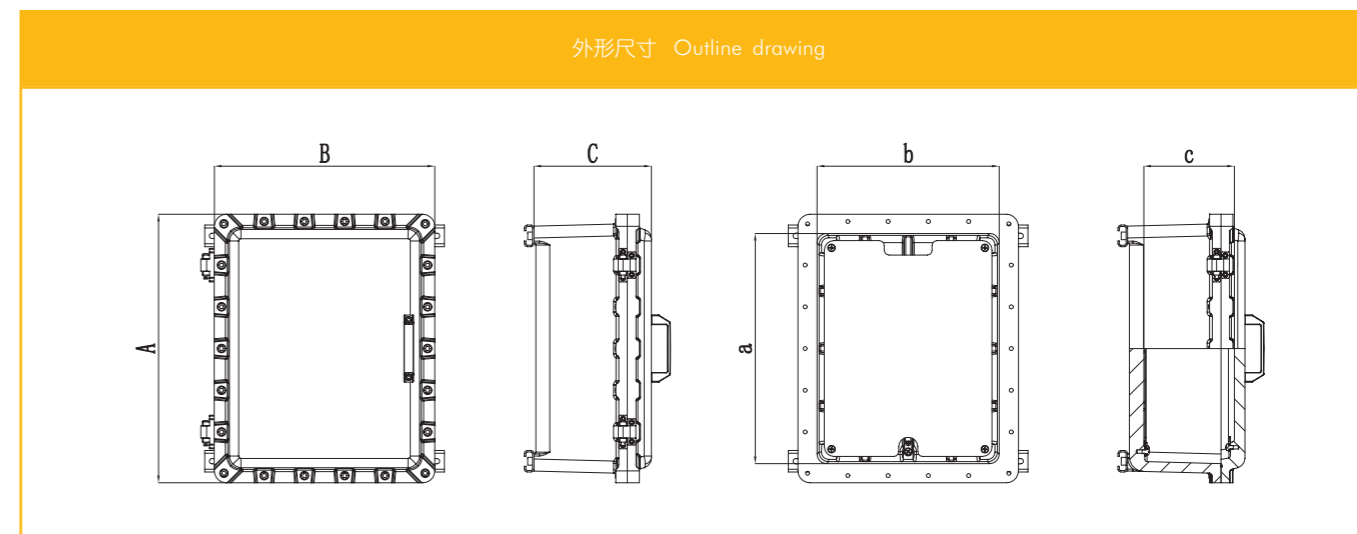
隔爆空箱 (盒)
Flameproof empty enclosure (box)

→ BST9010B系列 Series

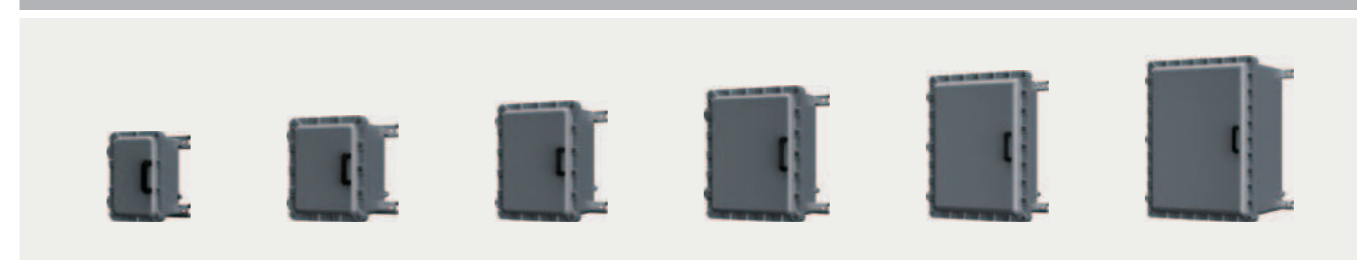


尺寸数据 Size Table of Explosion-proof Empty Boxes

序号 Serial Number	外形尺寸 Overall Dimensions (mm)			内部尺寸 Internal Dimensions (mm)			重量 Weight (kg)	容积 Volume (cm³)	订货号 Order no
	长 long (A)	宽 wide (B)	高 high (C)	长 long (a)	宽 wide (b)	高 high (c)			
1#	300	200	190	239	139	153	10.44	5040	BST9010012B
2#	360	300	245	275	215	190	22.95	11230	BST9010022B
3#	460	360	245	371	271	189	37.34	18980	BST9010032B
4#	560	460	245	471	371	189	55.08	33040	BST9010042B
5#	560	460	340	471	371	284	63.96	48690	BST9010052B
6#	720	560	245	615	450	172	93.25	47600	BST9010062B
7#	720	560	340	615	450	267	108.13	73060	BST9010072B
8#	860	660	340	755	550	264	155.60	109620	BST9010082B
9#	860	660	480	755	550	404	180.66	167760	BST9010092B



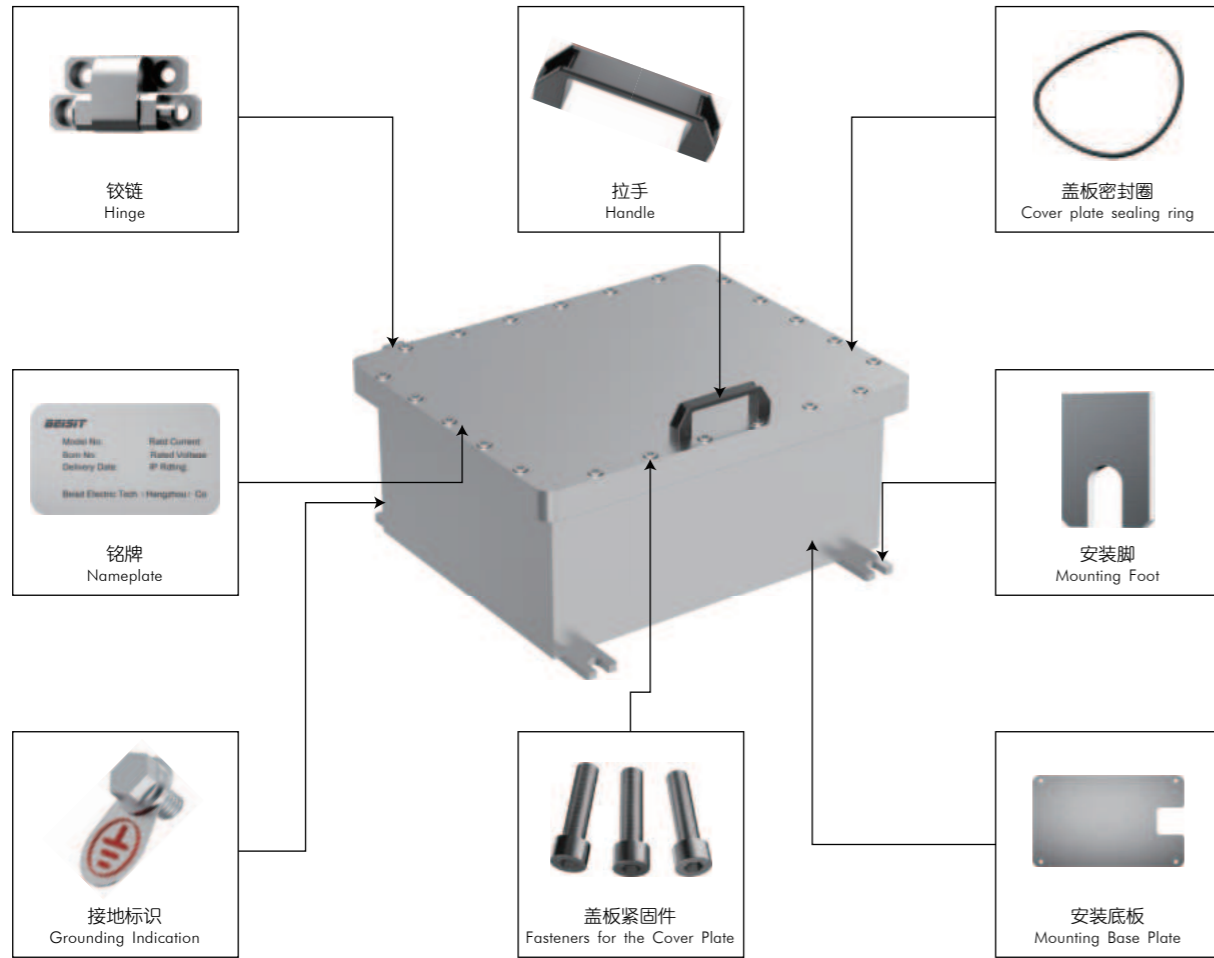
实物图样 Optional Ex-configuration Solutions



隔爆空箱 (盒)
Flameproof empty enclosure (box)



→ BST9030B系列 Series



产品描述 Product Description

1. 外壳采用不锈钢(304、316、316L)材质, 表面拉丝处理, 外露紧固件强度为A2-70不锈钢材质。
2. 组成部分: 安装底板、接地标识、安装脚、盖板紧固件、盖板密封圈、铰链、拉手、铭牌。
3. 内部无任何的电器元器件, 箱体上无任何的开孔并不带电缆固定头。

产品FAB Product Feature

1. 隔爆空箱有国际IECEx认证。
2. 防护等级: IP66。
3. 工作温度: -55°C~+130°C。
4. 适用于爆炸性气体环境1区、2区; 爆炸性粉尘环境21区、22区。
5. 广泛用于石油开采、炼油、化工、油轮等易燃易爆气体环境, 也可用于纤维、面粉、金属加工等可燃性粉尘场所。

隔爆空箱 (盒)
Flameproof empty enclosure (box)



→ BST9030B系列 Series



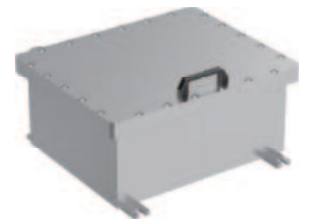
适用范围 Scope of application : 爆炸性气体环境1区、2区; 爆炸性粉尘环境21区、22区
Zone 1 and Zone 2 in explosive gas atmospheres;
Zone 21 and Zone 22 in explosive dust atmospheres.

防护等级 Protection Level : IP66

抗冲击性能 Impact Resistance : 7J

工作温度 Operating Temperature : -55°C~+130°C

材料 Material : 不锈钢 Stainless steel (304、316、316L)



认证数据 Authentication Certificate

认证类别 Certification Category	防爆标志 Ex-Mark
IECEx证书 IECEx Certificate	Ex db II B+H ₂ Gb Ex tb III C Db

组件数据-标配 Configuration components-Standard

图样 Pattern	名称 Item	材料 Material
	安装底板 Mounting Base Plate	镀锌钢板 Galvanized steel sheet
	接地标识 Grounding Indication	304不锈钢 Stainless Steel
	铰链 Hinge	304不锈钢 Stainless Steel
	安装脚 Mounting Foot	Q235
	盖板紧固件 Fasteners for the Cover Plate	304不锈钢 Stainless Steel
	盖板密封圈 Cover plate sealing ring	硅胶 Silicone
	拉手 Handle	铝合金 Aluminum Alloy
	铭牌 Nameplate	不干胶 Self-adhesive Sticker

隔爆空箱 (盒)
Flameproof empty enclosure (box)



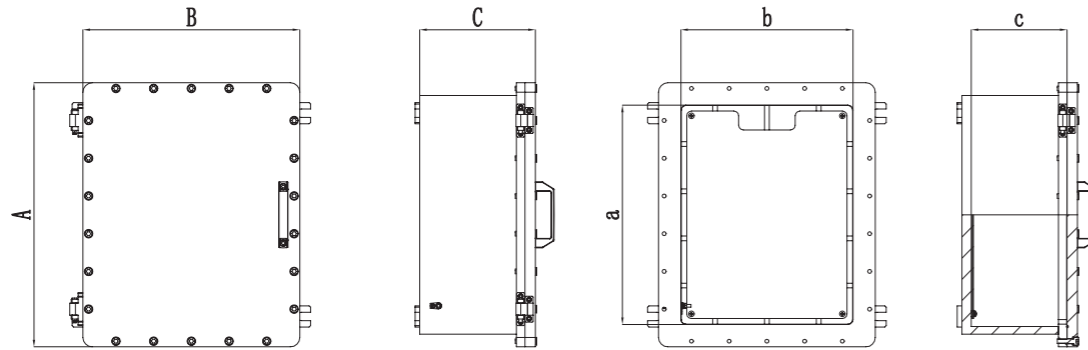
→ BST9030B系列 Series



尺寸数据 Size Table of Explosion-proof Empty Boxes

序号 Serial Number	外形尺寸 Overall Dimensions (mm)			内部尺寸 Internal Dimensions (mm)			重量 Weight (kg)	容积 Volume (cm ³)	订货号 Order no.
	长 long (A)	宽 wide (B)	高 high (C)	长 long (a)	宽 wide (b)	高 high (c)			
1#	300	200	190	254	178	167	21.79	7650	BST9030012B
2#	360	300	190	314	254	167	15.17	13200	BST9030022B
3#	460	360	245	404	304	209	65.51	25870	BST9030032B
4#	560	460	245	488	388	203	106.95	38220	BST9030042B
5#	560	460	340	488	388	298	120.56	57330	BST9030052B
6#	720	560	245	638	478	193	179.31	58360	BST9030062B
7#	720	560	340	638	478	288	196.58	89080	BST9030072B
8#	860	660	245	778	578	193	241.83	85950	BST9030082B
9#	860	660	415	778	578	363	262.75	162860	BST9030092B

外形尺寸 Outline drawing



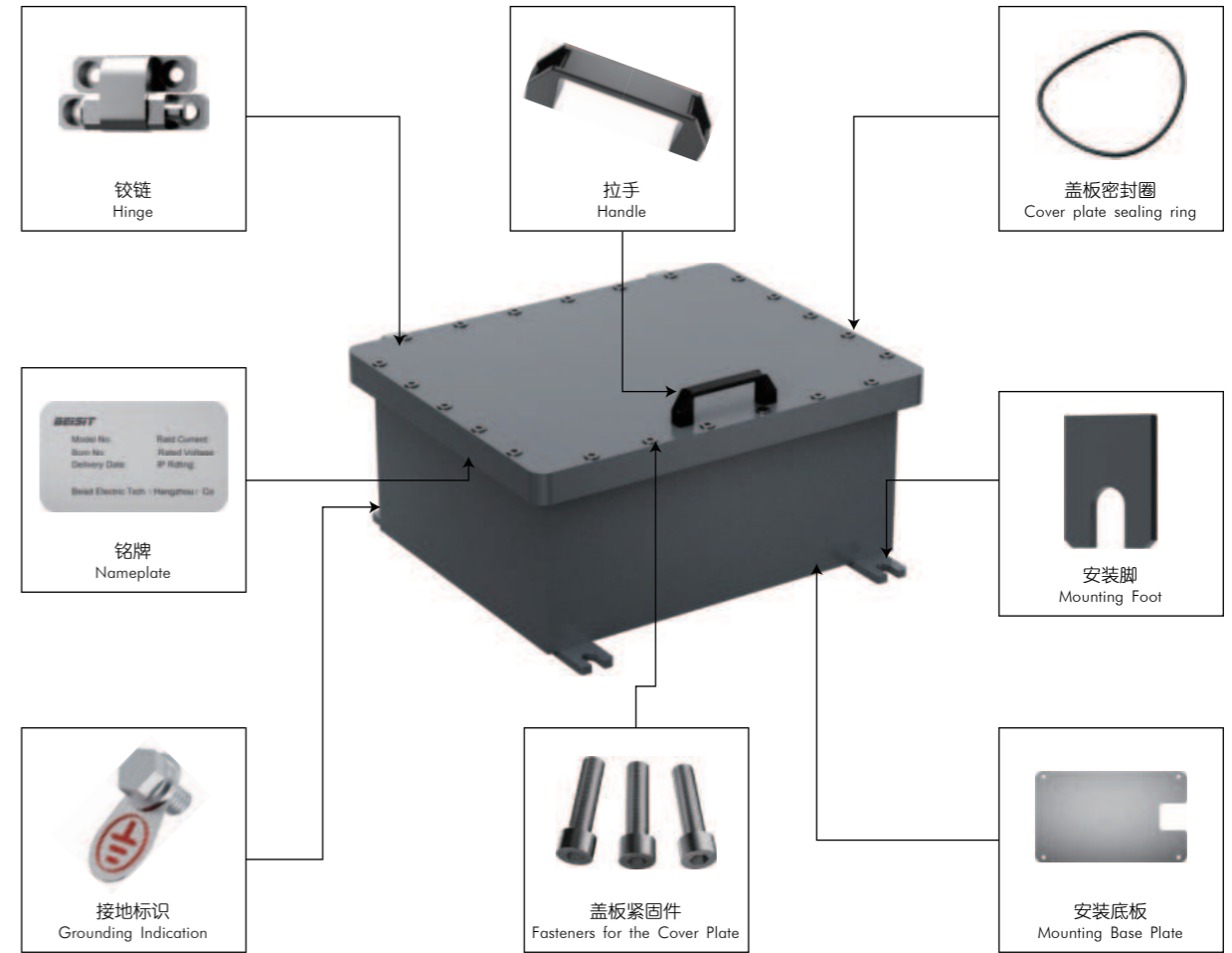
实物图样 Optional Ex-configuration Solutions



隔爆空箱 (盒)
Flameproof empty enclosure (box)



→ BST9040B系列 Series



产品描述 Product Description

1. 外壳采用碳钢材质，表面进行喷涂纯环氧树脂粉末，外露紧固件强度为A2-70不锈钢材质。
2. 组成部分：安装底板、接地标识、安装脚、盖板紧固件、盖板密封圈、铰链、拉手、铭牌。
3. 内部无任何的电器元器件，箱体上无任何的开孔并不带电缆固定头。
1. The enclosure is made of carbon steel. The surface is sprayed with pure epoxy resin powder. The exposed fasteners are made of A2 - 70 stainless steel.
2. Components: Installation base plate, Grounding identification, Installation feet, Cover plate fasteners, Cover plate sealing ring, Hinge, Handle, Nameplate.
3. There are no electrical components inside the enclosure. There are no openings on the enclosure, and it is not equipped with cable glands.

产品FAB Product Feature

1. 隔爆空箱有国际IECEx认证。
2. 防护等级：IP66。
3. 工作温度：-55℃~+130℃。
4. 适用于爆炸性气体环境1区、2区；爆炸性粉尘环境21区、22区。
5. 广泛用于石油开采、炼油、化工、油轮等易燃易爆气体环境，也可用于纤维、面粉、金属加工等可燃性粉尘场所。
1. The flameproof empty box has the international IECEx certification.
2. Protection level: IP66.
3. Operating temperature: -55°C to +130°C.
4. It is suitable for Zone 1 and Zone 2 in explosive gas atmospheres, as well as Zone 21 and Zone 22 in explosive dust atmospheres.
5. It is widely used in flammable and explosive gas environments such as oil extraction, oil refining, chemical engineering, and oil tankers. It can also be used in combustible dust locations like fiber processing, flour milling, and metal processing.

隔爆空箱 (盒)
Flameproof empty enclosure (box)



→ BST9040B系列 Series



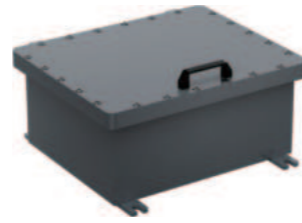
适用范围 Scope of application : 爆炸性气体环境1区、2区; 爆炸性粉尘环境21区、22区
Zone 1 and Zone 2 in explosive gas atmospheres;
Zone 21 and Zone 22 in explosive dust atmospheres.

防护等级 Protection Level : IP66

抗冲击性能 Impact Resistance : 7J

工作温度 Operating Temperature : -55℃~+130℃

材料 Material : 碳钢 Carbon Steel (Q235)



认证数据 Authentication Certificate	
认证类别 Certification Category	防爆标志 Ex-Mark
IECEX证书 IECEX Certificate	Ex db II B+H ₂ Gb Ex tb III C Db

组件数据-标配 Configuration components-Standard

图样 Pattern	名称 Item	材料 Material
	安装底板 Mounting Base Plate	镀锌钢板 Galvanized steel sheet
	接地标识 Grounding Indication	304不锈钢 Stainless Steel
	铰链 Hinge	304不锈钢 Stainless Steel
	安装脚 Mounting Foot	Q235
	盖板紧固件 Fasteners for the Cover Plate	304不锈钢 Stainless Steel
	盖板密封圈 Cover plate sealing ring	硅胶 Silicone
	拉手 Handle	铝合金 Aluminum Alloy
	铭牌 Nameplate	不干胶 Self - adhesive Sticker

隔爆空箱 (盒)
Flameproof empty enclosure (box)

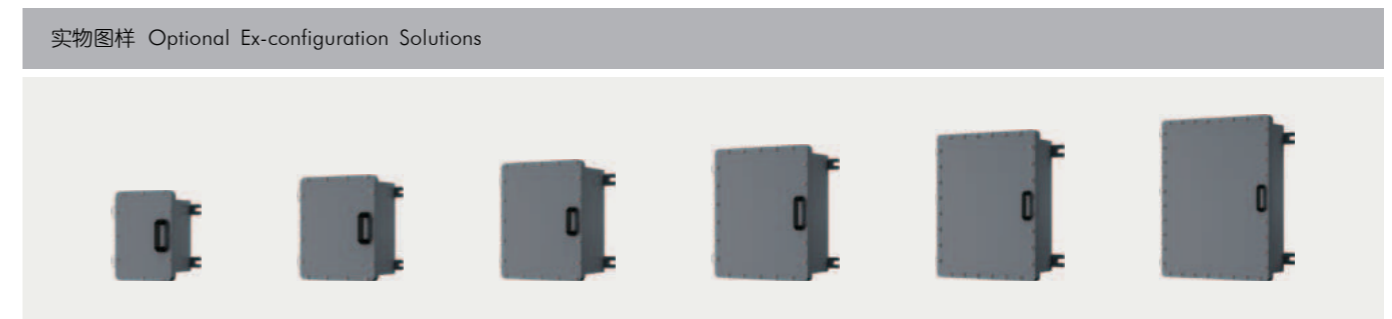
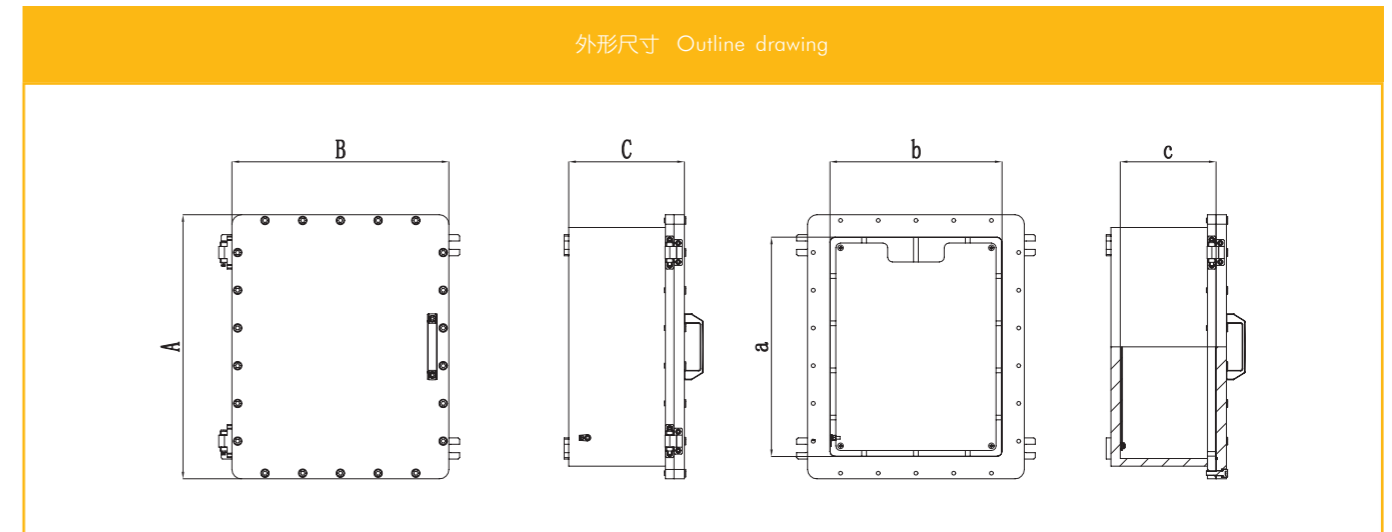


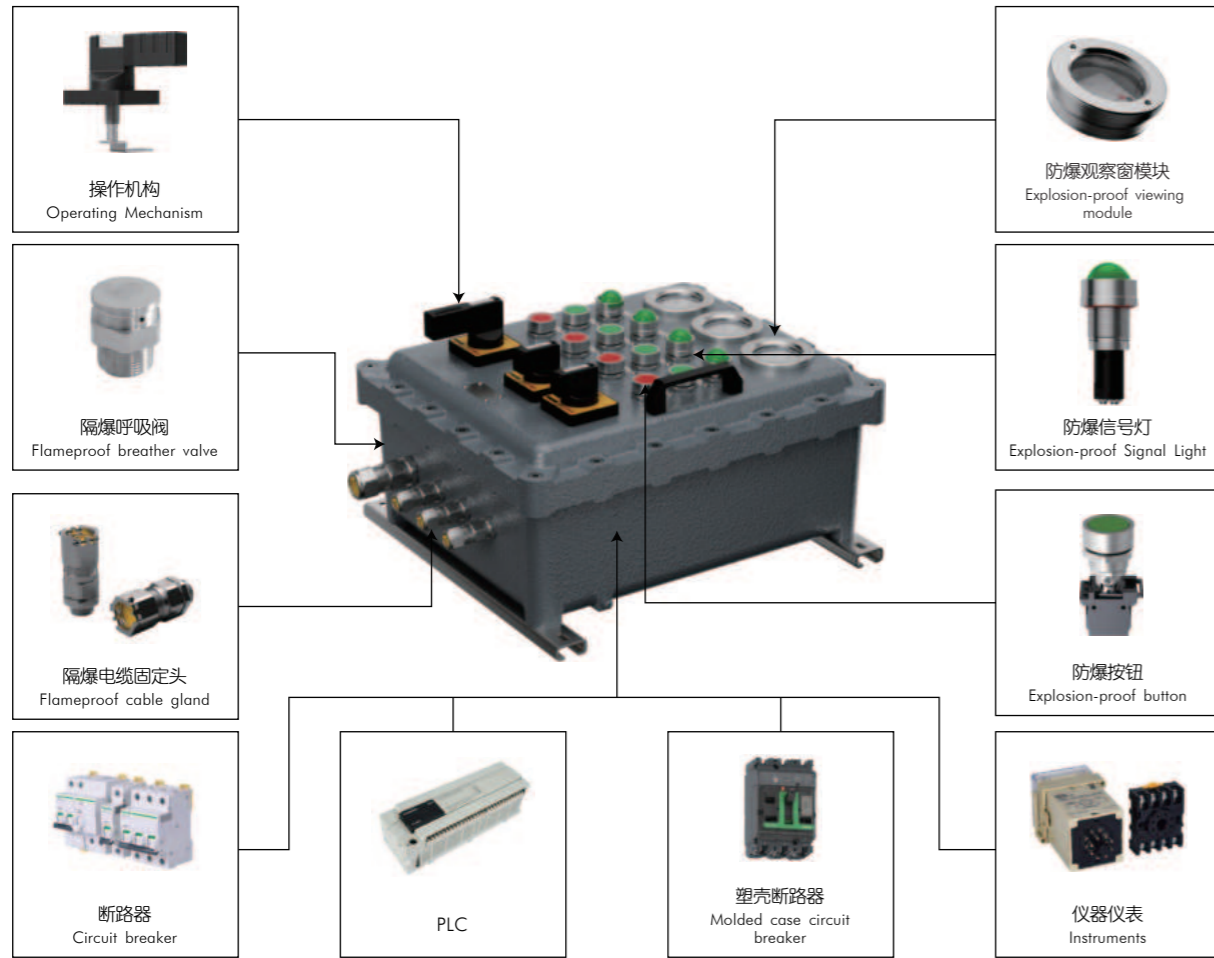
→ BST9040B系列 Series



尺寸数据 Size Table of Explosion-proof Empty Boxes

序号 Serial Number	外形尺寸 Overall Dimensions (mm)			内部尺寸 Internal Dimensions (mm)			重量 Weight (kg)	容积 Volume (cm ³)	订货号 Order no
	长 long (A)	宽 wide (B)	高 high (C)	长 long (a)	宽 wide (b)	高 high (c)			
1#	300	200	190	254	178	167	15.16	7650	BST9040012B
2#	360	300	190	314	254	167	21.78	13200	BST9040022B
3#	460	360	245	404	304	209	65.50	25870	BST9040032B
4#	560	460	245	488	388	203	106.95	38220	BST9040042B
5#	560	460	340	488	388	298	120.55	57330	BST9040052B
6#	720	560	245	638	478	193	179.31	58360	BST9040062B
7#	720	560	340	638	478	288	196.57	89080	BST9040072B
8#	860	660	245	778	578	193	241.83	85950	BST9040082B
9#	860	660	415	778	578	363	262.74	162860	BST9040092B





产品描述 Product Description

1. 外壳采用铝合金ADC12材质，表面进行喷涂纯环氧树脂粉末，外露紧固件强度为A2-70不锈钢材质。
2. 组成部分：安装底板、接地标识、安装脚、盖板紧固件、盖板密封圈、铰链、拉手、铭牌、导轨（接线端子、隔爆呼吸阀、隔爆电缆固定头可根据客户要求配置，客户也可自购自装）。

1. The enclosure is made of aluminum alloy ADC12. Its surface is sprayed with pure epoxy resin powder. The exposed fasteners are made of A2 - 70 stainless steel.
2. Components: Installation base plate, grounding sign, mounting feet, cover plate fasteners, cover plate sealing ring, hinge, handle, nameplate, guide rail. (Terminal blocks, flameproof breather valves and flameproof cable glands can be configured according to customer requirements. Customers can also purchase and install them by themselves.)

产品FAB The FAB of the product

特点 Peculiarity	<p>工作环境温度 Working environment temperature: -55℃~+130℃, 测试温度 Testing temperature: -60℃~+150℃ 隔爆箱可在IB+氢气环境中使用 The flameproof box can be used in the IIB + hydrogen environment. 隔爆箱面板Ex元件均取认证 All Ex components on the flameproof box panel are certified. 隔爆箱壁厚20mm以上, 箱体强度高, 水压测试可达到2.4MPa The wall thickness of the flameproof box is over 20mm, with high strength, and it can withstand a water pressure test of up to 2.4MPa. 防护等级 Protection level: IP66</p>
优点 Strength	<p>国内外证书齐全: IECEx、ATEX、CCC、防爆合格证。 It has a full range of domestic and foreign certificates, such as IECEx, ATEX, CCC and Explosion-proof Certificate. 规格种类齐全, 一共有9种规格, 最小规格是300x200x190mm, 最大规格是860x660x480mm。 There are 9 specifications in total, ranging from the smallest 300x200x190mm (unit unspecified) to the largest 860x660x480mm (unit unspecified).</p>
价值 Value	<p>纯隔爆型安全系数更高-国内 The pure flameproof type has a higher safety factor - in the domestic market. 可接受OEM、ODM合作方式(保密性、隐蔽性更强)-国外 OEM and ODM cooperation modes are acceptable (with stronger confidentiality and concealment) - in the overseas market.</p>

适用范围 Scope of application : 爆炸性气体环境1区、2区; 爆炸性粉尘环境21区、22区
Zone 1 and Zone 2 in explosive gas atmospheres;
Zone 21 and Zone 22 in explosive dust atmospheres.

防护等级 Protection Level : IP66

抗冲击性能 Impact Resistance : 7J

使用环境温度 Operating ambient temperature : -55℃≤Ta≤+60℃

额定电压 Rated voltage : 最大 Max. AC690V

额定电流 Rated current : 最大 Max. 630A

材料 Material : 铝合金 Aluminum Alloy ADC12



认证数据 Authentication Certificate

认证类别 Certification Category	防爆标志 Ex-Mark	认证类别 Certification Category	防爆标志 Ex-Mark
IECEx证书 IECEx Certificate	Ex db II B+H ₂ T6/T5/T4 Gb Ex tb III C T80 C/T95 C/T130 C Db	CCC证书 CCC Certificate	Ex db II B+H ₂ T6/T5/T4 Gb Ex tb III C T80 C/T95 C/T130 C Db
ATEX证书 ATEX Certificate	Ⓜ II 2 G Ex db II B+H ₂ T6/T5/T4 Gb Ⓜ II 2 D Ex tb III C T80 C/T95 C/T130 C Db	防爆合格证 Certificate	Ex db II B+H ₂ T6/T5/T4 Gb Ex tb III C T80 C/T95 C/T130 C Db

组件数据-标配 Configuration components-Standard

图样 Pattern	名称 Item	材料 Material	图样 Pattern	名称 Item	材料 Material
	安装底板 Mounting Base Plate	镀锌钢板 Galvanized steel sheet		接地标识 Grounding Indication	304不锈钢 Stainless Steel
	盖板紧固件 Fasteners for the Cover Plate	304不锈钢 Stainless Steel		铰链 Hinge	304不锈钢 Stainless Steel
	盖板密封圈 Cover plate sealing ring	硅胶 Silicone		安装脚 Mounting Foot	Q235
	铭牌 Nameplate	304不锈钢 Stainless Steel		拉手 Handle	铝合金 Aluminum Alloy



→ BST9110B系列 Series

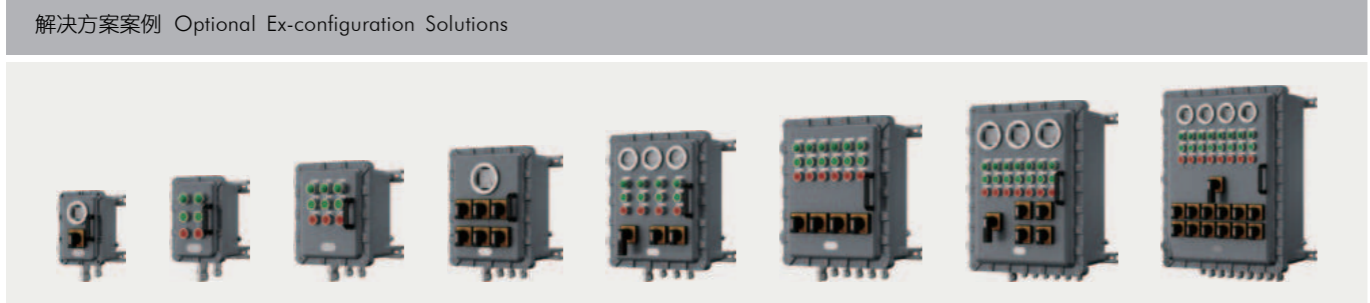
组件数据-选配 Configuration components-Optional

图样 Pattern	名称 Item	备注 Remark	图样 Pattern	名称 Item	备注 Remark
	防爆信号灯 Explosion-proof Signal Light	BST		操作机构A Operating mechanism A	BST
	防爆按钮 Explosion-proof button			操作机构B Operating mechanism B	
	防爆按钮(急停) Flameproof E-stop button			防爆观察窗模块 Explosion-proof viewing module	
	防爆带灯按钮 Flameproof illuminated button			防爆呼吸阀 Explosion-proof breathing valve	
	防爆开关 Explosion-proof switch			防爆电缆固定头 Flameproof cable gland	

元件数据-选配 Component-Optional

图样 Pattern	名称 Item	备注 Remark	图样 Pattern	名称 Item	备注 Remark
	断路器 Breaker	施耐德 Schneider ABB 西门子 Siemens		接线端子 Terminal Blocks	魏德米勒 Weidmuller 菲尼克斯 Phoenix
	塑壳断路器 Molded case circuit breaker	施耐德 Schneider ABB 西门子 Siemens		浪涌保护器 Surge protector	施耐德 Schneider 天津中力 C-Power
	PLC	施耐德 Schneider ABB 西门子 Siemens		时间继电器 Time relay	施耐德 Schneider 欧姆龙 Omron
	仪器仪表 Instrumentation	欧姆龙 Omron		漏电保护器 Leakage protector	施耐德 Schneider

说明: 选配的组件详细技术参数等内容, 见其详细页。
Note: For detailed technical parameters of the optional components, please see their detailed pages.



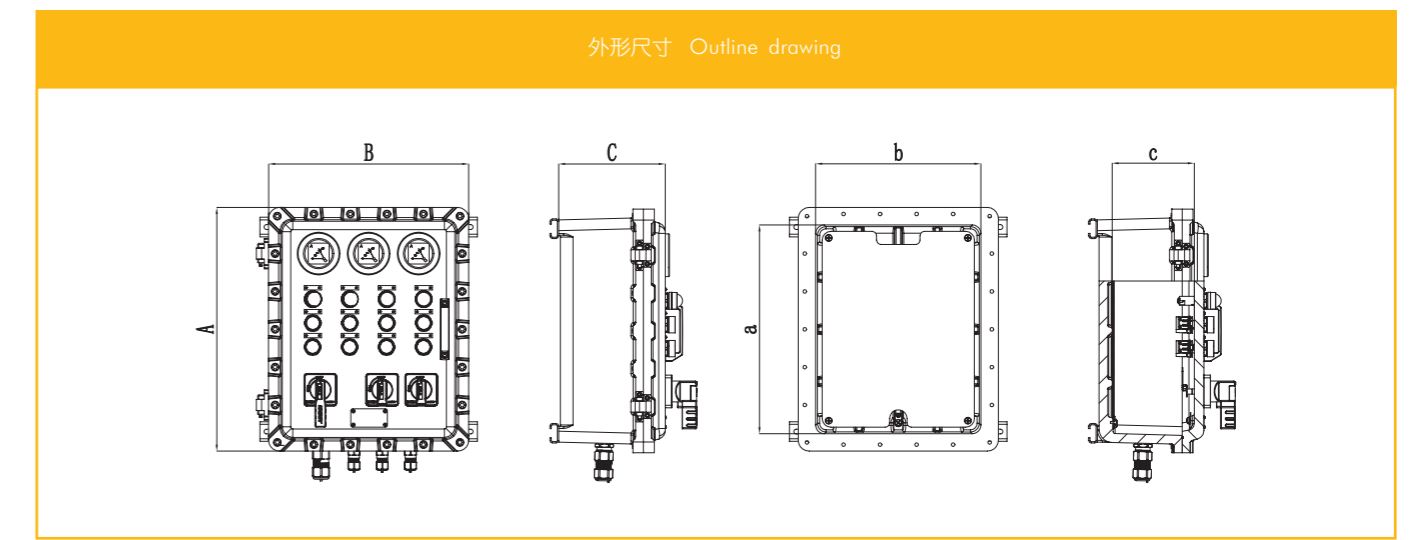
→ BST9110B系列 Series

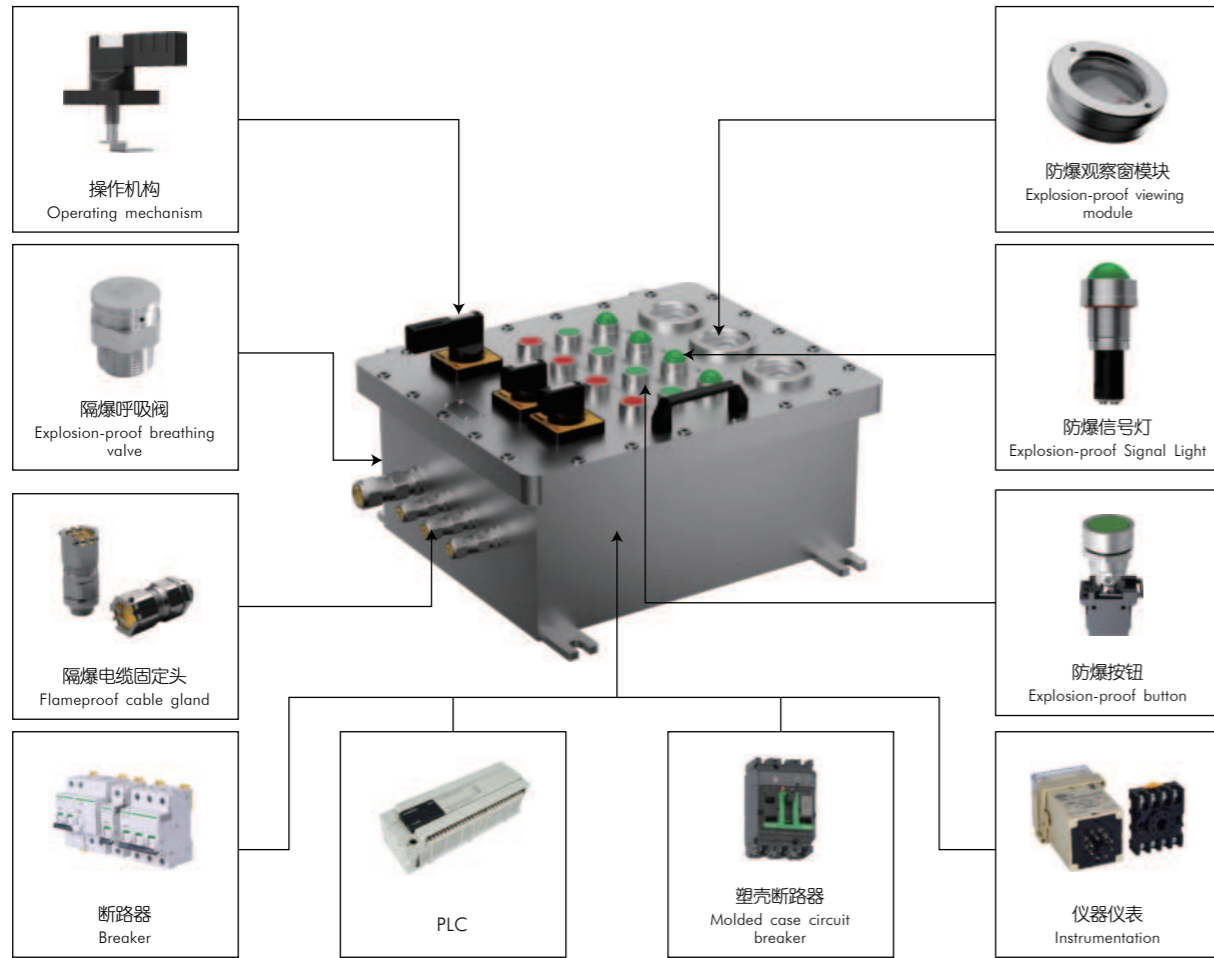
耗散功率数据 Dissipation Power Meter

序号 No.	型号 Model	最大耗散功率(W) Maximum Dissipation Power	箱体外形尺寸 Box Dimensions (mm)		
			长 long A	宽 wide B	高 high C
1	BST9110012B	50	300	200	190
2	BST9110022B	80	360	300	245
3	BST9110032B	150	460	360	245
4	BST9110042B	200	560	460	245
5	BST9110052B	220	560	460	340
6	BST9110062B	340	720	560	245
7	BST9110072B	400	720	560	340
8	BST9110082B	500	860	660	340
9	BST9110092B	650	860	660	480

开孔数据 Drilling Hole Table for Cable Glands on Flameproof Enclosures

序号 No.	箱体外形尺寸 Box Dimensions (mm)			型号 Model	电缆固定头安装面 Cable gland mount surface F D E G	电缆固定头型号 Cable Gland Model											
	长 long A	宽 wide B	高 high C			M16	M20	M25	M32	M40	M50	M63	M75	M80	M90	M100	
1	300	200	190	BST9110012B	D/E F/G	5	4	3	2	1	1	1	1	1	/	/	
2	360	300	245	BST9110022B		8	8	5	3	2	2	1	1	1	1	/	/
3	460	360	245	BST9110032B		9	8	6	4	3	2	1	1	1	1	1	1
4	560	460	245	BST9110042B		12	11	6	6	4	2	2	1	1	1	1	1
5	560	460	340	BST9110052B		12	8	6	5	3	2	2	1	1	1	1	1
6	720	560	245	BST9110062B		17	12	10	7	4	3	2	2	2	2	2	1
7	720	560	340	BST9110072B		13	12	10	6	4	3	2	2	2	2	2	1
8	860	660	340	BST9110082B		16	14	12	8	5	3	3	2	2	2	2	2
9	860	660	480	BST9110092B		24	24	15	11	6	5	3	2	2	2	2	2
					32	28	18	14	8	6	4	3	3	3	2	2	
					16	14	8	5	4	3	3	2	2	/	/	/	
					20	20	11	7	5	4	3	3	3	/	/	/	
					30	23	18	10	8	5	3	2	2	2	2	2	
					40	32	24	13	10	7	4	3	3	3	3	2	
					31	24	20	12	10	6	4	3	3	2	2	2	
					43	36	27	16	13	8	5	4	4	3	3	3	
					54	44	28	24	15	9	6	6	5	4	3	3	
					78	67	41	32	20	13	8	8	7	5	4	4	





产品描述 Product Description

1. 外壳采用不锈钢(304、316、316L)材质，表面拉丝处理，外露紧固件强度为A2-70不锈钢材质。
 2. 组成部分：安装底板、接地标识、安装脚、盖板紧固件、盖板密封圈、铰链、拉手、铭牌、导轨（接线端子、隔爆呼吸阀、隔爆电缆固定头可根据客户要求配置，客户也可自购自装）。
 3. 装置整机可选装带法兰认证的箱体结构，格兰孔可根据用户情况自行开孔，方便现场施工维护。
1. The enclosure is made of stainless steel (304, 316, 316L), with a brushed surface treatment. The exposed fasteners are made of A2 - 70 stainless steel.
 2. Components: Installation base plate, grounding mark, installation feet, cover fasteners, cover sealing ring, hinge, handle, nameplate, guide rail (Wiring terminals, explosion-proof breather valve, and explosion-proof cable gland can be configured according to the customer's requirements. Customers can also purchase and install them by themselves).
 3. The whole device can be optionally equipped with a box structure with a certified flange plate. The cable gland holes can be drilled according to the user's requirements, which facilitates on - site construction and maintenance.

产品FAB The FAB of the product

特点 Peculiarity	<p>工作环境温度 Working environment temperature: -55℃~+130℃, 测试温度 Testing temperature: -60℃~+150℃</p> <p>隔爆箱可在II B+氢气环境中使用 The flameproof box can be used in the II B + hydrogen environment.</p> <p>隔爆箱面板Ex元件均取认证 All Ex components on the flameproof box panel are certified.</p> <p>隔爆箱壁厚20mm以上，箱体强度高，水压测试可达到2.4MPa</p> <p>The wall thickness of the flameproof box is over 20mm, with high strength, and it can withstand a water pressure test of up to 2.4MPa.</p> <p>防护等级 Protection level: IP66</p>
优点 Strength	<p>国内外证书齐全：IECEX、ATEX、CCC、防爆合格证。</p> <p>It has a full range of domestic and foreign certificates, such as IECEX, ATEX, CCC and Explosion-proof Certificate.</p> <p>规格种类齐全，一共有9种规格，最小规格是300x220x190mm，最大规格是860x660x415mm。</p> <p>There are 9 specifications in total, ranging from the smallest 300x220x190mm (unit unspecified) to the largest 860x660x415mm (unit unspecified).</p>
价值 Value	<p>纯隔爆型安全系数更高-国内 The pure flameproof type has a higher safety factor - in the domestic market.</p> <p>可接受OEM、ODM合作方式（保密性、隐蔽性更强）-国外</p> <p>OEM and ODM cooperation modes are acceptable (with stronger confidentiality and concealment) - in the overseas market.</p>

适用范围 Scope of application :

爆炸性气体环境1区、2区；爆炸性粉尘环境21区、22区
Zone 1 and Zone 2 in explosive gas atmospheres;
Zone 21 and Zone 22 in explosive dust atmospheres.

防护等级 Protection Level :

IP66

抗冲击性能 Impact Resistance :

10J

使用环境温度 Operating ambient temperature :

-55℃≤Ta≤+60℃

额定电压 Rated voltage :

最大 Max. AC690V

额定电流 Rated current :

最大 Max. 630A

材料 Material :

不锈钢 Stainless Steel (304、316、316L)



认证数据 Authentication Certificate

认证类别 Certification Category	防爆标志 Ex-Mark	认证类别 Certification Category	防爆标志 Ex-Mark
IECEX证书 IECEX Certificate	Ex db II B+H ₂ T6/T5/T4 Gb Ex tb III C T80 C/T95 C/T130 C Db	CCC证书 CCC Certificate	Ex db II B+H ₂ T6/T5/T4 Gb Ex tb III C T80 C/T95 C/T130 C Db
ATEX证书 ATEX Certificate	Ⓜ II 2 G Ex db II B+H ₂ T6/T5/T4 Gb Ⓜ II 2 D Ex tb III C T80 C/T95 C/T130 C Db	防爆合格证 Certificate	Ex db II B+H ₂ T6/T5/T4 Gb Ex tb III C T80 C/T95 C/T130 C Db

组件数据-标配 Configuration components-Standard

图样 Pattern	名称 Item	材料 Material	图样 Pattern	名称 Item	材料 Material
	安装底板 Mounting Base Plate	镀锌钢板 Galvanized steel sheet		接地标识 Grounding Indication	304不锈钢 Stainless Steel
	盖板紧固件 Fasteners for the Cover Plate	304不锈钢 Stainless Steel		铰链 Hinge	304不锈钢 Stainless Steel
	盖板密封圈 Cover plate sealing ring	硅胶 Silicone		安装脚 Mounting Foot	Q235
	铭牌 Nameplate	304不锈钢 Stainless Steel		拉手 Handle	铝合金 Aluminum Alloy

→ BST9130B系列 Series

组件数据-选配 Configuration components-Optional

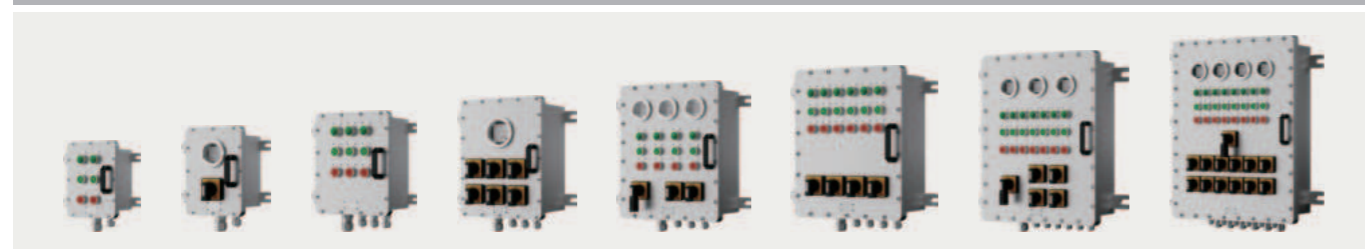
图样 Pattern	名称 Item	备注 Remark	图样 Pattern	名称 Item	备注 Remark
	防爆信号灯 Explosion-proof Signal Light	BST		操作机构A Operating mechanism A	BST
	防爆按钮 Explosion-proof button			操作机构B Operating mechanism B	
	防爆按钮(急停) Flameproof E-stop button			防爆观察窗模块 Explosion-proof viewing module	
	防爆带灯按钮 Flameproof illuminated button			防爆呼吸阀 Explosion-proof breathing valve	
	防爆开关 Explosion-proof switch			防爆电缆固定头 Flameproof cable gland	

元件数据-选配 Component-Optional

图样 Pattern	名称 Item	备注 Remark	图样 Pattern	名称 Item	备注 Remark
	断路器 Breaker	施耐德 Schneider ABB 西门子 Siemens		接线端子 Terminal Blocks	魏德米勒 Weidmuller 菲尼克斯 Phoenix
	塑壳断路器 Molded case circuit breaker	施耐德 Schneider ABB 西门子 Siemens		浪涌保护器 Surge protector	施耐德 Schneider 天津中力 C-Power
	PLC	施耐德 Schneider ABB 西门子 Siemens		时间继电器 Time relay	施耐德 Schneider 欧姆龙 Omron
	仪器仪表 Instrumentation	欧姆龙 Omron		漏电保护器 Leakage protector	施耐德 Schneider

说明: 选配的组件详细技术参数等内容, 见其详细页。
Note: For detailed technical parameters of the optional components, please see their detailed pages.

解决方案案例 Optional Ex-configuration Solutions



→ BST9130B系列 Series

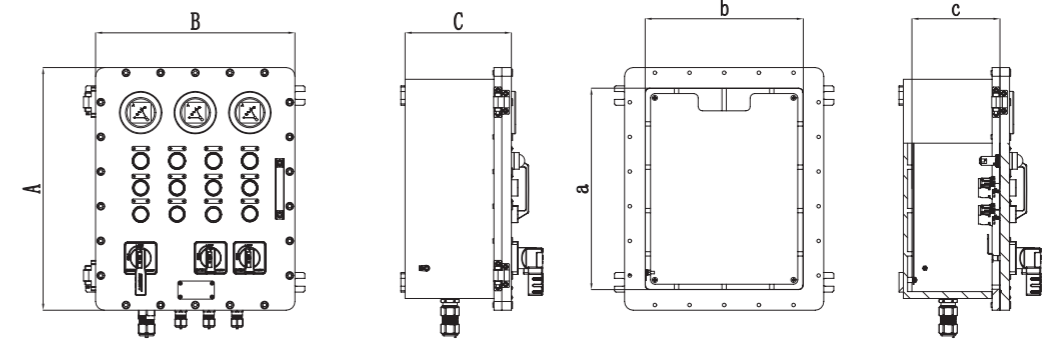
耗散功率数据 Dissipation Power Meter

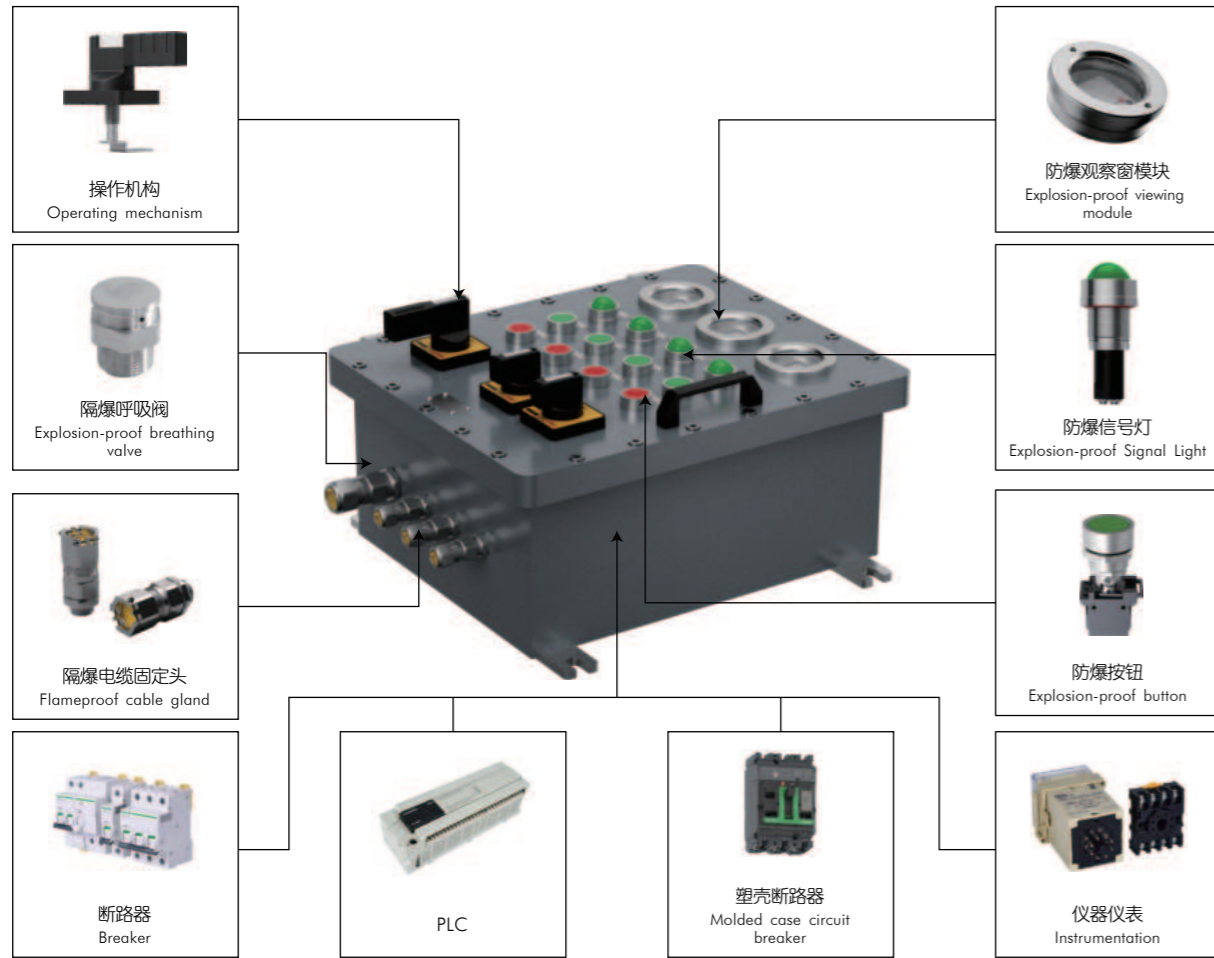
序号 No.	型号 Model	最大耗散功率(W) Maximum Dissipation Power	箱体外形尺寸 Box Dimensions (mm)		
			长 long A	宽 wide B	高 high C
1	BST9130012B	55	300	200	190
2	BST9130022B	85	360	300	190
3	BST9130032B	200	460	360	245
4	BST9130042B	230	560	460	245
5	BST9130052B	300	560	460	340
6	BST9130062B	440	720	560	245
7	BST9130072B	500	720	560	340
8	BST9130082B	550	860	660	245
9	BST9130092B	650	860	660	415

开孔数据 Drilling Hole Table for Cable Glands on Flameproof Enclosures

序号 No.	箱体外形尺寸 Box Dimensions (mm)			型号 Model	电缆固定头安装面 Cable gland mount surface F D E G	电缆固定头型号 Cable Gland Model												
	长 long A	宽 wide B	高 high C			M16	M20	M25	M32	M40	M50	M63	M75	M80	M90	M100		
1	300	200	190	BST9130012B	D/E F/G	11	6	6	4	2	2	1	1	1	1	1	1	
2	360	300	190	BST9130022B		15	10	8	6	3	2	2	1	1	1	1	1	1
3	460	360	245	BST9130032B		18	12	8	8	3	2	2	2	2	1	1	1	1
4	560	460	245	BST9130042B		18	15	12	8	6	3	2	2	2	2	1	1	1
5	560	460	340	BST9130052B		24	21	17	10	8	3	3	2	2	2	2	2	2
6	720	560	245	BST9130062B		21	21	10	8	8	3	3	2	2	2	2	2	2
7	720	560	340	BST9130072B		27	24	14	12	10	4	3	3	3	2	2	2	2
8	860	660	245	BST9130082B		35	34	20	12	11	6	5	4	2	2	2	2	2
9	860	660	415	BST9130092B		45	40	28	18	14	8	6	5	3	3	2	2	2
					27	24	16	10	9	4	3	3	2	2	2	2	2	
					36	33	18	14	12	5	4	3	3	3	3	3	3	
					45	32	21	15	10	8	6	3	3	2	2	2	2	
					60	44	35	21	12	10	8	4	4	4	3	3	3	
					33	30	16	13	11	4	4	3	3	3	3	3	3	
					42	39	26	18	14	6	5	4	4	4	3	3	3	
					55	40	31	20	10	8	7	3	3	3	3	3	3	
					70	52	43	27	14	12	10	4	4	4	4	3	3	

外形尺寸 Outline drawing





产品描述 Product Description

1. 外壳采用碳钢材质，表面进行喷涂纯环氧树脂粉末，外露紧固件强度为A2-70不锈钢材质。
 2. 组成部分：安装底板、接地标识、安装脚、盖板紧固件、盖板密封圈、铰链、拉手、铭牌、导轨（防爆接线端子、防爆呼吸阀、隔爆电缆固定头可根据客户要求配置，客户也可自购自装）。
 3. 装置整机可选装带法兰板认证的箱体结构，格兰孔可根据用户情况自定开孔，方便现场施工维护。
1. The enclosure is made of carbon steel, and its surface is sprayed with pure epoxy resin powder. The exposed fasteners are made of A2 - 70 stainless steel.
2. Components: mounting base plate, grounding sign, mounting feet, cover plate fasteners, cover plate sealing ring, hinge, handle, nameplate, guide rail. (Flameproof terminal blocks, explosion - proof breather valves, and flameproof cable glands can be configured according to customer requirements. Customers can also purchase and install them by themselves.)
3. The entire device can be optionally equipped with a certified flange plate-equipped box structure. The cable gland holes can be drilled according to the user's specific requirements, which facilitates on-site construction and maintenance.

产品FAB The FAB of the product

特点 Peculiarity	<p>工作环境温度 Working environment temperature: -55°C~+130°C, 测试温度 Testing temperature: -60°C~+150°C 隔爆箱可在II B+氢气环境中使用 The flameproof box can be used in the II B + hydrogen environment. 隔爆箱面板Ex元件均取认证 All Ex components on the flameproof box panel are certified. 隔爆箱壁厚20mm以上, 箱体强度高, 水压测试可达到2.4MPa The wall thickness of the flameproof box is over 20mm, with high strength, and it can withstand a water pressure test of up to 2.4MPa. 防护等级 Protection level: IP66</p>
优点 Strength	<p>国内外证书齐全: IECEx、ATEX、CCC、防爆合格证。 It has a full range of domestic and foreign certificates, such as IECEx, ATEX, CCC and Explosion-proof Certificate. 规格种类齐全, 一共有9种规格, 最小规格是300x220x190mm, 最大规格是860x660x415mm。 There are 9 specifications in total, ranging from the smallest 300x220x190mm (unit unspecified) to the largest 860x660x415mm (unit unspecified).</p>
价值 Value	<p>纯隔爆型安全系数更高-国内 The pure flameproof type has a higher safety factor - in the domestic market. 可接受OEM、ODM合作方式(保密性、隐蔽性更强)-国外 OEM and ODM cooperation modes are acceptable (with stronger confidentiality and concealment) - in the overseas market.</p>

适用范围 Scope of application :

爆炸性气体环境1区、2区; 爆炸性粉尘环境21区、22区
Zone 1 and Zone 2 in explosive gas atmospheres;
Zone 21 and Zone 22 in explosive dust atmospheres.

防护等级 Protection Level :

IP66

抗冲击性能 Impact Resistance :

10J

使用环境温度 Operating ambient temperature :

-55°C≤Ta≤+60°C

额定电压 Rated voltage :

最大 Max. AC690V

额定电流 Rated current :

最大 Max. 630A

材料 Material :

碳钢 Carbon Steel (Q235)



认证数据 Authentication Certificate

认证类别 Certification Category	防爆标志 Ex-Mark	认证类别 Certification Category	防爆标志 Ex-Mark
IECEx证书 IECEx Certificate	Ex db II B+H ₂ T6/T5/T4 Gb Ex tb III C T80 C/T95 C/T130 C Db	CCC证书 CCC Certificate	Ex db II B+H ₂ T6/T5/T4 Gb Ex tb III C T80 C/T95 C/T130 C Db
ATEX证书 ATEX Certificate	Ⓜ II 2 G Ex db II B+H ₂ T6/T5/T4 Gb Ⓜ II 2 D Ex tb III C T80 C/T95 C/T130 C Db	防爆合格证 Certificate	Ex db II B+H ₂ T6/T5/T4 Gb Ex tb III C T80 C/T95 C/T130 C Db

组件数据-标配 Configuration components-Standard

图样 Pattern	名称 Item	材料 Material	图样 Pattern	名称 Item	材料 Material
	安装底板 Mounting Base Plate	镀锌钢板 Galvanized steel sheet		接地标识 Grounding Indication	304不锈钢 Stainless Steel
	盖板紧固件 Fasteners for the Cover Plate	304不锈钢 Stainless Steel		铰链 Hinge	304不锈钢 Stainless Steel
	盖板密封圈 Cover plate sealing ring	硅胶 Silicone		安装脚 Mounting Foot	Q235
	铭牌 Nameplate	304不锈钢 Stainless Steel		拉手 Handle	铝合金 Aluminum Alloy

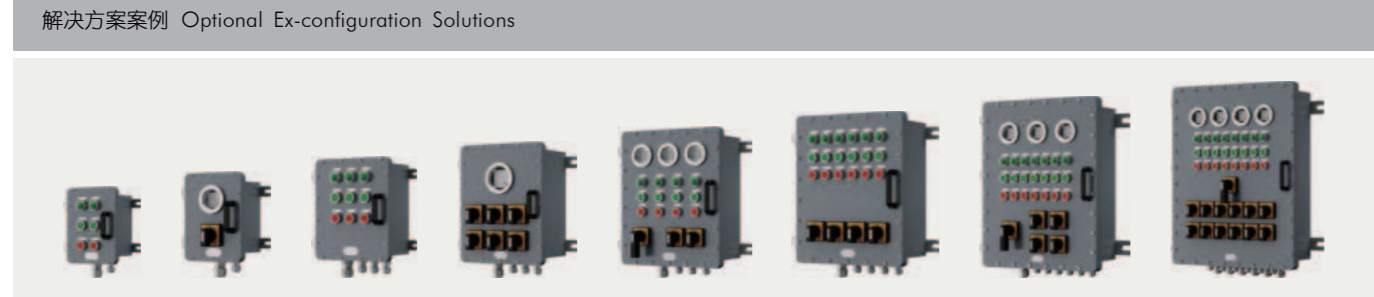
→ BST9140B系列 Series



组件数据-选配 Configuration components-Optional					
图样 Pattern	名称 Item	备注 Remark	图样 Pattern	名称 Item	备注 Remark
	防爆信号灯 Explosion-proof Signal Light	BST		操作机构A Operating mechanism A	BST
	防爆按钮 Explosion-proof button			操作机构B Operating mechanism B	
	防爆按钮 (急停) Flameproof E-stop button			防爆观察窗模块 Explosion-proof viewing module	
	防爆带灯按钮 Flameproof illuminated button			防爆呼吸阀 Explosion-proof breathing valve	
	防爆开关 Explosion-proof switch			防爆电缆固定头 Flameproof cable gland	

元件数据-选配 Component-Optional					
图样 Pattern	名称 Item	备注 Remark	图样 Pattern	名称 Item	备注 Remark
	断路器 Breaker	施耐德 Schneider ABB 西门子 Siemens		接线端子 Terminal Blocks	魏德米勒 Weidmuller 菲尼克斯 Phoenix
	塑壳断路器 Molded case circuit breaker	施耐德 Schneider ABB 西门子 Siemens		浪涌保护器 Surge protector	施耐德 Schneider 天津中力 C-Power
	PLC	施耐德 Schneider ABB 西门子 Siemens		时间继电器 Time relay	施耐德 Schneider 欧姆龙 Omron
	仪器仪表 Instrumentation	欧姆龙 Omron		漏电保护器 Leakage protector	施耐德 Schneider

说明: 选配的组件详细技术参数等内容, 见其详细页。
Note: For detailed technical parameters of the optional components, please see their detailed pages.



→ BST9140B系列 Series

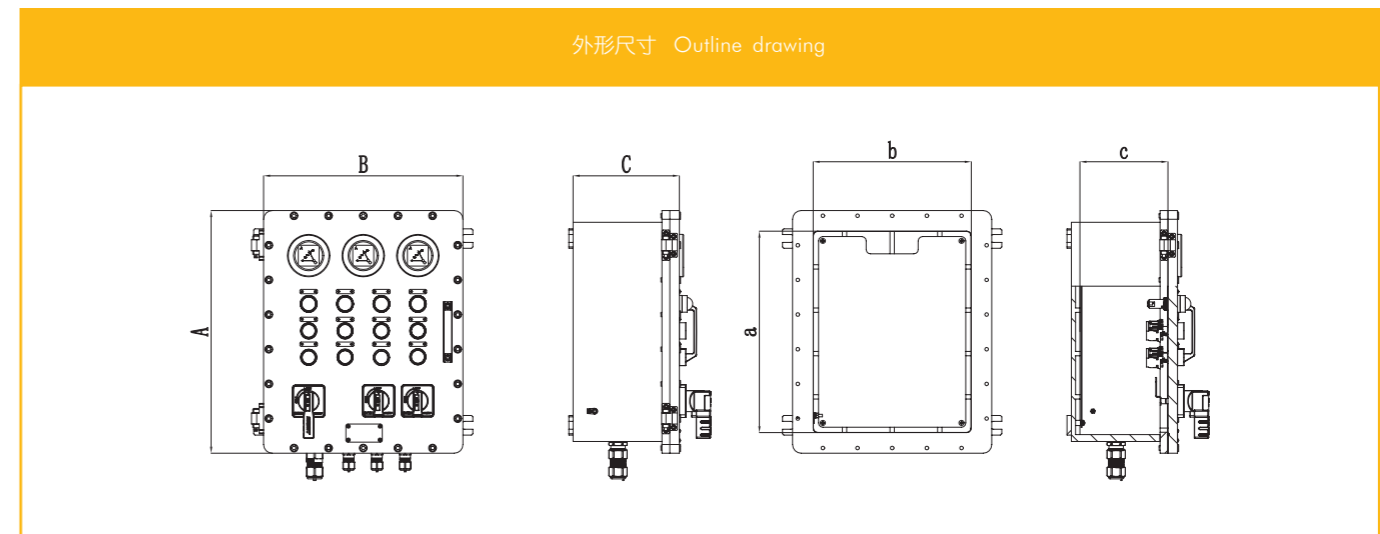


耗散功率数据 Dissipation Power Meter

序号 No.	型号 Model	最大耗散功率(W) Maximum Dissipation Power	箱体外形尺寸 Box Dimensions (mm)		
			长 long A	宽 wide B	高 high C
1	BST9140012B	55	300	200	190
2	BST9140022B	85	360	300	190
3	BST9140032B	200	460	360	245
4	BST9140042B	230	560	460	245
5	BST9140052B	300	560	460	340
6	BST9140062B	440	720	560	245
7	BST9140072B	500	720	560	340
8	BST9140082B	550	860	660	245
9	BST9140092B	650	860	660	415

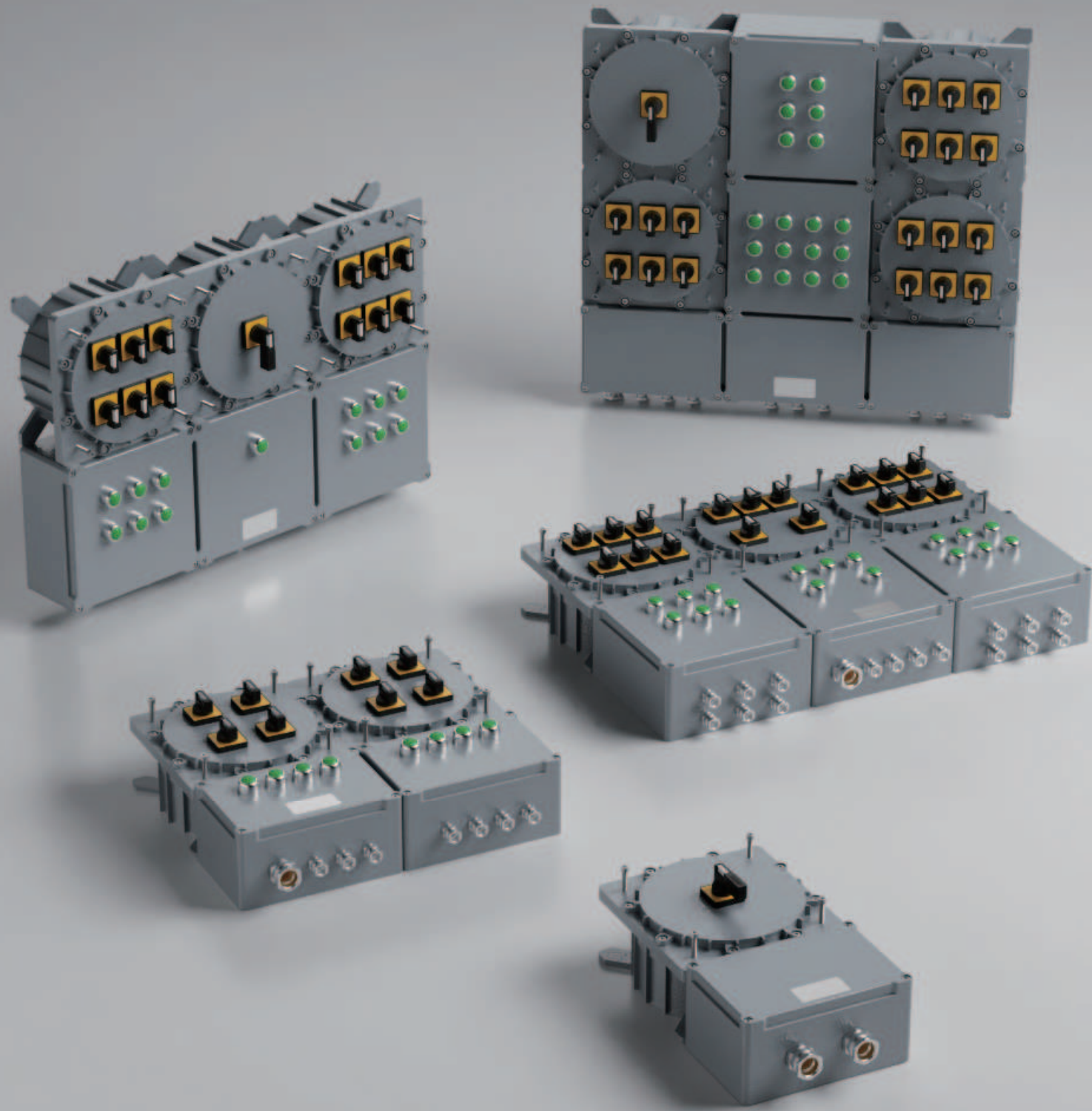
开孔数据 Drilling Hole Table for Cable Glands on Flameproof Enclosures

序号 No.	箱体外形尺寸 Box Dimensions (mm)			型号 Model	电缆固定头安装面 Cable gland mount surface F D E G	电缆固定头型号 Cable Gland Model											
	长 long A	宽 wide B	高 high C			M16	M20	M25	M32	M40	M50	M63	M75	M80	M90	M100	
1	300	200	190	BST9140012B	D/E F/G	11	6	6	4	2	2	1	1	1	1	1	
2	360	300	190	BST9140022B		15	10	8	6	3	2	2	1	1	1	1	1
3	460	360	245	BST9140032B		18	12	8	8	3	2	2	2	2	1	1	1
4	560	460	245	BST9140042B		18	15	12	8	6	3	2	2	2	2	1	1
5	560	460	340	BST9140052B		24	21	17	10	8	3	3	2	2	2	2	2
6	720	560	245	BST9140062B		21	21	10	8	8	3	3	2	2	2	2	2
7	720	560	340	BST9140072B		27	24	14	12	10	4	3	3	3	3	2	2
8	860	660	245	BST9140082B		35	34	20	12	11	6	5	4	2	2	2	2
9	860	660	415	BST9140092B		45	40	28	18	14	8	6	5	3	3	2	2
					27	24	16	10	9	4	3	3	2	2	2	2	
					36	33	18	14	12	5	4	3	3	3	3	3	
					45	32	21	15	10	8	6	3	3	2	2	2	
					60	44	35	21	12	10	8	4	4	3	3	3	
					33	30	16	13	11	4	4	3	3	3	3	3	
					42	39	26	18	14	6	5	4	4	3	3	3	
					55	40	31	20	10	8	7	3	3	3	3	3	
					70	52	43	27	14	12	10	4	4	4	3	3	



防爆电控盘装置

Explosion-proof Electric Control Panel Device(Exd Series)



防爆电控盘装置选型指南

Selection Guide for Flameproof Explosion-proof Boxes

→ BST60系列 Series

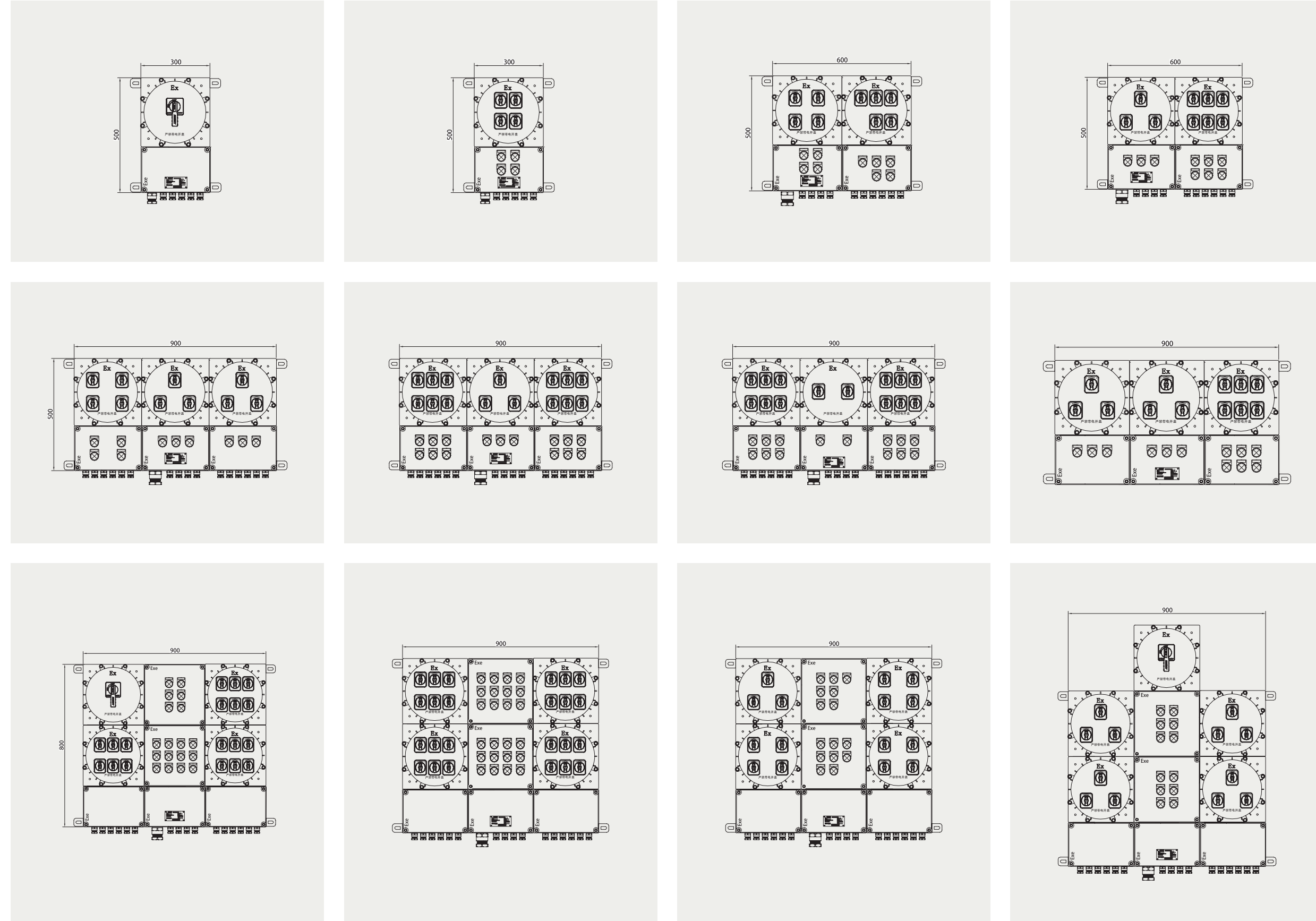
产品名称 Product Name	产品系列 Product Series	壳体材质 Shell Material	密封材质 Sealing Material	认证类别 Certification Category	防爆标志 Ex-Mark	防护等级 Degree of Protection	环境温度 Temperature Range	详细页码 Page Number	图片 Pictures
防爆电控盘装置 Flameproof empty enclosure (box)	BST60 系列 Series	铸铝 Cast Aluminium (ADC12)	硅胶 Silicone Rubber	CCC 防爆合格证	Ex db eb II C T4/T5/T6 Gb Ex tb III C T80 C Db	IP66	-40 C ~ +55 C	P1-P10	

型号含义 Meaning of the model number

BST	60	□	□	□	□
倍仕得 BEISIT	名称 Name 60: 防爆电控盘装置 Electrical control panel device	总开关电流(A) Stats 135A/100A/80A/63A/50A/40A/ 32A/25A/16A/10A	支路最大电流(A) 50A/40A/32A/25A/16A/10A/6A/5A	支路数 24/23/22/21/20/19/18/17/16/15/ 14/13/12/11/10/9/8/7/6/5/4/3/2	功能类别 Function Category C: Ex db eb II C

- 1、BST601355024C为产品型号，产品的详细BOM清单需要根据订货编号才可查询。
- 2、防爆电控盘装置（BST60系列）产品的订货号需与客户确定解决方案后，依我司系统自动生成唯一的订货编号。

→ BST9010/30/40系列 Series



→ BST60系列 Series



适用范围 Scope of application :

爆炸性气体环境1区、2区; 爆炸性粉尘环境21区、22区
Zone 1 and Zone 2 in explosive gas atmospheres;
Zone 21 and Zone 22 in explosive dust atmospheres.

防护等级 Protection Level :

IP66

抗冲击性能 Impact Resistance :

7J

使用环境温度 Operating ambient temperature :

-40°C ≤ Ta ≤ +55°C

额定电压 Rated voltage :

最大 Max. AC690V

额定电流 Rated current :

最大 Max. 135A

材料 Material :

铝合金 Aluminum Alloy ADC12



认证数据 Authentication Certificate

认证类别 Certification Category	防爆标志 Ex-Mark	认证类别 Certification Category	防爆标志 Ex-Mark
CCC证书 CCC Certificate	Ex db eb IIC T4/T5/T6 Gb Ex ib IIIC T80°C Db	防爆合格证 Certificate	Ex db eb IIC T4/T5/T6 Gb Ex ib IIIC T80°C Db

组件数据-标配 Configuration components-Standard

图样 Pattern	名称 Item	材料 Material	图样 Pattern	名称 Item	材料 Material
	安装底板 Mounting Base Plate	镀锌钢板 Galvanized steel sheet		接地标识 Grounding Indication	304不锈钢 Stainless Steel
	盖板紧固件 Fasteners for the Cover Plate	304不锈钢 Stainless Steel		铭牌 Nameplate	304不锈钢 Stainless Steel

元件数据-选配 Component-Optional

图样 Pattern	名称 Item	备注 Remark	图样 Pattern	名称 Item	备注 Remark
	断路器 Breaker	施耐德 Schneider ABB 西门子 Siemens		仪器仪表 Instrumentation	欧姆龙 Omron
	塑壳断路器 Molded case circuit breaker	施耐德 Schneider ABB 西门子 Siemens		浪涌保护器 Surge protector	施耐德 Schneider 天津中力 C-Power
	PLC	施耐德 Schneider ABB 西门子 Siemens		时间继电器 Time relay	施耐德 Schneider 欧姆龙 Omron

说明: 选配的组件详细技术参数等内容, 见其详细页。
Note: For detailed technical parameters of the optional components, please see their detailed pages.

增安型防爆电缆固定头

Explosion-Proof Exe Cable Gland



增安型防爆电缆固定头选型指南 Increased Safty Exe Cable Gland Selection-guide



产品名称 Item	产品系列 Series	材质 Material	结构类型 Cable Gland Type	认证类别 Certifications	防爆标志 Ex-Mark	防护等级 IP-Grade	工作温度 Working temperature range	螺纹规格 Thread Type	图片 Pictures
防爆电缆固定头 Ex-proof Exe Cable gland	MCG	黄铜镀镍 Nickel-plated Brass	单密封 Single Seal	IECEX ATEX	Ex eb II C Gb Ex tb III C Db ⓂII 2G Ex eb II C Gb ⓂII 2D Ex tb III C Db	IP66 IP68 1.5m 30min	-30 C ~ +80 C	M12-M63 NPT 3/8"-NPT 1 1/2" PG7~PG48	
	NCG	尼龙 Nylon	单密封 Single Seal	IECEX ATEX	Ex eb II C Gb Ex tb III C Db ⓂII 2G Ex eb II C Gb ⓂII 2D Ex tb III C Db	IP66 IP68 1.5m 30min	-20 C ~ +80 C	M12-M63 NPT 3/8"-NPT 1 1/2" PG7~PG48	
	MCG-T	黄铜Hpb59-1 不锈钢304 316 316L 碳钢Q235 Brass Hpb59-1 Stainless Steel304 316 316L Carbon Steel Q235	单密封 Single Seal	CCC 认证 防爆合格证 Qualification	Ex eb II C Gb Ex tb III C Db	IP66 IP68 1.5m 30min	-40 C ~ +120 C	M16-M63 NPT 1/4"-NPT 2" PG7~PG48 G 1/4"-G 2"	
防爆铠装防冷流 电缆固定头 Ex-proof Exe Cable gland	ACG	黄铜Hpb59-1 不锈钢304 316 316L 碳钢Q235 Brass Hpb59-1 Stainless Steel304 316 316L Carbon Steel Q235	铠装单密封 Single Seal with Armored	CCC 认证 防爆合格证 Qualification	Ex eb II C Gb Ex tb III C Db	IP66 IP68 1.5m 30min	-40 C ~ +120 C	M16-M63 NPT 1/4"-NPT 2" PG7~PG48 G 1/4"-G 2"	

型号含义 Model Meaning			
□CG-	□	□	□
材质 Nylon cable glands N: 尼龙材质 Exe M/A: 金属材料 Exe	螺纹规格 Thread specification M12: M12×1.5 P07: PG 7 N12: NPT 1/2" G14: G1/4"	最大电缆外径 Maximum cable outer diameter 07: 直径3mm-7mm 08: 直径4mm-8mm 10: 直径5mm-10mm 12: 直径6mm-12mm	L: 加长 Extended B: 蓝色 Blue BL: 蓝色加长 Blue Extended R: 增强 无字母 No letter: 表示常规 Standard
举例 For Example: NCG-M1608L			

Technical Guidance
Ex e Explosion-proof Enclosure
Ex d Explosion-proof Enclosure
Combined Explosion-proof Enclosure
Ex e Cable Gland
Ex d Cable Gland
Explosion-proof Accessories
Ex Certified Components
Three-proof Case



防爆电缆固定头 (常规型)
Explosion-Proof Exd Cable Gland

→ NCG系列 Series



适用范围 Application Scope: 适用于气体1、2区; 粉尘21、22区
Suitable for gas zones 1 and 2; dust zones 20, 21, and 22

防护等级 Protection Rating: IP66/68(1.5m/30min)

工作温度 Operating Temperature Range: -20°C~+80°C

环境温度 Environmental Temperature Range: -20°C~+80°C

材质 Material: 尼龙 Nylon

防水圈 Seal: 硅橡胶 Silicone Rubber

O型圈 Gasket: 硅橡胶 Silicone Rubber



认证数据 Authentication Certificate

认证类别 Certificate Type	防护类别代码 Ex-Mark	认证类别 Certificate Type	防护类别代码 Ex-Mark
IECEx证书 IECEx Certificate	Ex eb II C Gb Ex tb III C Db	CCC证书 CCC Certificate	Ex eb II C Gb Ex tb III C Db
ATEX证书 ATEX Certificate	⊕ II 2G Ex eb II C Gb ⊕ II 2D Ex tb III C Db	防爆合格证 Certificate	Ex eb II C Gb Ex tb III C Db

技术数据 Technical data

螺纹规格 Thread Size	M12-M63、NPT 3/8"-NPT 1 1/2"、PG7-PG48
材质 Material	尼龙 Nickel-plated brass
阻燃等级 Material	V2(UL94)
颜色 Material	黑色、蓝色 Nickel-plated brass
结构 Material	常规型、加长型 Nickel-plated brass

产品FAB The FAB of the product

特点 Peculiarity	支持不同电缆直径和类型,兼容性强 It supports different cable diameters and types, showing strong compatibility. 工作环境温度 Working environment temperature: -20°C~+80°C, 测试温度 Testing temperature: -25°C~+100°C 防护等级 Protection level: IP66/68
优点 Strength	证书齐全: IECEx、ATEX、CCC、防爆合格证。 It has a full range of domestic and foreign certificates, such as IECEx, ATEX, CCC and Explosion-proof Certificate.
价值 Value	多种颜色可选(黑色、蓝色、灰色、白色), 颜色区分线缆用途, 降低接线错误率 Multiple colors are available (black, blue, gray, white). Different colors can distinguish the uses of cables, reducing the wiring error rate. 轻量化设计, 降低成本 It features a lightweight design, which helps to cut down on costs.

Technical Guidance

Ex e Explosion-proof Enclosure

Ex d Explosion-proof Enclosure

Combined Explosion-proof Enclosure

Ex e Cable Gland

Ex d Cable Gland

Explosion-proof Accessories

Ex Certified Components

Three-proof Case

防爆电缆固定头 (常规型) Explosion-Proof Exd Cable Gland



→ NCG系列 Series



订货数据 Ordering data

规格 Specs ØD1	mm	H mm	GL mm	mm	订货号 Order no RAL7035	订货号 Order no RAL9005
NCG-M12 x 1.5	3-6.5	21	8	15	Ex-M1207	Ex-M1207B
NCG-M16 x 1.5	6-8	22	8	19	Ex-M1608	Ex-M1608B
NCG-M16 x 1.5	5-10	25	8	22	Ex-M1610	Ex-M1610B
NCG-M20 x 1.5	6-12	27	9	24	Ex-M2012	Ex-M2012B
NCG-M20 x 1.5	10-14	28	9	27	Ex-M2014	Ex-M2014B
NCG-M25 x 1.5	13-18	31	11	33	Ex-M2518	Ex-M2518B
NCG-M32 x 1.5	18-25	37	11	42	Ex-M3225	Ex-M3225B
NCG-M40 x 1.5	22-32	48	13	53	Ex-M4032	Ex-M4032B
NCG-M50 x 1.5	32-38	49	13	60	Ex-M5038	Ex-M5038B
NCG-M63 x 1.5	37-44	49	14	65/68	Ex-M6344	Ex-M6344B
<hr/>						
NCG-PG 7	3-6.5	21	8	15	Ex-P0707	Ex-P0707B
NCG-PG 9	6-8	22	8	19	Ex-P0908	Ex-P0908B
NCG-PG 11	5-10	25	8	22	Ex-P1110	Ex-P1110B
NCG-PG 13.5	6-12	27	9	24	Ex-P13512	Ex-P13512B
NCG-PG 16	10-14	28	10	27	Ex-P1614	Ex-P1614B
NCG-PG 21	13-18	31	11	33	Ex-P2118	Ex-P2118B
NCG-PG 29	18-25	37	11	42	Ex-P2925	Ex-P2925B
NCG-PG 36	22-32	48	13	53	Ex-P3632	Ex-P3632B
NCG-PG 42	32-38	49	13	60	Ex-P4238	Ex-P4238B
NCG-PG 48	37-44	49	14	65	Ex-P4844	Ex-P4844B
<hr/>						
NCG-NPT 3/8"	6-8	22	15	22	Ex-N3808	Ex-N3808B
NCG-NPT 1/2"	6-12	27	13	24	Ex-N12612	Ex-N12612B
NCG-NPT 1/2"	10-14	28	13	27	Ex-N1214	Ex-N1214B
NCG-NPT 3/4"	13-18	31	14	33	Ex-N3418	Ex-N3418B
NCG-NPT 1"	18-25	37	19	42	Ex-N10025	Ex-N10025B
NCG-NPT 1 1/4"	18-25	39	16	42/46	Ex-N11425	Ex-N11425B
NCG-NPT 1 1/2"	22-32	48	20	53	Ex-N11232	Ex-N11232B

防爆电缆固定头 (加长型) Explosion-Proof Exd Cable Gland



→ NCG系列 Series



订货数据 Ordering data

规格 Specs ØD1	mm	H mm	GL mm	mm	订货号 Order no RAL7035	订货号 Order no RAL9005
NCG-M12 x 1.5	3-6.5	21	15	15	Ex-M1207L	Ex-M1207BL
NCG-M16 x 1.5	6-8	22	15	19	Ex-M1608L	Ex-M1608BL
NCG-M16 x 1.5	5-10	25	15	22	Ex-M1610L	Ex-M1610BL
NCG-M20 x 1.5	6-12	27	15	24	Ex-M2012L	Ex-M2012BL
NCG-M20 x 1.5	10-14	28	15	27	Ex-M2014L	Ex-M2014BL
NCG-M25 x 1.5	13-18	31	15	33	Ex-M2518L	Ex-M2518BL
NCG-M32 x 1.5	18-25	37	15	42	Ex-M3225L	Ex-M3225BL
NCG-M40 x 1.5	22-32	48	18	53	Ex-M4032L	Ex-M4032BL
NCG-M50 x 1.5	32-38	49	18	60	Ex-M5038L	Ex-M5038BL
NCG-M63 x 1.5	37-44	49	18	65/68	Ex-M6344L	Ex-M6344BL
<hr/>						
NCG-PG 7	3-6.5	21	15	15	Ex-P0707L	Ex-P0707BL
NCG-PG 9	6-8	22	15	19	Ex-P0908L	Ex-P0908BL
NCG-PG 11	5-10	25	15	22	Ex-P1110L	Ex-P1110BL
NCG-PG 13.5	6-12	27	15	24	Ex-P13512L	Ex-P13512BL
NCG-PG 16	10-14	28	15	27	Ex-P1614L	Ex-P1614BL
NCG-PG 21	13-18	31	15	33	Ex-P2118L	Ex-P2118BL
NCG-PG 29	18-25	37	18	42	Ex-P2925L	Ex-P2925BL
NCG-PG 36	22-32	48	18	53	Ex-P3632L	Ex-P3632BL
NCG-PG 42	32-38	49	18	60	Ex-P4238L	Ex-P4238BL
NCG-PG 48	37-44	49	18	65	Ex-P4844L	Ex-P4844BL



防爆电缆固定头 (常规型)
Explosion-Proof Exd Cable Gland



→ MCG系列 Series

适用范围 Application Scope:

适用于气体1、2区；粉尘21、22区
Suitable for gas zones 1 and 2; dust zones 20, 21, and 22

防护等级 Protection Rating:

IP66/68(1.5m/30min)

工作温度 Operating Temperature Range:

-30°C~+80°C

环境温度 Environmental Temperature Range:

-30°C~+80°C

材质 Material:

黄铜镀镍 Nickel-Plated Brass

防水圈 Seal:

硅橡胶 Silicone Rubber

O型圈 Gasket:

硅橡胶 Silicone Rubber



认证数据 Authentication Certificate			
认证类别 Certificate Type	防护类别代码 Ex-Mark	认证类别 Certificate Type	防护类别代码 Ex-Mark
IECE证书 IECEx Certificate	Ex eb II C Gb Ex tb III C Db	CCC证书 CCC Certificate	Ex eb II C Gb Ex tb III C Db
ATEX证书 ATEX Certificate	Ⓜ II 2G Ex eb II C Gb Ⓜ II 2D Ex tb III C Db	防爆合格证 Certificate	Ex eb II C Gb Ex tb III C Db

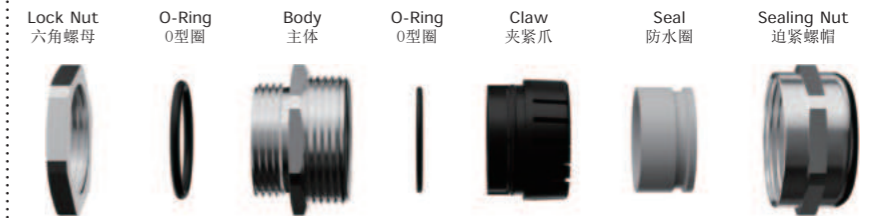
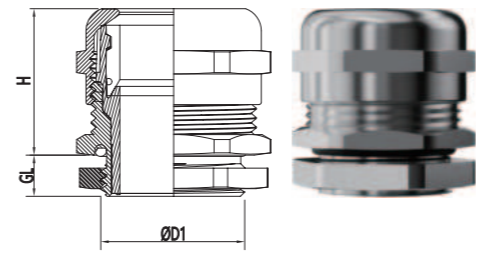
技术数据 Technical data	
螺纹规格 Thread Size	M12-M63、NPT 3/8"-NPT 1 1/2"、PG7-PG48
材质 Material	黄铜镀镍 Nickel-plated brass
阻燃等级 Material	V2(UL94)
结构 Material	常规型、加长型、加强型、加长加强型 (304、316、316L) Nickel-plated brass, stainless steel (304, 316, 316L)

产品FAB The FAB of the product	
特点 Peculiarity	支持不同电缆直径和类型,兼容性强 It supports different cable diameters and types, showing strong compatibility. 工作环境温度 Working environment temperature: -30°C~+80°C, 测试温度 Testing temperature: -35°C~+100°C 防护等级 Protection level: IP66/68
优点 Strength	证书齐全: IECEx、ATEX、CCC、防爆合格证。 It has a full range of domestic and foreign certificates, such as IECEx, ATEX, CCC and Explosion-proof Certificate.
价值 Value	表面电镀处理, 可达240h盐雾测试 The surface is treated by electroplating, and it can pass the 240-hour salt spray test.

防爆电缆固定头 (常规型)
Explosion-Proof Exd Cable Gland



→ MCG系列 Series



订货数据 Ordering data

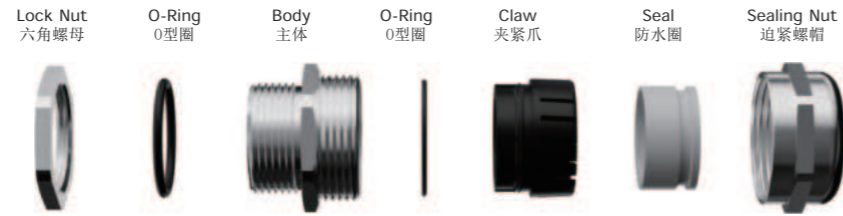
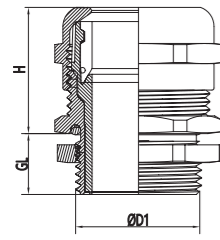
规格 Specs ØD1	mm	H mm	GL mm	mm	订货号 Order no
MCG-M12 x 1.5	3-6.5	19	6.5	14	Ex-M1207BR
MCG-M16 x 1.5	4-8	21	6	17/19	Ex-M1608BR
MCG-M16 x 1.5	5-10	22	6	20	Ex-M1610BR
MCG-M20 x 1.5	6-12	23	6	22	Ex-M2012BR
MCG-M20 x 1.5	10-14	24	6	24	Ex-M2014BR
MCG-M25 x 1.5	13-18	25	7	30	Ex-M2518BR
MCG-M32 x 1.5	18-25	31	8	40	Ex-M3225BR
MCG-M40 x 1.5	22-32	37	8	50	Ex-M4032BR
MCG-M50 x 1.5	32-38	37	9	57	Ex-M5038BR
MCG-M63 x 1.5	37-44	38	10	64/68	Ex-M6344BR
MCG-PG 7	3-6.5	19	5	14	Ex-P0707BR
MCG-PG 9	4-8	21	6	17	Ex-P0908BR
MCG-PG 11	5-10	22	6	20	Ex-P1110BR
MCG-PG 13.5	6-12	23	6.5	22	Ex-P13512BR
MCG-PG 16	10-14	24	6.5	24	Ex-P1614BR
MCG-PG 21	13-18	25	7	30	Ex-P2118BR
MCG-PG 29	18-25	31	8	40	Ex-P2925BR
MCG-PG 36	22-32	37	8	50	Ex-P3632BR
MCG-PG 42	32-38	37	9	57	Ex-P4238BR
MCG-PG 48	37-44	38	10	64	Ex-P4844BR
MCG-NPT 3/8"	4-8	21	15	17/19	Ex-N3808BR
MCG-NPT 1/2"	6-12	23	13	22	Ex-N12612BR
MCG-NPT 1/2"	10-14	24	13	24	Ex-N1214BR
MCG-NPT 3/4"	13-18	25	13	30	Ex-N3418BR
MCG-NPT 1"	18-25	31	15	40	Ex-N10025BR
MCG-NPT 1 1/4"	18-25	31	17	44	Ex-N11425BR
MCG-NPT 1 1/2"	22-32	37	20	50	Ex-N11232BR



防爆电缆固定头 (加长型)
Explosion-Proof Exd Cable Gland



→ MCG系列 Series



订货数据 Ordering data

规格 Specs ØD1	mm	H mm	GL mm	mm	订货号 Order no
MCG-M12 x 1.5	3-6.5	19	10	14	Ex-M1207BRL
MCG-M16 x 1.5	4-8	21	10	17/19	Ex-M1608BRL
MCG-M16 x 1.5	5-10	22	10	20	Ex-M1610BRL
MCG-M20 x 1.5	6-12	23	10	22	Ex-M2012BRL
MCG-M20 x 1.5	10-14	24	10	24	Ex-M2014BRL
MCG-M25 x 1.5	13-18	25	12	30	Ex-M2518BRL
MCG-M32 x 1.5	18-25	31	12	40	Ex-M3225BRL
MCG-M40 x 1.5	22-32	37	15	50	Ex-M4032BRL
MCG-M50 x 1.5	32-38	37	15	57	Ex-M5038BRL
MCG-M63 x 1.5	37-44	38	15	64/68	Ex-M6344BRL
MCG-PG 7	3-6.5	19	10	14	Ex-P0707BRL
MCG-PG 9	4-8	21	10	17	Ex-P0908BRL
MCG-PG 11	5-10	22	10	20	Ex-P1110BRL
MCG-PG 13.5	6-12	23	10	22	Ex-P13512BRL
MCG-PG 16	10-14	24	10	24	Ex-P1614BRL
MCG-PG 21	13-18	25	12	30	Ex-P2118BRL
MCG-PG 29	18-25	31	12	40	Ex-P2925BRL
MCG-PG 36	22-32	37	15	50	Ex-P3632BRL
MCG-PG 42	32-38	37	15	57	Ex-P4238BRL
MCG-PG 48	37-44	38	15	64	Ex-P4844BRL

防爆电缆固定头 (加强型)
Explosion-Proof Exd Cable Gland



→ MCG系列 Series



适用范围 Application Scope:

适用于气体1、2区; 粉尘21、22区
Suitable for gas zones 1 and 2; dust zones 20, 21, and 22

防护等级 Protection Rating:

IP66/68(1.5m/30min)

工作温度 Operating Temperature Range:

-30°C~+80°C

环境温度 Environmental Temperature Range:

-30°C~+80°C

材质 Material:

黄铜镀镍 Nickel-Plated Brass

防水圈 Seal:

硅橡胶 Silicone Rubber

O型圈 Gasket:

硅橡胶 Silicone Rubber



认证数据 Authentication Certificate

认证类别 Certificate Type	防护类别代码 Ex-Mark	认证类别 Certificate Type	防护类别代码 Ex-Mark
IECE证书 IECEx Certificate	Ex eb II C Gb Ex tb III C Db	CCC证书 CCC Certificate	Ex eb II C Gb Ex tb III C Db
ATEX证书 ATEX Certificate	Ⓜ II 2G Ex eb II C Gb Ⓜ II 2D Ex tb III C Db	防爆合格证 Certificate	Ex eb II C Gb Ex tb III C Db

技术数据 Technical data

螺纹规格 Thread Size	M12-M63、NPT 3/8"-NPT 1 1/2"、PG7-PG48
材质 Material	黄铜镀镍 Nickel-plated brass
阻燃等级 Material	V2(UL94)
结构 Material	常规型、加长型、加强型、加长加强型 (304、316、316L) Nickel-plated brass, stainless steel (304, 316, 316L)

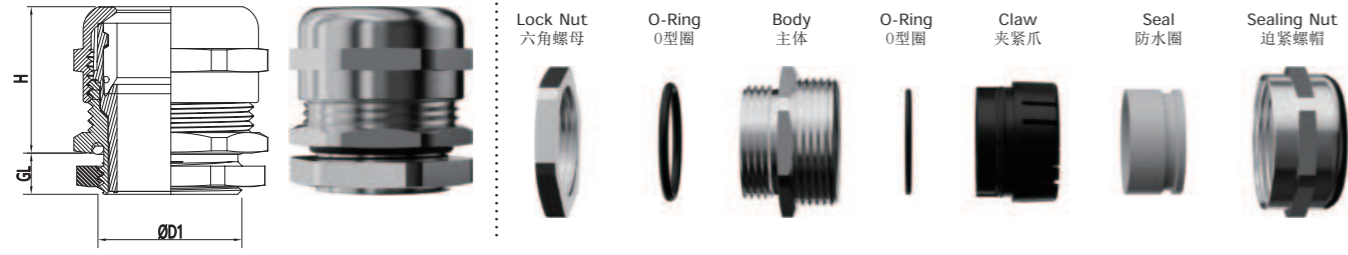
产品FAB The FAB of the product

特点 Peculiarity	支持不同电缆直径和类型,兼容性强 It supports different cable diameters and types, showing strong compatibility. 工作环境温度 Working environment temperature: -30°C~+80°C, 测试温度 Testing temperature: -35°C~+100°C 防护等级 Protection level: IP66/68
优点 Strength	证书齐全: IECEx、ATEX、CCC、防爆合格证。 It has a full range of domestic and foreign certificates, such as IECEx, ATEX, CCC and Explosion-proof Certificate.
价值 Value	表面电镀处理, 可达240h盐雾测试 The surface is treated by electroplating, and it can pass the 240-hour salt spray test.

防爆电缆固定头 (加强型)
Explosion-Proof Exd Cable Gland



→ MCG系列 Series



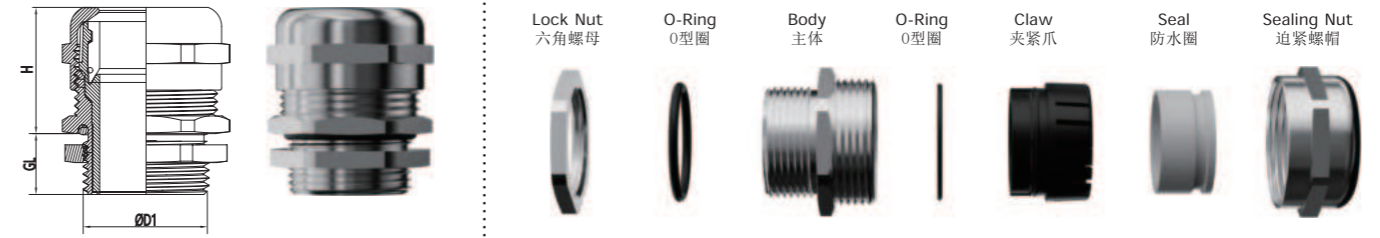
订货数据 Ordering data

规格 Specs ØD1	mm	H mm	GL mm	mm	订货号 Order no
MCG-M12 x 1.5	3-6.5	19	6.5	14	Ex-M1207BR-R
MCG-M16 x 1.5	4-8	21	6	17/19	Ex-M1608BR-R
MCG-M16 x 1.5	5-10	22	6	20	Ex-M1610BR-R
MCG-M20 x 1.5	6-12	23	6	22	Ex-M2012BR-R
MCG-M20 x 1.5	10-14	24	6	24	Ex-M2014BR-R
MCG-M25 x 1.5	13-18	25	7	30	Ex-M2518BR-R
MCG-M32 x 1.5	18-25	31	8	40	Ex-M3225BR-R
MCG-M40 x 1.5	22-32	37	8	50	Ex-M4032BR-R
MCG-M50 x 1.5	32-38	37	9	57	Ex-M5038BR-R
MCG-M63 x 1.5	37-44	38	10	64/68	Ex-M6344BR-R
MCG-PG 7	3-6.5	19	5	14	Ex-P0707BR-R
MCG-PG 9	4-8	21	6	17	Ex-P0908BR-R
MCG-PG 11	5-10	22	6	20	Ex-P1110BR-R
MCG-PG 13.5	6-12	23	6.5	22	Ex-P13512BR-R
MCG-PG 16	10-14	24	6.5	24	Ex-P1614BR-R
MCG-PG 21	13-18	25	7	30	Ex-P2118BR-R
MCG-PG 29	18-25	31	8	40	Ex-P2925BR-R
MCG-PG 36	22-32	37	8	50	Ex-P3632BR-R
MCG-PG 42	32-38	37	9	57	Ex-P4238BR-R
MCG-PG 48	37-44	38	10	64	Ex-P4844BR-R
MCG-NPT 3/8"	4-8	21	15	17/19	Ex-N3808BR-R
MCG-NPT 1/2"	6-12	23	13	22	Ex-N12612BR-R
MCG-NPT 1/2"	10-14	24	13	24	Ex-N1214BR-R
MCG-NPT 3/4"	13-18	25	13	30	Ex-N3418BR-R
MCG-NPT 1"	18-25	31	15	40	Ex-N10025BR-R
MCG-NPT 1 1/4"	18-25	31	17	44	Ex-N11425BR-R
MCG-NPT 1 1/2"	22-32	37	20	50	Ex-N11232BR-R

防爆电缆固定头 (加长加强型)
Explosion-Proof Exd Cable Gland



→ MCG系列 Series



订货数据 Ordering data

规格 Specs ØD1	mm	H mm	GL mm	mm	订货号 Order no
MCG-M12 x 1.5	3-6.5	19	10	14	Ex-M1207BRL-R
MCG-M16 x 1.5	4-8	21	10	17/19	Ex-M1608BRL-R
MCG-M16 x 1.5	5-10	22	10	20	Ex-M1610BRL-R
MCG-M20 x 1.5	6-12	23	10	22	Ex-M2012BRL-R
MCG-M20 x 1.5	10-14	24	10	24	Ex-M2014BRL-R
MCG-M25 x 1.5	13-18	25	12	30	Ex-M2518BRL-R
MCG-M32 x 1.5	18-25	31	12	40	Ex-M3225BRL-R
MCG-M40 x 1.5	22-32	37	15	50	Ex-M4032BRL-R
MCG-M50 x 1.5	32-38	37	15	57	Ex-M5038BRL-R
MCG-M63 x 1.5	37-44	38	15	64/68	Ex-M6344BRL-R
MCG-PG 7	3-6.5	19	10	14	Ex-P0707BRL-R
MCG-PG 9	4-8	21	10	17	Ex-P0908BRL-R
MCG-PG 11	5-10	22	10	20	Ex-P1110BRL-R
MCG-PG 13.5	6-12	23	10	22	Ex-P13512BRL-R
MCG-PG 16	10-14	24	10	24	Ex-P1614BRL-R
MCG-PG 21	13-18	25	12	30	Ex-P2118BRL-R
MCG-PG 29	18-25	31	12	40	Ex-P2925BRL-R
MCG-PG 36	22-32	37	15	50	Ex-P3632BRL-R
MCG-PG 42	32-38	37	15	57	Ex-P4238BRL-R
MCG-PG 48	37-44	38	15	64	Ex-P4844BRL-R



防爆电缆固定头 (特殊型)
Explosion-Proof Exd Cable Gland



→ MCG-T系列 Series



适用范围 Application Scope: 适用于气体1、2区; 粉尘21、22区
Suitable for gas zones 1 and 2; dust zones 20, 21, and 22
防护等级 Protection Rating: IP66/68(1.5m/30min)
工作温度 Operating Temperature Range: -40°C~120°C
环境温度 Environmental Temperature Range: -40°C~55°C
材质 Material: 黄铜镀镍/不锈钢304、316、316L、/碳钢Q235
防水圈 Seal: 硅橡胶 Silicone Rubber
垫片 Gasket: 硅橡胶/PTFE Silicone Rubber
O型圈 Gasket: 硅橡胶 Silicone Rubber

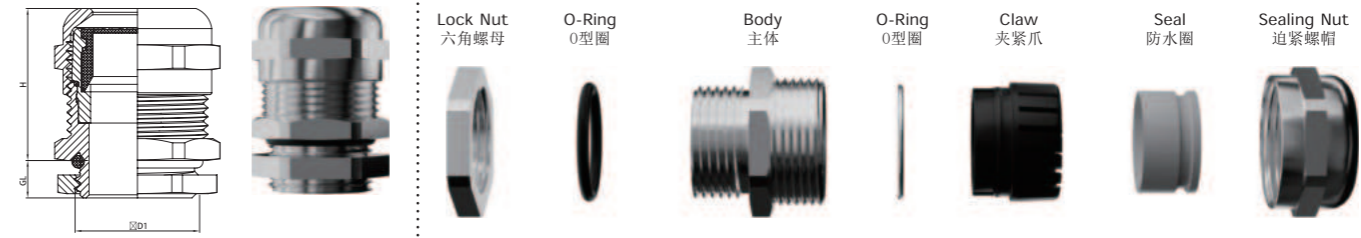


认证数据 Authentication Certificate			
认证类别 Certificate Type	防护类别代码 Ex-Mark	认证类别 Certificate Type	防护类别代码 Ex-Mark
CCC证书 CCC Certificate	Ex eb IIC Gb Ex ib IIIC Db	防爆合格证 Certificate	Ex eb IIC Gb Ex ib IIIC Db
技术数据 Technical data			
螺纹规格 Thread Size	M12-M63、PG7-PG48、NPT1/4"-NPT2"、G1/4"-G2"		
材质 Material	黄铜镀镍/不锈钢304、316、316L、/碳钢Q235		
产品FAB The FAB of the product			
特点 Peculiarity	支持不同电缆直径和类型,兼容性强 It supports different cable diameters and types, showing strong compatibility. 工作环境温度 Working environment temperature: -40°C~+120°C, 测试温度 Testing temperature: -45°C~+140°C 防护等级 Protection level: IP66/68		
优点 Strength	证书齐全: CCC、防爆合格证。 It has a full range of domestic and foreign certificates, such as CCC and Explosion-proof Certificate. 材质可选黄铜镀镍/不锈钢304、316、316L、碳钢Q235 The materials can be selected from nickel-plated brass/stainless steel 304, 316, 316L, and carbon steel Q235.		
价值 Value	表面电镀处理, 可达240h盐雾测试 The surface is treated by electroplating, and it can pass the 240-hour salt spray test.		

防爆电缆固定头 (特殊型)
Explosion-Proof Exd Cable Gland



→ MCG-T系列 Series



订货数据 Ordering data

规格 Specs øD1	Model	øK mm	H mm	GL mm	mm	订货号 Order no
M16 x 1.5	MCG-M16 x 1.5-T	2-6	21	10	20	Ex-M1606BR-R
M16 x 1.5	MCG-M16 x 1.5-T	4-8	21	10	20	Ex-M1608BR-R
M20 x 1.5	MCG-M20 x 1.5-S	5-9	23	10	24	Ex-M2009BR-R
M20 x 1.5	MCG-M20 x 1.5-S	6-12	23	10	24	Ex-M2012BR-R
M20 x 1.5	MCG-M20 x 1.5-T	6-14	24	15	24	Ex-M2014BR-R
M12 x 1.5	MCG-M12 x 1.5	3-6.5	19	10	14	Ex-M1207BR-R
M16 x 1.5	MCG-M16 x 1.5	2-6	21	10	17	Ex-M1606BR-R
M16 x 1.5	MCG-M16 x 1.5	4-8	21	10	17	Ex-M1608BR-R
M16 x 1.5	MCG-M16 x 1.5	5-10	22	10	20	Ex-M1610BR-R
M20 x 1.5	MCG-M20 x 1.5	5-9	23	10	22	Ex-M2009BR-R
M20 x 1.5	MCG-M20 x 1.5	6-12	23	10	22	Ex-M2012BR-R
M20 x 1.5	MCG-M20 x 1.5	10-14	24	10	24	Ex-M2014BR-R
M25 x 1.5	MCG-M25 x 1.5	9-16	25	12	30	Ex-M2516BR-R
M25 x 1.5	MCG-M25 x 1.5	13-18	25	12	30	Ex-M2518BR-R
M32 x 1.5	MCG-M32 x 1.5	13-20	31	12	40	Ex-M3220BR-R
M32 x 1.5	MCG-M32 x 1.5	18-25	31	12	40	Ex-M3225BR-R
M40 x 1.5	MCG-M40 x 1.5	20-26	37	15	50	Ex-M4026BR-R
M40 x 1.5	MCG-M40 x 1.5	22-32	37	15	50	Ex-M4032BR-R
M50 x 1.5	MCG-M50 x 1.5	25-31	37	15	57	Ex-M5031BR-R
M50 x 1.5	MCG-M50 x 1.5	32-38	37	15	57	Ex-M5038BR-R
M63 x 1.5	MCG-M63 x 1.5	29-35	38	15	64	Ex-M6335BR-R
M63 x 1.5	MCG-M63 x 1.5	37-44	38	15	64	Ex-M6344BR-R
PG 7	MCG-PG 7	3-6.5	19	10	14	Ex-P0707BR-R
PG 9	MCG-PG 9	2-6	21	10	17	Ex-P0906BR-R
PG 9	MCG-PG 9	4-8	21	10	17	Ex-P0908BR-R
PG 11	MCG-PG 11	3-7	22	10	20	Ex-P1107BR-R
PG 11	MCG-PG 11	5-10	22	10	20	Ex-P1110BR-R
PG 13.5	MCG-PG 13.5	5-9	23	10	22	Ex-P13509BR-R
PG 13.5	MCG-PG 13.5	6-12	23	10	22	Ex-P13512BR-R
PG 16	MCG-PG 16	10-14	24	10	24	Ex-P1614BR-R
PG 21	MCG-PG 21	9-16	25	12	30	Ex-P2116BR-R
PG 21	MCG-PG 21	13-18	25	12	30	Ex-P2118BR-R
PG 29	MCG-PG 29	13-20	31	12	40	Ex-P2920BR-R
PG 29	MCG-PG 29	18-25	31	12	40	Ex-P2925BR-R
PG 36	MCG-PG 36	20-26	37	15	50	Ex-P3626BR-R
PG 36	MCG-PG 36	22-32	37	15	50	Ex-P3632BR-R
PG 42	MCG-PG 42	25-31	37	15	57	Ex-P4231BR-R
PG 42	MCG-PG 42	32-38	37	15	57	Ex-P4238BR-R
PG 48	MCG-PG 48	29-35	38	15	64	Ex-P4835BR-R
PG 48	MCG-PG 48	37-44	38	15	64	Ex-P4844BR-R

防爆电缆固定头 (特殊型)
Explosion-Proof Exd Cable Gland



→ MCG-T系列 Series



订货数据 Ordering data

规格 Specs øD1	Model	mm	H mm	GL mm	mm	订货号 Order no
NPT 1/4"	MCG-NPT 1/4"	3-6.5	19	13	14	Ex-N1407BR-R
NPT 3/8"	MCG-NPT 3/8"	2-6	21	15	17	Ex-N3806BR-R
NPT 3/8"	MCG-NPT 3/8"	4-8	21	15	17	Ex-N3808BR-R
NPT 3/8"	MCG-NPT 3/8"	3-7	21	15	20	Ex-N3807BR-R
NPT 3/8"	MCG-NPT 3/8"	5-10	21	15	20	Ex-N3810BR-R
NPT 1/2"	MCG-NPT 1/2"	5-9	22	13	22	Ex-N1209BR-R
NPT 1/2"	MCG-NPT 1/2"	6-12	22	13	22	Ex-N1212BR-R
NPT 1/2"	MCG-NPT 1/2"	10-14	23	13	24	Ex-N1214BR-R
NPT 3/4"	MCG-NPT 3/4"	9-16	24	13	30	Ex-N3416BR-R
NPT 3/4"	MCG-NPT 3/4"	13-18	24	13	30	Ex-N3418BR-R
NPT 1"	MCG-NPT 1"	13-20	25	15	40	Ex-N10020BR-R
NPT 1"	MCG-NPT 1"	18-25	25	15	40	Ex-N10025BR-R
NPT 1 1/4"	MCG-NPT 1 1/4"	18-25	31	17	40	Ex-N1425BR-R
NPT 1 1/4"	MCG-NPT 1 1/4"	13-30	31	17	40	Ex-N11430BR-R
NPT 1 1/2"	MCG-NPT 1 1/2"	20-26	37	20	50	Ex-N11226BR-R
NPT 1 1/2"	MCG-NPT 1 1/2"	22-32	37	20	50	Ex-N11232BR-R
NPT 2"	MCG-NPT 2"	29-35	37	20	64	Ex-N20035BR-R
NPT 2"	MCG-NPT 2"	37-44	37	20	64	Ex-N20044BR-R
<hr/>						
G 1/4"	MCG-G 1/4"	3-6.5	19	13	14	Ex-G1407BR-R
G 3/8"	MCG-G 3/8"	2-6	21	15	17	Ex-G3806BR-R
G 3/8"	MCG-G 3/8"	4-8	21	15	17	Ex-G3808BR-R
G 3/8"	MCG-G 3/8"	3-7	21	15	20	Ex-G3807BR-R
G 3/8"	MCG-G 3/8"	5-10	21	15	20	Ex-G3810BR-R
G 1/2"	MCG-G 1/2"	5-9	22	13	22	Ex-G1209BR-R
G 1/2"	MCG-G 1/2"	6-12	22	13	22	Ex-G1212BR-R
G 1/2"	MCG-G 1/2"	10-14	23	13	24	Ex-G1214BR-R
G 3/4"	MCG-G 3/4"	9-16	24	13	30	Ex-G3416BR-R
G 3/4"	MCG-G 3/4"	13-18	24	13	30	Ex-G3418BR-R
G 1"	MCG-G 1"	13-20	25	15	40	Ex-G10020BR-R
G 1"	MCG-G 1"	18-25	25	15	40	Ex-G10025BR-R
G 1 1/4"	MCG-G 1 1/4"	18-25	31	17	40	Ex-G11425BR-R
G 1 1/4"	MCG-G 1 1/4"	13-30	31	17	40	Ex-G11430BR-R
G 1 1/2"	MCG-G 1 1/2"	20-26	37	20	50	Ex-G11226BR-R
G 1 1/2"	MCG-G 1 1/2"	22-32	37	20	50	Ex-G11232BR-R
G 2"	MCG-G 2"	29-35	37	20	64	Ex-G20035BR-R
G 2"	MCG-G 2"	37-44	37	20	64	Ex-G20044BR-R

防爆铠装防冷流电缆固定头
Explosion-Proof Exd Cable Gland



→ ACG系列 Series



适用范围 Application Scope:

适用于气体1、2区; 粉尘21、22区
Suitable for gas zones 1 and 2; dust zones 20, 21, and 22

防护等级 Protection Rating:

IP66/68(1.5m/30min)

工作温度 Operating Temperature Range:

-40°C~120°C

环境温度 Environmental Temperature Range:

-40°C~55°C

材质 Material:

黄铜镀镍/不锈钢304、316、316L、/碳钢Q235

防水圈 Seal:

硅橡胶 Silicone Rubber

垫片 Gasket:

硅橡胶/PTFE Silicone Rubber

O型圈 Gasket:

硅橡胶 Silicone Rubber



认证数据 Authentication Certificate

认证类别 Certificate Type	防护类别代码 Ex-Mark	认证类别 Certificate Type	防护类别代码 Ex-Mark
CCC证书 CCC Certificate	Ex eb IIC Gb Ex ib IIIC Db	防爆合格证 Certificate	Ex eb IIC Gb Ex ib IIIC Db

技术数据 Technical data

螺纹规格 Thread Size	M12-M63、PG7-PG48、NPT1/4"-NPT2"、G1/4"-G2"
材质 Material	黄铜镀镍/不锈钢304、316、316L、/碳钢Q235
结构 Material	铠装结构设计

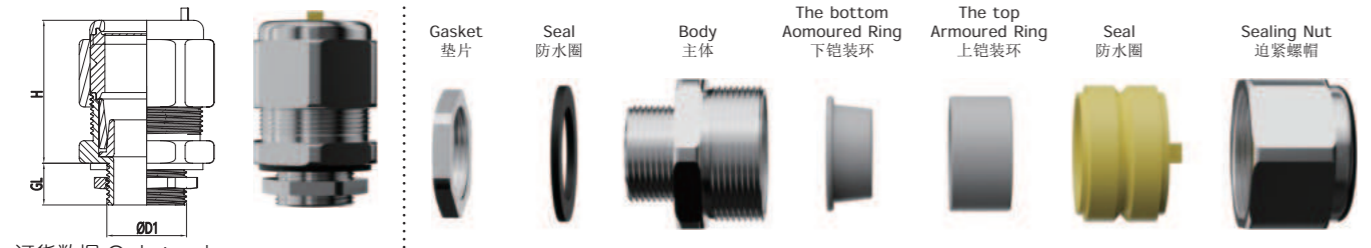
产品FAB The FAB of the product

特点 Peculiarity	支持不同电缆直径和类型,兼容性强 It supports different cable diameters and types, showing strong compatibility. 工作环境温度 Working environment temperature: -40°C~+120°C, 测试温度 Testing temperature: -45°C~+140°C 防护等级 Protection level: IP66/68
优点 Strength	证书齐全: CCC、防爆合格证。 It has a full range of domestic and foreign certificates, such as CCC and Explosion-proof Certificate. 铠装结构设计 Armored structure design
价值 Value	产品适用于冷流型电缆, 具有防冷流功能 The product is suitable for cold flow type cables and has the function of preventing cold flow.

防爆铠装防冷流电缆固定头
Explosion-Proof Exd Cable Gland



→ ACG系列 Series



订货数据 Ordering data

规格 Specs ØD1	Dia.Of Outer Sheath mm	Dia.Of Inner Sheath mm	H mm	GL mm	mm	订货号 Order no
M16 x 1.5	6-13	3-8	35	13	27	Ex-ACG-M1613BR
M20 x 1.5	6-13	3-8	35	13	27	Ex-ACG-M2013BR
M20 x 1.5	9.5-16	7.5-12	35	13	27	Ex-ACG-M2016BR
M20 x 1.5	12.5-21	8.7-14	35	13	30	Ex-ACG-M2021BR
M25 x 1.5	9.5-16	7.5-12	35	13	27	Ex-ACG-M2516BR
M25 x 1.5	12.5-21	8.7-14	35	13	30	Ex-ACG-M2521BR
M25 x 1.5	18-26	13-20	45	13	38	Ex-ACG-M2526BR
M32 x 1.5	12.5-21	8.7-14	36	15	30	Ex-ACG-M3221BR
M32 x 1.5	18-26	13-20	45	15	38	Ex-ACG-M3226BR
M32 x 1.5	23-34	19-26.5	48	15	46	Ex-ACG-M3234BR
M40 x 1.5	18-26	13-20	45	15	38	Ex-ACG-M4026BR
M40 x 1.5	23-34	19-26.5	48	15	46	Ex-ACG-M4034BR
M40 x 1.5	28-41	25-32.5	54	15	55	Ex-ACG-M4041BR
M50 x 1.5	23-34	19-26.5	48	15	46	Ex-ACG-M5034BR
M50 x 1.5	28-41	25-32.5	54	15	55	Ex-ACG-M5041BR
M50 x 1.5	35.2-47	31-38	53	15	65	Ex-ACG-M5047BR
M50 x 1.5	43-53	36-44	53	15	65	Ex-ACG-M5053BR
M63 x 1.5	28-41	25-32.5	54	15	55	Ex-ACG-M6341BR
M63 x 1.5	35.2-47	31-38	53	15	65	Ex-ACG-M6347BR
M63 x 1.5	43-53	36-44	53	15	65	Ex-ACG-M6353BR
M63 x 1.5	45.6-59.4	41.5-50	58	15	80	Ex-ACG-M6359BR
M63 x 1.5	54.6-66	48-55	58	15	80	Ex-ACG-M6366BR
PG 9	6-13	3-8	35	13	27	Ex-ACG-P0913BR
PG 11	6-13	3-8	35	13	27	Ex-ACG-P1113BR
PG 13.5	6-13	3-8	35	13	27	Ex-ACG-P13513BR
PG 13.5	9.5-16	7.5-12	35	13	27	Ex-ACG-P13516BR
PG 13.5	12.5-21	8.7-14	35	13	30	Ex-ACG-P13521BR
PG 16	6-13	3-8	35	13	27	Ex-ACG-P1613BR
PG 16	9.5-16	7.5-12	35	13	27	Ex-ACG-P1616BR
PG 16	12.5-21	8.7-14	35	13	30	Ex-ACG-P1621BR
PG 21	9.5-16	7.5-12	35	13	27	Ex-ACG-P2116BR
PG 21	12.5-21	8.7-14	35	13	30	Ex-ACG-P2121BR
PG 21	18-26	13-20	45	13	38	Ex-ACG-P2126BR
PG 29	12.5-21	8.7-14	36	15	30	Ex-ACG-P2921BR
PG 29	18-26	13-20	45	15	38	Ex-ACG-P2926BR
PG 29	23-34	19-26.5	48	15	46	Ex-ACG-P2934BR
PG 36	18-26	13-20	45	15	38	Ex-ACG-P3626BR
PG 36	23-34	19-26.5	48	15	46	Ex-ACG-P3634BR
PG 36	28-41	25-32.5	54	15	55	Ex-ACG-P3641BR
PG 42	23-34	19-26.5	48	15	46	Ex-ACG-P4234BR
PG 42	28-41	25-32.5	54	15	55	Ex-ACG-P4241BR
PG 42	35.2-47	31-38	53	15	65	Ex-ACG-P4247BR
PG 42	43-53	36-44	53	15	65	Ex-ACG-P4253BR
PG 48	28-41	25-32.5	54	15	55	Ex-ACG-P4841BR
PG 48	35.2-47	31-38	53	15	65	Ex-ACG-P4847BR
PG 48	43-53	36-44	53	15	65	Ex-ACG-P4853BR
PG 48	45.6-59.4	41.5-50	58	15	80	Ex-ACG-P4859BR
PG 48	54.6-66	48-55	58	15	80	Ex-ACG-P4866BR

防爆铠装防冷流电缆固定头
Explosion-Proof Exd Cable Gland



→ ACG系列 Series



订货数据 Ordering data

规格 Specs ØD1	Dia.Of Outer Sheath mm	Dia.Of Inner Sheath mm	H mm	GL mm	mm	订货号 Order no
NPT 3/8"	6-13	3-8	35	13	27	Ex-ACG-N3813BR
NPT 1/2"	6-13	3-8	35	13	27	Ex-ACG-N1213BR
NPT 1/2"	9.5-16	7.5-12	35	13	27	Ex-ACG-N1216BR
NPT 1/2"	12.5-21	8.7-14	35	13	30	Ex-ACG-N1221BR
NPT 3/4"	9.5-16	7.5-12	35	13	27	Ex-ACG-N3416BR
NPT 3/4"	12.5-21	8.7-14	35	13	30	Ex-ACG-N3421BR
NPT 3/4"	18-26	13-20	45	13	38	Ex-ACG-N3426BR
NPT 1"	12.5-21	8.7-14	36	15	30	Ex-ACG-N10021BR
NPT 1"	18-26	13-20	45	15	38	Ex-ACG-N10026BR
NPT 1"	23-34	19-26.5	48	15	46	Ex-ACG-N10034BR
NPT 1 1/4"	18-26	13-20	45	15	38	Ex-ACG-N11426BR
NPT 1 1/4"	23-34	19-26.5	48	15	46	Ex-ACG-N11434BR
NPT 1 1/4"	28-41	25-32.5	54	15	55	Ex-ACG-N11441BR
NPT 1 1/2"	23-34	19-26.5	48	15	46	Ex-ACG-N11234BR
NPT 1 1/2"	28-41	25-32.5	54	15	55	Ex-ACG-N11241BR
NPT 1 1/2"	35.2-47	31-38	53	15	65	Ex-ACG-N11247BR
NPT 1 1/2"	43-53	36-44	53	15	65	Ex-ACG-N11253BR
NPT 2"	28-41	25-32.5	54	15	55	Ex-ACG-N20041BR
NPT 2"	35.2-47	31-38	53	15	65	Ex-ACG-N20047BR
NPT 2"	43-53	36-44	53	15	65	Ex-ACG-N20053BR
NPT 2"	45.6-59.4	41.5-50	58	15	80	Ex-ACG-N20059BR
NPT 2"	54.6-66	48-55	58	15	80	Ex-ACG-N20066BR
G 3/8"	6-13	3-8	35	13	27	Ex-ACG-G3813BR
G 1/2"	6-13	3-8	35	13	27	Ex-ACG-G1213BR
G 1/2"	9.5-16	7.5-12	35	13	27	Ex-ACG-G1216BR
G 1/2"	12.5-21	8.7-14	35	13	30	Ex-ACG-G1221BR
G 3/4"	9.5-16	7.5-12	35	13	27	Ex-ACG-G3416BR
G 3/4"	12.5-21	8.7-14	35	13	30	Ex-ACG-G3421BR
G 3/4"	18-26	13-20	45	13	38	Ex-ACG-G3426BR
G 1"	12.5-21	8.7-14	36	15	30	Ex-ACG-G10021BR
G 1"	18-26	13-20	45	15	38	Ex-ACG-G10026BR
G 1"	23-34	19-26.5	48	15	46	Ex-ACG-G10034BR
G 1 1/4"	18-26	13-20	45	15	38	Ex-ACG-G11426BR
G 1 1/4"	23-34	19-26.5	48	15	46	Ex-ACG-G11434BR
G 1 1/4"	28-41	25-32.5	54	15	55	Ex-ACG-G11441BR
G 1 1/2"	23-34	19-26.5	48	15	46	Ex-ACG-G11234BR
G 1 1/2"	28-41	25-32.5	54	15	55	Ex-ACG-G11241BR
G 1 1/2"	35.2-47	31-38	53	15	65	Ex-ACG-G11247BR
G 1 1/2"	43-53	36-44	53	15	65	Ex-ACG-G11253BR
G 2"	28-41	25-32.5	54	15	55	Ex-ACG-G20041BR
G 2"	35.2-47	31-38	53	15	65	Ex-ACG-G20047BR
G 2"	43-53	36-44	53	15	65	Ex-ACG-G20053BR
G 2"	45.6-59.4	41.5-50	58	15	80	Ex-ACG-G20059BR
G 2"	54.6-66	48-55	58	15	80	Ex-ACG-G20066BR

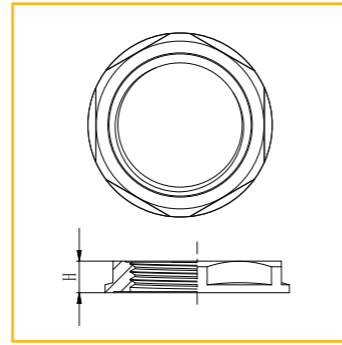
尼龙六角螺母
Nylon LockNuts



→ M/PG/NPT

RoHS

材料 Material: 采用UL认可的尼龙材料 PA (NYLON), UL 94 V-2
 工作温度 Working temperature: -40°C to 100°C
 颜色种类 Color: 灰色、黑色, 其他颜色可定做
 Grey(RAL7035), Black(RAL9005), other colors customized.
 材料种类 Material options: V0或F1可定做 V0, or F1 can be offered upon request.



订货数据 Ordering data

规格 Specs	H	mm	订货号 Order no	订货号 Order no
ØD1	mm	mm	RAL7035	RAL9005
M12 x 1.5	5	17	M12-LN	M12-LNB
M16 x 1.5	5	22	M16-LN	M16-LNB
M20 x 1.5	5.7	27	M20-LN	M20-LNB
M25 x 1.5	6	32	M25-LN	M25-LNB
M32 x 1.5	7	41	M32-LN	M32-LNB
M40 x 1.5	7	50	M40-LN	M40-LNB
M50 x 1.5	8.5	60	M50-LN	M50-LNB
M63 x 1.5	8	75	M63-LN	M63-LNB
<hr/>				
PG 7	5	19	P07-LN	P07-LNB
PG 9	5	22	P09-LN	P09-LNB
PG 11	5	24	P11-LN	P11-LNB
PG 13.5	5.7	27	P13-LN	P13-LNB
PG 16	5.7	30	P16-LN	P16-LNB
PG 19	6	30	P19-LN	P19-LNB
PG 21	6	36	P21-LN	P21-LNB
PG 29	7	46	P29-LN	P29-LNB
PG 36	7.6	60	P36-LN	P36-LNB
PG 42	8	65	P42-LN	P42-LNB
PG 48	7.8	70	P48-LN	P48-LNB
<hr/>				
NPT 1/4	5.5	19	N14-LN	N14-LNB
NPT 3/8	6.8	24	N38-LN	N38-LNB
NPT 1/2	6	27	N12-LN	N12-LNB
NPT 3/4	6.5	32	N34-LN	N34-LNB
NPT 1	7	41	N100-LN	N100-LNB
NPT 1 1/4	7	50	N114-LN	N114-LNB
NPT 1 1/2	7.6	60	N112-LN	N112-LNB
NPT 2	9	70	N200-LN	N200-LNB



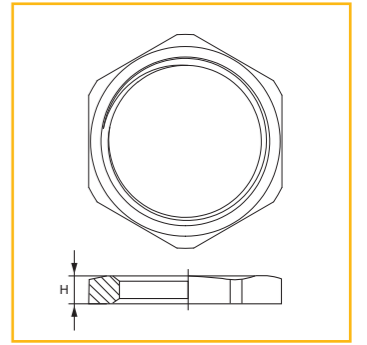
金属六角螺母
Metal LockNuts



→ M/PG/G

RoHS

材料 Material: 黄铜镀镍 Nickel-plated brass
 工作温度 Working temperature: -60°C to 200°C



订货数据 Ordering data

规格 Specs	H	mm	订货号 Order no
ØD1	mm	mm	
M12 x 1.5	2.6	15	M 12BR-LN
M16 x 1.5	2.8	19	M 16BR-LN
M20 x 1.5	3.0	23	M 20BR-LN
M25 x 1.5	3.5	29	M 25BR-LN
M32 x 1.5	4	36	M 32BR-LN
M40 x 1.5	4	45	M 40BR-LN
M50 x 1.5	5.5	55	M 50BR-LN
M63 x 1.5	6	70	M 63BR-LN
<hr/>			
PG 7	2.7	15	P07BR-LN
PG 9	3	18	P09BR-LN
PG 11	3	21	P11BR-LN
PG 13.5	3	23	P13BR-LN
PG 16	3	26	P16BR-LN
PG 21	3.5	32	P21BR-LN
PG 29	4	41	P29BR-LN
PG 36	5	51	P36BR-LN
PG 42	5	60	P42BR-LN
PG 48	5.5	64	P48BR-LN
<hr/>			
G 1/4"	4	17	G14BR-LN
G 3/8"	4.5	19	G38BR-LN
G 1/2"	5	24	G12BR-LN
G 3/4"	5	30	G34BR-LN
G 1"	6	40	G100BR-LN
G 1 1/4"	6	50	G114BR-LN
G 1 1/2"	6	57	G112BR-LN
G 2"	6	64	G200BR-LN



隔爆型防爆电缆固定头

Ex-proof Exd Cable Gland



隔爆型防爆电缆固定头选型指南
Ex-proof Exd Cable Gland Selection-guide



→ BST-Exd系列 Series

产品名称 Item	产品系列 Series	材质 Material	结构类型 Cable Gland Type	认证类别 Certifications	防爆标志 Ex-Mark	防护等级 IP-Grade	工作温度 Working temperature range	螺纹规格 Thread Type	图片 Pictures
隔爆电缆固定头 Ex-proof Exd Cable Gland	SS	黄铜镀镍 不锈钢 Brass Stainless Steel 304 316 316L	单密封 Single Seal	IECEX ATEX CCC 防爆合格证 Qualification	Ex db II C Gb Ex eb II C Gb Ex nR II C Gc Ex ta III C Da IP66/IP68 Ex db I Mb Ex eb I Mb I M2 Ex db I Mb Ex eb I Mb II 2 G Ex db II C Gb Ex eb II C Gb II 1 D Ex ta III C Da IP66/IP68 II 3 G Ex nR II C Gc	IP66 IP68(10m,8h)	-60 C ~ +130 C	M16-M100 NPT 1/2"-NPT 4"	
	DS	黄铜镀镍 不锈钢 Brass Stainless Steel 304 316 316L	双密封 Double Seal						
	SST	黄铜镀镍 不锈钢 Brass Stainless Steel 304 316 316L	单密封带绕线管 Single Seal with Tube						
	SSF	黄铜镀镍 不锈钢 Brass Stainless Steel 304 316 316L	单密封带填料 Single Seal Barrier						
	SSFT	黄铜镀镍 不锈钢 Brass Stainless Steel 304 316 316L	单密封带填料带绕线管 Single Seal Barrier with Tube						
隔爆铠装电缆固定头 Ex-proof Exd Cable Gland	DSA	黄铜镀镍 不锈钢 Brass Stainless Steel 304 316 316L	铠装双密封 Armored Double Seal						
	DSAC	黄铜镀镍 不锈钢 Brass Stainless Steel 304 316 316L	铠装双密封双锁紧 Armored Double Seal with Centric Strain Relief						
	SSFA	黄铜镀镍 不锈钢 Brass Stainless Steel 304 316 316L	铠装单密封带填料 Armored Single Seal with Tube						
	SFAC	黄铜镀镍 不锈钢 Brass Stainless Steel 304 316 316L	铠装单密封双锁紧带填料 Armored Single Seal with Centric Strain Relief and Tube						

型号含义 Model Meaning

BST	Exd-	□	□	□	□
倍仕得 BEISIT	隔爆型 Explosion-proof type	系列代号 The series code SS: Single Seal DS: Double Seal SST: Single Seal with Tube SST: Single Seal Barrier	螺纹规格 Thread specification M16: M16*1.5 M25: M25*1.5 N12: NPT 1/2" N34: NPT 3/4"	最大电缆外径 Maximum cable outer diameter 08: 直径3-8mm	材质 Material BR: 黄铜镀镍 Brass SS: 不锈钢 Stainless steel 304 SA: 不锈钢 Stainless steel 316 SB: 不锈钢 Stainless steel 316L

举例 For Example: BST-Exd-DS-M1608BR

Technical Guidance
Ex e Explosion-proof Enclosure
Ex d Explosion-proof Enclosure
Combined Explosion-proof Enclosure
Ex e Cable Gland
Ex d Cable Gland
Explosion-proof Accessories
Ex Certified Components
Three-proof Case

隔爆配件选型指南
Selection Guide for Explosion - proof Accessories



产品系列 Model					
产品名称 Product series	金属六角螺母 Hexagonal nuts of metal	PTFE垫片/硅胶垫片	防震垫片 Shockproof gasket	接地片 Ground lug	护套 Sheath
材质 Material	黄铜镀镍/不锈钢 Nickel plated brass/Stainless steel	聚四氟乙烯/硅胶 Nickel plated brass	304不锈钢	黄铜镀镍 Orichalcum	PVC
温度范围 Temperature Range	-60℃~200℃	-180℃~260℃/-60℃~130℃	-70℃~200℃	-70℃~150℃	-60℃~90℃
适用规格 Thread Specification	M16-M100	M16-M100 NPT 1/2"-NPT 4"	M16-M100 NPT 1/2"-NPT 4"	M16-M100 NPT 1/2"-NPT 4"	M16-M100

隔爆电缆固定头（单密封）
Explosion-Proof Exd Cable Gland



→ BST-Exd-SS系列 Series

设计规范 Design Specification: IEC62444,EN62444
符合标准 Standards: IEC 60079-0,IEC 60079-1,IEC 60079-7,IEC 60079-15,IEC 60079-31; EN 60079-0,EN 60079-1,EN 60079-7,EN 60079-15,EN 60079-31
GB/T 3836.1、GB/T 3836.2、GB/T 3836.3、GB/T 3836.31
适用于气体1、2区；粉尘20、21、22区
Suitable for gas zones 1 and 2; dust zones 20, 21, and 22
非铠装和编织电缆 Non-Armoured & Braided Cable
-60℃-130℃
认证测试温度 Certificate Testing Temperature: -65℃-150℃
进线处防护等级 Material: IP66/IP68(10m 8h)

认证数据 Authentication Certificate			
认证类别 Certificate Type	防护类别代码 Ex-Mark	认证类别 Certificate Type	防护类别代码 Ex-Mark
IECEX证书 IECEx Certificate	Ex db IIC Gb Ex eb IIC Gb Ex nR IIC Gc Ex Ia IIIC Da IP66/IP68 Ex db I Mb Ex eb I Mb	CCC证书 CCC Certificate	Ex db IIC Gb Ex eb IIC Gb Ex tb IIIC Db
ATEX证书 ATEX Certificate	I M2 Ex db I Mb/Ex eb I Mb II 2 G Ex db II C Gb/Ex eb II C Gb II 1 D Ex Ia IIIC Da IP66/IP68 II 3 G Ex nR II C Gc	防爆合格证 Certificate	Ex db II C Gb/Ex tb IIIC Db IP66/68(10m.8h)

技术数据 Technical data	
螺纹规格 Thread Size	M16-M100、NPT 1/2"-NPT 4"
材质 Material	黄铜镀镍、不锈钢 (304、316、316L) Nickel-plated brass, stainless steel (304, 316, 316L)
拉力测试 Test Relay	承重测试直径20倍 (100%拉力) Load-bearing test: 20 times the diameter (100% tensile force)
静压 Hydrostatic Pressure	静压测试30bar Hydrostatic test 30bar

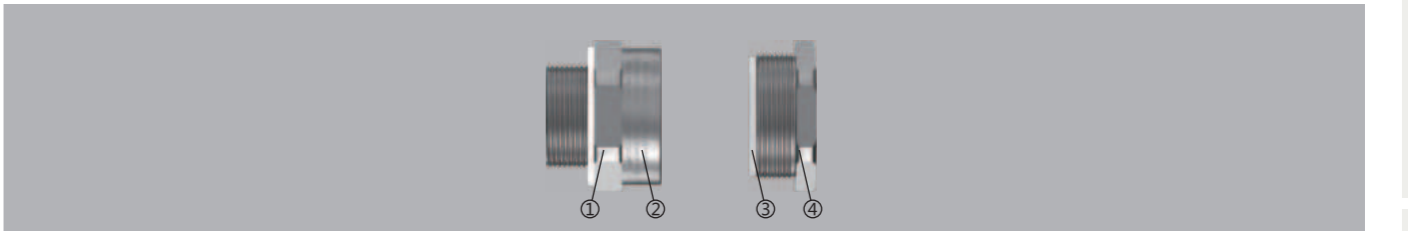
产品FAB The FAB of the product	
特点 Peculiarity	防呆结构设计 The product features a fool - proof structural design. 同一种规格型号、统一的扳手位尺寸 For the same specification and model, it has a unified wrench position size. 可承重电缆直径20倍100%拉力 It can bear 100% of the tensile force equivalent to 20 times the diameter of the cable. 静压可承受30bar压力 It can withstand a static pressure of 30 bar.
优点 Strength	产品规格齐全 The product comes in a wide range of specifications (M16-M100、NPT1/2"~NPT4") 证书齐全: IECEx、ATEX、CCC、防爆合格证 It holds a full set of domestic and international certificates, such as IECEx, ATEX, CCC and explosion - proof certificates. 可正常应用在-60℃的极低温区域 It can be normally used in extremely low - temperature areas of - 60℃. 可正常应用在+130℃的极高温区域 It can be normally used in extremely high - temperature areas of + 130℃. 实验测试温度: -65℃~+150℃ The experimental test temperature ranges from - 65℃ to +150℃. 可在水下10米,正常使用8小时 It can be used normally underwater at a depth of 10 meters for 8 hours.
价值 Value	可带绕线管结构的隔爆电缆固定头自带活接头功能,降低采购成本,客户可不再采购防爆活接头,同时现场施工可提高20%效率 The flameproof cable gland with a flexible conduit structure has a built-in union function. It reduces the procurement cost as customers don't need to purchase explosion-proof unions anymore. Meanwhile, it can increase the on-site construction efficiency by 20%. This product is applicable to cold flow type cables and features the function of preventing cold flow. 产品适用于冷流型电缆,具有防冷流功能 This product is applicable to cold flow type cables and features the function of preventing cold flow.



订货数据 Ordering data

规格 Specs ØD1	Φ mm	H mm	GL mm	mm	订货号 Order no (BR-黄铜镀镍, SS-304, SA-316, SB-316L)
M16 x 1.5	3.0-8.0	30	15	24	BST-Exd-SS-M1608BR
M20 x 1.5	3.0-8.0	29	15	24	BST-Exd-SS-M2008BR
M20 x 1.5	7.5-12.0	29	15	24	BST-Exd-SS-M2012BR
M20 x 1.5	8.7-14.0	30	15	27	BST-Exd-SS-M2014BR
M25 x 1.5	9.0-15.0	38	15	36	BST-Exd-SS-M2515BR
M25 x 1.5	13.0-20.0	38	15	36	BST-Exd-SS-M2520BR
M32 x 1.5	19.0-26.5	36	15	43	BST-Exd-SS-M3227BR
M40 x 1.5	25.0-32.5	39	15	50	BST-Exd-SS-M4033BR
M50 x 1.5	31.0-38.0	40	15	55	BST-Exd-SS-M5038BR
M50 x 1.5	36.0-44.0	45	15	60	BST-Exd-SS-M5044BR
M63 x 1.5	41.5-50.0	46	15	75	BST-Exd-SS-M6350BR
M63 x 1.5	48.0-55.0	46	15	75	BST-Exd-SS-M6355BR
M75 x 1.5	54.0-62.0	45	15	90	BST-Exd-SS-M7562BR
M75 x 1.5	61.0-68.0	45	15	90	BST-Exd-SS-M7568BR
M80 x 2.0	67.0-73.0	61	24	96	BST-Exd-SS-M8073BR
M90 x 2.0	66.6-80.0	60	24	108	BST-Exd-SS-M9080BR
M100 x 2.0	76.0-89.0	76	24	123	BST-Exd-SS-M10089BR
<hr/>					
NPT 1/2"	3.0-8.0	29	19.9	24	BST-Exd-SS-N1208BR
NPT 3/4"	3.0-8.0	29	19.9	27	BST-Exd-SS-N3408BR
NPT 1/2"	7.5-12.0	29	19.9	24	BST-Exd-SS-N1212BR
NPT 3/4"	7.5-12.0	29	19.9	27	BST-Exd-SS-N3412BR
NPT 1/2"	8.7-14.0	30	19.9	27	BST-Exd-SS-N1214BR
NPT 3/4"	8.7-14.0	30	19.9	27	BST-Exd-SS-N3414BR
NPT 3/4"	9.0-15.0	38	20.2	36	BST-Exd-SS-N3415BR
NPT 3/4"	13.0-20.0	38	20.2	36	BST-Exd-SS-N3420BR
NPT 1"	9.0-15.0	38	20.2	36	BST-Exd-SS-N10020BR
NPT 1"	13.0-20.0	38	20.2	36	BST-Exd-SS-N10020BR
NPT 1"	19.0-26.5	36	25	43	BST-Exd-SS-N10027BR
NPT 1 1/4"	19.0-26.5	36	25	43	BST-Exd-SS-N11427BR
NPT 1 1/4"	25.0-32.5	39	25.6	50	BST-Exd-SS-N11433BR
NPT 1 1/2"	25.0-32.5	39	25.6	50	BST-Exd-SS-N11233BR
NPT 2"	31.0-38.0	40	26.1	70	BST-Exd-SS-N20038BR
NPT 2"	35.6-44.0	45	26.9	70	BST-Exd-SS-N20044BR
NPT 2 1/2"	35.6-44.0	45	26.9	80	BST-Exd-SS-N21244BR
NPT 2 1/2"	41.5-50.0	46	26.9	80	BST-Exd-SS-N21250BR
NPT 2 1/2"	48.0-55.0	46	39.9	80	BST-Exd-SS-N21255BR
NPT 3"	48.0-55.0	46	39.9	96	BST-Exd-SS-N30055BR
NPT 3"	54.0-62.0	45	39.9	96	BST-Exd-SS-N30062BR
NPT 3"	61.0-68.0	45	41.5	96	BST-Exd-SS-N30068BR
NPT 3 1/2"	61.0-68.0	45	41.5	108	BST-Exd-SS-N31268BR
NPT 3"	67.0-73.0	61	41.5	96	BST-Exd-SS-N30073BR
NPT 3 1/2"	67.0-73.0	61	41.5	108	BST-Exd-SS-N31273BR
NPT 3 1/2"	66.6-80.0	60	42.8	108	BST-Exd-SS-N31280BR
NPT 4"	66.6-80.0	60	42.8	123	BST-Exd-SS-N40080BR
NPT 3 1/2"	76.0-89.0	76	42.8	123	BST-Exd-SS-N31289BR
NPT 4"	76.0-89.0	76	42.8	123	BST-Exd-SS-N40089BR

在开始安装前, 请仔细阅读所有说明。
Please read all instructions carefully before installation.



1

用游标卡尺确认电缆直径是否在标准线径范围内。
Use vernier caliper to confirm whether cable diameter is within the standard cable range.

2

剥掉电缆外层, 压接好端子。
Strip off the outer sheath of cables, crimp the terminal.

3

确保垫片①安装到位, 将电缆固定头拧入螺纹孔(如果箱体未加工螺纹请使用六角螺母固定), 使用扭力扳手⑤拧紧主体②至标准安装扭力。
Guarantee that the gasket① is installed in place. Screw the cable gland into the thread hole. (If there is no thread in the holes, please use lock nuts to fix cable glands.) Tighten the body② by the torque spanner⑤ to the standard installation torque.

4

将电缆穿过电缆固定头, 用手旋紧迫紧螺帽④。
Pass the cable end go through the gland, tighten the sealing nut④.

5

使用扭力扳手⑤拧紧迫紧螺帽④至标准安装扭力, 使密封件夹紧电缆达到密封和紧固效果。
Tighten the sealing nut④ by the spanner⑤ to standard installation torque, make seal clamp the cable tightly to achieve good sealing and fastening effect.

隔爆电缆固定头 (双密封)
Explosion-Proof Exd Cable Gland



→ BST-Exd-DS系列 Series

设计规范 Design Specification: IEC62444,EN62444
符合标准 Standards: IEC 60079-0,IEC 60079-1,IEC 60079-7,IEC 60079-15,IEC 60079-31;
EN 60079-0,EN 60079-1,EN 60079-7,EN 60079-15,EN 60079-31
GB/T 3836.1、GB/T 3836.2、GB/T 3836.3、GB/T 3836.31
适用范围 Application Scope: 适用于气体1、2区; 粉尘20、21、22区
Suitable for gas zones 1 and 2; dust zones 20, 21, and 22
适用电缆类型 Cable Type: 非铠装和编织电缆 Non-Armoured & Braided Cable
工作温度 Working Temperature: -60°C-130°C
认证测试温度 Certificate Testing Temperature: -65°C-150°C
进线处防护等级 Material: IP66/IP68(10m 8h)



认证数据 Authentication Certificate			
认证类别 Certificate Type	防护类别代码 Ex-Mark	认证类别 Certificate Type	防护类别代码 Ex-Mark
IECEX证书 IECEX Certificate	Ex db IIC Gb Ex eb IIC Gb Ex nR IIC Gc Ex ta IIIC Da IP66/IP68 Ex db I Mb Ex eb I Mb	CCC证书 CCC Certificate	Ex db IIC Gb Ex eb IIC Gb Ex tb IIIC Db
ATEX证书 ATEX Certificate	I M2 Ex db I Mb/Ex eb I Mb II 2 G Ex db II C Gb/Ex eb II C Gb II 1 D Ex ta III C Da IP66/IP68 II 3 G Ex nR II C Gc	防爆合格证 Certificate	Ex db II C Gb/Ex tb IIIC Db IP66/68(10m.8h)

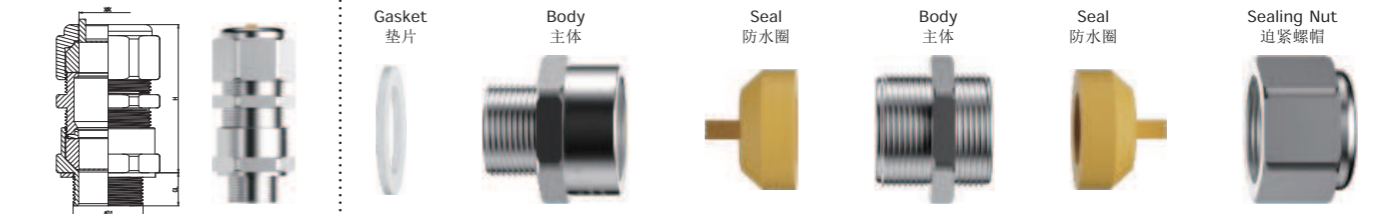
技术数据 Technical data	
螺纹规格 Thread Size	M16-M100、NPT 1/2"-NPT 4"
材质 Material	黄铜镀镍、不锈钢 (304、316、316L) Nickel-plated brass, stainless steel (304, 316, 316L)
拉力测试 Test Relay	承重测试直径20倍 (100%拉力) Load-bearing test: 20 times the diameter (100% tensile force)
静压 Hydrostatic Pressure	静压测试30bar Hydrostatic test 30bar

产品FAB The FAB of the product	
特点 Peculiarity	防呆结构设计 The product features a fool - proof structural design. 同一种规格型号, 统一的扳手位尺寸 For the same specification and model, it has a unified wrench position size. 可承重电缆直径20倍100%拉力 It can bear 100% of the tensile force equivalent to 20 times the diameter of the cable. 静压可承受30bar压力 It can withstand a static pressure of 30 bar.
优点 Strength	产品规格齐全 The product comes in a wide range of specifications (M16-M100、NPT1/2"-NPT4") 证书齐全: IECEX、ATEX、CCC、防爆合格证 It holds a full set of domestic and international certificates, such as IECEX, ATEX, CCC and explosion - proof certificates. 可正常应用在-60°C的极低温区域 It can be normally used in extremely low - temperature areas of - 60°C. 可正常应用在+130°C的极高温区域 It can be normally used in extremely high - temperature areas of + 130°C. 实验测试温度: -65°C~+150°C The experimental test temperature ranges from - 65°C to +150°C. 可在水下10米,正常使用8小时 It can be used normally underwater at a depth of 10 meters for 8 hours.
价值 Value	可带绕线管结构的隔爆电缆固定头自带活接头功能, 降低采购成本, 客户可不再采购防爆活接头, 同时现场施工可提高20%效率 The flameproof cable gland with a flexible conduit structure has a built-in union function. It reduces the procurement cost as customers don't need to purchase explosion-proof unions anymore. Meanwhile, it can increase the on-site construction efficiency by 20%. This product is applicable to cold flow type cables and features the function of preventing cold flow. 产品适用于冷流型电缆, 具有防冷流功能 This product is applicable to cold flow type cables and features the function of preventing cold flow.

隔爆电缆固定头 (双密封)
Explosion-Proof Exd Cable Gland



→ BST-Exd-DS系列 Series



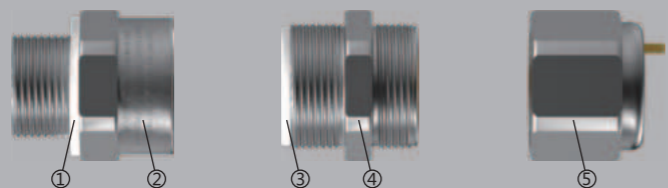
订货数据 Ordering data

规格 Specs ØD1	Ø mm	H mm	GL mm	mm	订货号 Order no (BR-黄铜镀镍、SS-304、SA-316、SB-316L)
M16 x 1.5	3.0-8.0	58	15	24	BST-Exd-DS-M1608BR
M20 x 1.5	3.0-8.0	57	15	24	BST-Exd-DS-M2008BR
M20 x 1.5	7.5-12.0	57	15	24	BST-Exd-DS-M2012BR
M20 x 1.5	8.7-14.0	55	15	27	BST-Exd-DS-M2014BR
M25 x 1.5	9.0-15.0	69	15	36	BST-Exd-DS-M2515BR
M25 x 1.5	13.0-20.0	69	15	36	BST-Exd-DS-M2520BR
M32 x 1.5	19.0-26.5	67	15	43	BST-Exd-DS-M3227BR
M40 x 1.5	25.0-32.5	71	15	50	BST-Exd-DS-M4033BR
M50 x 1.5	31.0-38.0	79	15	55	BST-Exd-DS-M5038BR
M50 x 1.5	36.0-44.0	85	15	60	BST-Exd-DS-M5044BR
M63 x 1.5	41.5-50.0	88	15	75	BST-Exd-DS-M6350BR
M63 x 1.5	48.0-55.0	88	15	75	BST-Exd-DS-M6355BR
M75 x 1.5	54.0-62.0	87	15	90	BST-Exd-DS-M7562BR
M75 x 1.5	61.0-68.0	87	15	90	BST-Exd-DS-M7568BR
M80 x 2.0	67.0-73.0	120	24	96	BST-Exd-DS-M8073BR
M90 x 2.0	66.6-80.0	115	24	108	BST-Exd-DS-M9080BR
M100 x 2.0	76.0-89.0	144	24	123	BST-Exd-DS-M10089BR
NPT 1/2"	3.0-8.0	57	19.9	24	BST-Exd-DS-N1208BR
NPT 3/4"	3.0-8.0	57	19.9	24	BST-Exd-DS-N3408BR
NPT 1/2"	7.5-12.0	57	19.9	24	BST-Exd-DS-N1212BR
NPT 3/4"	7.5-12.0	57	19.9	24	BST-Exd-DS-N3412BR
NPT 1/2"	8.7-14.0	55	19.9	27	BST-Exd-DS-N1214BR
NPT 3/4"	8.7-14.0	55	19.9	27	BST-Exd-DS-N3414BR
NPT 3/4"	9.0-15.0	69	20.2	36	BST-Exd-DS-N3415BR
NPT 3/4"	13.0-20.0	69	20.2	36	BST-Exd-DS-N3420BR
NPT 1"	9.0-15.0	69	20.2	36	BST-Exd-DS-N10020BR
NPT 1"	13.0-20.0	69	20.2	36	BST-Exd-DS-N10015BR
NPT 1"	19.0-26.5	67	25	43	BST-Exd-DS-N10027BR
NPT 1 1/4"	19.0-26.5	67	25	43	BST-Exd-DS-N11427BR
NPT 1 1/4"	25.0-32.5	71	25.6	50	BST-Exd-DS-N11433BR
NPT 1 1/2"	25.0-32.5	71	25.6	50	BST-Exd-DS-N11233BR
NPT 2"	31.0-38.0	79	26.1	55	BST-Exd-DS-N20038BR
NPT 2"	35.6-44.0	85	26.9	60	BST-Exd-DS-N20044BR
NPT 2 1/2"	35.6-44.0	85	26.9	60	BST-Exd-DS-N21244BR
NPT 2 1/2"	41.5-50.0	88	26.9	75	BST-Exd-DS-N21250BR
NPT 2 1/2"	48.0-55.0	88	39.9	75	BST-Exd-DS-N21255BR
NPT 3"	48.0-55.0	88	39.9	75	BST-Exd-DS-N30055BR
NPT 3"	54.0-62.0	87	39.9	90	BST-Exd-DS-N30062BR
NPT 3"	61.0-68.0	87	41.5	90	BST-Exd-DS-N30068BR
NPT 3 1/2"	61.0-68.0	87	41.5	90	BST-Exd-DS-N31268BR
NPT 3"	67.0-73.0	120	41.5	96	BST-Exd-DS-N30073BR
NPT 3 1/2"	67.0-73.0	120	41.5	96	BST-Exd-DS-N31273BR
NPT 3 1/2"	66.6-80.0	115	42.8	108	BST-Exd-DS-N31280BR
NPT 4"	66.6-80.0	115	42.8	108	BST-Exd-DS-N40080BR
NPT 3 1/2"	76.0-89.0	144	42.8	123	BST-Exd-DS-N31289BR
NPT 4"	76.0-89.0	144	42.8	123	BST-Exd-DS-N40089BR

隔爆电缆固定头（双密封）安装作业指导书
Explosion-Proof Exd Cable Gland



在开始安装前，请仔细阅读所有说明。
Please read all instructions carefully before installation.



<p>1</p> <p>用游标卡尺确认电缆直径是否在标准线径范围内。 Use vernier caliper to confirm whether cable diameter is within the standard cable range.</p>	<p>2</p> <p>剥掉电缆外层，压接好端子。 Strip off the outer sheath of cables, crimp the terminal.</p>	<p>3</p> <p>确保垫片①安装到位，将电缆固定头拧入螺纹孔(如果箱体未加工螺纹请使用六角螺母固定)，使用扭力扳手⑥拧紧主体②至标准安装扭力。 Guarantee that the gasket① is installed in place. Screw the cable gland into the thread hole. (If there is no thread in the holes, please use lock nuts to fix cable glands.) Tighten the body② by the torque spanner⑥ to the standard installation torque.</p>
<p>4</p> <p>将电缆穿过电缆固定头，用手旋紧主体④和迫紧螺母⑤。 Pass the cable end go through the gland, tighten the body④ and the sealing nut⑤.</p>	<p>5</p> <p>使用扭力扳手⑥拧紧主体④至标准安装扭力，使密封件夹紧电缆达到密封和紧固效果。 Tighten the body④ by the spanner⑥ to the standard installation torque, make the seal clamp cable tightly to achieve good sealing and fastening effect.</p>	<p>6</p> <p>使用扭力扳手⑥将迫紧螺母⑤拧紧对电缆达到额外密封和紧固。 Tighten the sealing nut⑤ by the torque spanner⑥ to achieve additional sealing and fastening effect.</p>

隔爆电缆固定头（单密封带填料）
Explosion-Proof Exd Cable Gland



→ BST-Exd-SSF系列 Series



设计规范 Design Specification: IEC62444, EN62444
符合标准 Standards: IEC 60079-0, IEC 60079-1, IEC 60079-7, IEC 60079-15, IEC 60079-31; EN 60079-0, EN 60079-1, EN 60079-7, EN 60079-15, EN 60079-31; GB/T 3836.1, GB/T 3836.2, GB/T 3836.3, GB/T 3836.31
适用范围 Application Scope: 适用于气体1、2区；粉尘20、21、22区
Suitable for gas zones 1 and 2; dust zones 20, 21, and 22
适用电缆类型 Cable Type: 非铠装电缆 Non-Armoured Cable
工作温度 Working Temperature: -60°C-130°C
认证测试温度 Certificate Testing Temperature: -65°C-150°C
进线处防护等级 Material: IP66/IP68(10m 8h)



认证证书 Authentication Certificate			
认证类别 Certificate Type	防护类别代码 Ex-Mark	认证类别 Certificate Type	防护类别代码 Ex-Mark
IECEX证书 IECEx Certificate	Ex db IIC Gb Ex eb IIC Gb Ex nR IIC Gc Ex ta IIIC Da IP66/IP68 Ex db I Mb Ex eb I Mb	CCC证书 CCC Certificate	Ex db IIC Gb Ex eb IIC Gb Ex tb IIIC Db
ATEX证书 ATEX Certificate	I M2 Ex db I Mb/Ex eb I Mb II 2 G Ex db II C Gb/Ex eb II C Gb II 1 D Ex ta III C Da IP66/IP68 II 3 G Ex nR II C Gc	防爆合格证 Certificate	Ex db II C Gb/Ex tb III C Db IP66/68(10m.8h)

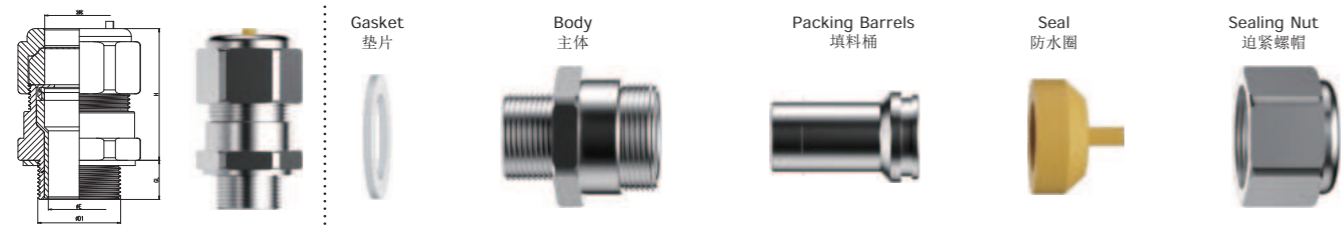
认证数据 Technical data	
螺纹规格 Thread Size	M16-M100、NPT 1/2"-NPT 4"
材质 Material	黄铜镀镍、不锈钢 (304、316、316L) Nickel-plated brass, stainless steel (304, 316, 316L)
拉力测试 Test Relay	承重测试直径20倍 (100%拉力) Load-bearing test: 20 times the diameter (100% tensile force)
静压 Hydrostatic Pressure	静压测试30bar Hydrostatic test 30bar

产品FAB The FAB of the product	
特点 Peculiarity	防呆结构设计 The product features a fool-proof structural design. 同一种规格型号，统一的扳手位尺寸 For the same specification and model, it has a unified wrench position size. 可承重电缆直径20倍100%拉力 It can bear 100% of the tensile force equivalent to 20 times the diameter of the cable. 静压可承受30bar压力 It can withstand a static pressure of 30 bar.
优点 Strength	产品规格齐全 The product comes in a wide range of specifications (M16-M100、NPT1/2"-NPT4") 证书齐全: IECEx、ATEX、CCC、防爆合格证 It holds a full set of domestic and international certificates, such as IECEx, ATEX, CCC and explosion-proof certificates. 可正常应用在-60°C的极低温区域 It can be normally used in extremely low-temperature areas of -60°C. 可正常应用在+130°C的极高温区域 It can be normally used in extremely high-temperature areas of +130°C. 实验测试温度: -65°C~+150°C The experimental test temperature ranges from -65°C to +150°C. 可在水下10米,正常使用8小时 It can be used normally underwater at a depth of 10 meters for 8 hours.
价值 Value	可带绕线管结构的隔爆电缆固定头自带活接头功能，降低采购成本，客户可不再采购防爆活接头，同时现场施工可提高20%效率 The flameproof cable gland with a flexible conduit structure has a built-in union function. It reduces the procurement cost as customers don't need to purchase explosion-proof unions anymore. Meanwhile, it can increase the on-site construction efficiency by 20%. This product is applicable to cold flow type cables and features the function of preventing cold flow. 产品适用于冷流型电缆，具有防冷流功能 This product is applicable to cold flow type cables and features the function of preventing cold flow.

防爆电缆固定头 (单密封带填料)
Explosion-Proof Exd Cable Gland



→ BST-Exd-SSF系列 Series



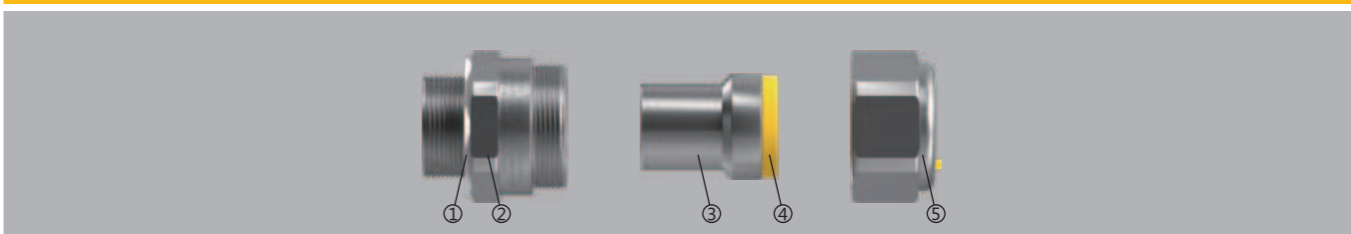
订货数据 Ordering data

规格 Specs ØD1	φ mm	Cable Core Qty	Max.Dia.of Over Cores	E mm	H mm	GL mm	mm	订货号 Order no (BR: 黄铜镀银, SS-304, SA-316, SB-316L)
M16 x 1.5	3.0-8.0	6	6.8	8.5	45	15	24	BST-Exd-SSF-M1608BR
M20 x 1.5	3.0-8.0	6	10	12.5	42	15	24	BST-Exd-SSF-M2008BR
M20 x 1.5	7.5-12.0	6	10	12.5	42	15	24	BST-Exd-SSF-M2012BR
M20 x 1.5	8.7-14.0	10	9.8	12.3	41	15	27	BST-Exd-SSF-M2014BR
M25 x 1.5	9.0-15.0	21	13.4	16.8	51	15	36	BST-Exd-SSF-M2515BR
M25 x 1.5	13.0-20.0	21	13.4	16.8	51	15	36	BST-Exd-SSF-M2520BR
M32 x 1.5	19.0-26.5	42	18.9	23.7	51	15	43	BST-Exd-SSF-M3227BR
M40 x 1.5	25.0-32.5	60	24.8	31.0	53	15	50	BST-Exd-SSF-M4033BR
M50 x 1.5	31.0-38.0	80	30.8	38.5	61	15	55	BST-Exd-SSF-M5038BR
M50 x 1.5	36.0-44.0	80	32.8	41.1	63	15	60	BST-Exd-SSF-M5044BR
M63 x 1.5	41.5-50.0	100	41.6	52.0	66	15	75	BST-Exd-SSF-M6350BR
M63 x 1.5	48.0-55.0	100	41.6	52.0	66	15	75	BST-Exd-SSF-M6355BR
M75 x 1.5	54.0-62.0	120	52.3	65.4	63	15	90	BST-Exd-SSF-M7562BR
M75 x 1.5	61.0-68.0	120	52.3	65.4	63	15	90	BST-Exd-SSF-M7568BR
M80 x 2.0	67.0-73.0	140	56.4	70.5	82	24	96	BST-Exd-SSF-M8073BR
M90 x 2.0	66.6-80.0	140	62.9	78.7	80	24	108	BST-Exd-SSF-M9080BR
M100 x 2.0	76.0-89.0	200	70.9	88.7	98	24	123	BST-Exd-SSF-M10089BR
NPT 1/2"	3.0-8.0	6	10	12.5	42	19.9	24	BST-Exd-SSF-N1208BR
NPT 3/4"	3.0-8.0	6	10	12.5	42	19.9	27	BST-Exd-SSF-N3408BR
NPT 1/2"	7.5-12.0	6	10	12.5	42	19.9	24	BST-Exd-SSF-N1212BR
NPT 3/4"	7.5-12.0	6	10	12.5	42	19.9	27	BST-Exd-SSF-N3412BR
NPT 1/2"	8.7-14.0	10	9.8	12.3	41	19.9	27	BST-Exd-SSF-N1214BR
NPT 3/4"	8.7-14.0	10	9.8	12.3	41	19.9	27	BST-Exd-SSF-N3414BR
NPT 3/4"	9.0-15.0	21	13.4	16.8	51	20.2	36	BST-Exd-SSF-N3415BR
NPT 3/4"	13.0-20.0	21	13.4	16.8	51	20.2	36	BST-Exd-SSF-N3420BR
NPT 1"	9.0-15.0	21	13.4	16.8	51	20.2	36	BST-Exd-SSF-N10015BR
NPT 1"	13.0-20.0	21	13.4	16.8	51	20.2	36	BST-Exd-SSF-N10020BR
NPT 1"	19.0-26.5	42	19.0	23.7	51	25.0	43	BST-Exd-SSF-N10027BR
NPT 1 1/4"	19.0-26.5	42	19.0	23.7	51	25.0	43	BST-Exd-SSF-N11427BR
NPT 1 1/4"	25.0-32.5	60	24.8	31.0	53	25.6	50	BST-Exd-SSF-N11433BR
NPT 1 1/2"	25.0-32.5	60	24.8	31.0	53	25.6	50	BST-Exd-SSF-N11233BR
NPT 2"	31.0-38.0	80	30.8	38.5	61	26.1	70	BST-Exd-SSF-N20038BR
NPT 2"	35.6-44.0	80	32.9	41.1	63	26.6	70	BST-Exd-SSF-N20044BR
NPT 2 1/2"	35.6-44.0	80	32.9	41.1	63	29.9	80	BST-Exd-SSF-N21244BR
NPT 2 1/2"	41.5-50.0	100	41.6	52	66	26.9	80	BST-Exd-SSF-N21250BR
NPT 2 1/2"	48.0-55.0	100	41.6	52	66	39.9	80	BST-Exd-SSF-N21255BR
NPT 3"	48.0-55.0	100	41.6	65.4	66	39.9	96	BST-Exd-SSF-N30055BR
NPT 3"	54.0-62.0	120	52.3	65.4	63	39.9	96	BST-Exd-SSF-N30062BR
NPT 3"	61.0-68.0	120	52.3	65.4	63	41.5	96	BST-Exd-SSF-N30068BR
NPT 3 1/2"	61.0-68.0	120	52.3	70.5	63	41.5	108	BST-Exd-SSF-N31268BR
NPT 3"	67.0-73.0	140	56.4	70.5	82	41.5	96	BST-Exd-SSF-N30073BR
NPT 3 1/2"	67.0-73.0	140	56.4	70.5	82	41.5	108	BST-Exd-SSF-N31273BR
NPT 3 1/2"	66.6-80.0	140	63.0	78.7	80	42.8	108	BST-Exd-SSF-N31280BR
NPT 4"	66.6-80.0	140	63.0	78.8	80	42.8	123	BST-Exd-SSF-N40080BR
NPT 3 1/2"	76.0-89.0	200	71.0	88.7	98	42.8	123	BST-Exd-SSF-N31289BR
NPT 4"	76.0-89.0	200	71.0	88.7	98	42.8	123	BST-Exd-SSF-N40089BR

防爆电缆固定头 (单密封带填料) 安装作业指导书
Explosion-Proof Exd Cable Gland



在开始安装前, 请仔细阅读所有说明。
Please read all instructions carefully before installation.



1

Model	Length of Armored Layer	Model	Length of Armored Layer	Model	Length of Armored Layer	Model	Length of Armored Layer
M1608	19mm	M2520BR	20mm	M5044	27mm	M7568	27mm
M2008	16mm	M3227BR	21mm	M6350	28mm	M8073	34mm
M2012	16mm	M4033BR	21mm	M6355	28mm	M9080	34mm
M2014	16mm	M5038BR	24mm	M7562	27mm	M10089	60mm



剥掉电缆外护套露出内部电缆芯轴 (外护套长度=端子离箱体外侧长度+上剥线长度), 将电缆芯轴的绝缘层清理干净。如果电缆芯上有耐油棉纸, 也应该被拆成一根根单一的芯轴, 使用绝缘胶带将芯轴末端捆扎在一起。
Strip off the outer sheath of cable to expose the inner cable cores. (Outer cutting sheath Length = Distance from the terminal to the outer plate of box + Length of naked wire indicated in the table below) And then clean the insulation layer of cable cores. If there's oil resistance cotton paper wrapped around cable cores, it should be disassembled into single one, bundle cable cores bottom with insulated tapes finally.

2

确保垫片①安装到位, 将主体②拧入螺纹孔(如果箱体未加工螺纹请使用六角螺母固定), 使用扭力扳手⑥将主体②拧紧至安装扭力。
Guarantee that the gasket① is installed in place. Screw the body② into the thread hole. (If there is no thread in the holes, please use lock nuts to fix cable glands.) Tighten the body② by the torque spanner⑥ to the standard installation torque.

3

将电缆末端依次穿过压紧螺帽⑤和填料筒③, 直至外护套超过防水圈④, 拆除芯轴末端的绝缘胶带, 将其垂直固定在装置上。
Pass the end of cable through sealing nut⑤ and filling cylinder③ in turn, until outer insulation layer exceeds seal④, strip off insulating tape at the bottom of cable cores, fix it in cylinder vertically.

4

接上混合喷嘴(小型多芯电缆使用延长喷嘴), 将树脂注入填料筒中③, 确保树脂一直填满到填料筒的底部, 擦去溢出的树脂, 等待树脂从液体初步凝固。0℃环境下需要30分钟 / 10℃环境下需要15分钟 / 20℃环境下需要7分钟 / 30℃环境下需要5分钟。如果混合管内有树脂残留, 丢弃搅拌喷嘴, 将混合管盖子重新盖盖以便下次使用。
Connect mixing nozzle (extension nozzle for small multi-core cable), inject resin into the filling cylinder③, to ensure that the resin is fully filled into the bottom of the filling cylinder, wipe off the overflow resin, wait for the resin to solidify completely. Wait 30 minutes at 0℃ / Wait 15 minutes at 10℃ / Wait 7 minutes at 20℃ / Wait 5 minutes at 30℃. If there is resin left in mixing pipe, discard mixing nozzle and cover mixing pipe again for next use.

5

将填料筒③塞进主体②, 旋紧压紧螺帽⑤。
Insert the filling cylinder③ into the body②, tighten the sealing nut⑤.

6

使用扭力扳手⑥拧紧压紧螺帽⑤至标准安装扭力, 使密封件夹紧电缆达到密封和紧固效果。
Tighten the sealing nut⑤ by the spanner⑥ to the standard installation torque, make seal clamp the cable tightly to achieve good sealing and fastening effect.

防爆电缆固定头 (铠装双密封)
Explosion-Proof Exd Cable Gland



→ BST-Exd-DSA系列 Series



设计规范 Design Specification:
符合标准 Standards:

IEC62444,EN62444
IEC 60079-0,IEC 60079-1,IEC 60079-7,IEC 60079-15,IEC 60079-31;
EN 60079-0,EN 60079-1,EN 60079-7,EN 60079-15,EN 60079-31
GB/T 3836.1、GB/T 3836.2、GB/T 3836.3、GB/T 3836.31

适用范围 Application Scope:

适用于气体1、2区; 粉尘20、21、22区
Suitable for gas zones 1 and 2; dust zones 20, 21, and 22

适用电缆类型 Cable Type:

单线钢丝铠装、铝线铠装、钢带铠装、编织铠装、铝带铠装、柔性线铠装、软屏蔽、线编织等铠装电缆
Single Wire Armoured Cable, Aluminum Wire Armoured Cable, Steel-tape Armoured Cable, Braided Armoured Cable, Aluminum-tape Armoured Cable, Flexible Wire Armoured Cable, Soft-Shielding Armoured Cable, Braided Armoured Cable and etc.

工作温度 Working Temperature

-60°C-130°C

认证测试温度 Certificate Testing Temperature:

-65°C-150°C

进线处防护等级 Material:

IP66/IP68(10m 8h)



认证数据 Authentication Certificate			
认证类别 Certificate Type	防护类别代码 Ex-Mark	认证类别 Certificate Type	防护类别代码 Ex-Mark
IECEX证书 IECEx Certificate	Ex db IIC Gb Ex eb IIC Gb Ex nR IIC Gc Ex ta IIIC Da IP66/IP68 Ex db I Mb Ex eb I Mb	CCC证书 CCC Certificate	Ex db II C Gb Ex eb II C Gb Ex tb III C Db
ATEX证书 ATEX Certificate	I M2 Ex db I Mb/Ex eb I Mb II 2 G Ex db II C Gb/Ex eb II C Gb II 1 D Ex ta III C Da IP66/IP68 II 3 G Ex nR II C Gc	防爆合格证 Certificate	Ex db II C Gb/Ex tb III C Db IP66/68(10m.8h)

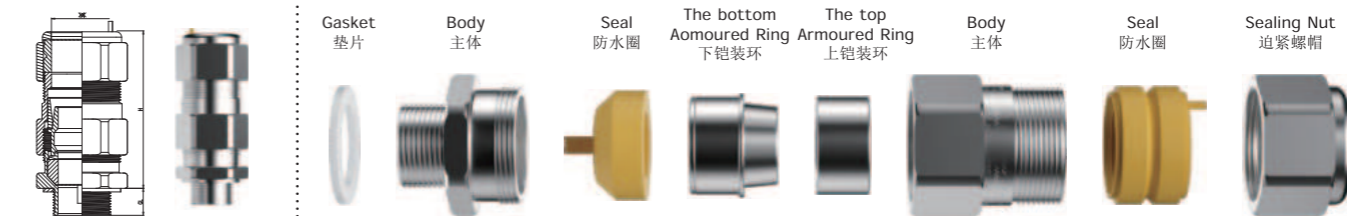
技术数据 Technical data	
螺纹规格 Thread Size	M16-M100、NPT 1/2"-NPT 4"
材质 Material	黄铜镀镍、不锈钢 (304、316、316L) Nickel-plated brass, stainless steel (304, 316, 316L)
拉力测试 Test Relay	承重测试直径20倍 (100%拉力) Load-bearing test: 20 times the diameter (100% tensile force)
静压 Hydrostatic Pressure	静压测试30bar Hydrostatic test 30bar

产品FAB The FAB of the product	
特点 Pecularity	防呆结构设计 The product features a fool - proof structural design. 同一种规格型号, 统一的扳手位尺寸 For the same specification and model, it has a unified wrench position size. 可承重电缆直径20倍100%拉力 It can bear 100% of the tensile force equivalent to 20 times the diameter of the cable. 静压可承受30bar压力 It can withstand a static pressure of 30 bar.
优点 Strength	产品规格齐全 The product comes in a wide range of specifications (M16-M100、NPT1/2"-NPT4") 证书齐全: IECEX、ATEX、CCC防爆合格证 It holds a full set of domestic and international certificates, such as IECEX, ATEX, CCC and explosion - proof certificates. 可正常应用在-60°C的极低温区域 It can be normally used in extremely low - temperature areas of - 60°C. 可正常应用在高+130°C的极高温区域 It can be normally used in extremely high - temperature areas of + 130°C. 实验测试温度: -65°C~+150°C The experimental test temperature ranges from - 65°C to +150°C. 可在水下10米,正常使用8小时 It can be used normally underwater at a depth of 10 meters for 8 hours.
价值 Value	可带挠性管结构的防爆电缆固定头自带活接头功能, 降低采购成本, 客户可不再采购防爆活接头, 同时现场施工可提高20%效率 The flameproof cable gland with a flexible conduit structure has a built-in union function. It reduces the procurement cost as customers don't need to purchase explosion-proof unions anymore. Meanwhile, it can increase the on-site construction efficiency by 20%. This product is applicable to cold flow type cables and features the function of preventing cold flow. 产品适用于冷流型电缆, 具有防冷流功能 This product is applicable to cold flow type cables and features the function of preventing cold flow.

防爆电缆固定头 (铠装双密封)
Explosion-Proof Exd Cable Gland



→ BST-Exd-DSA系列 Series



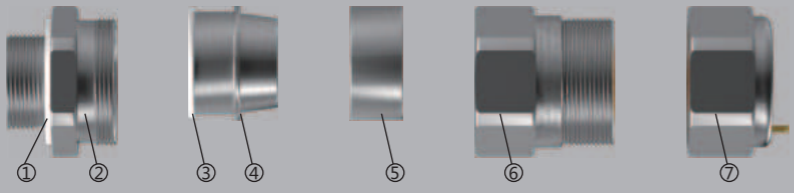
订货数据 Ordering data

规格 Specs ØD1	Dia.Of Outer Sheath	Dia.Of Inner Sheath	Armoured Range Min.	Armoured Range Max.	H mm	GL mm	mm	订货号 Order no (BR-黄铜镀镍、SS-304、SA-316、SB-316L)
M16 x 1.5	6.0-13.0	3.0-8.0	0.0-0.7	0.9-1.25	65	15	27	BST-Exd-DSA-M1613BR
M20 x 1.5	6.0-13.0	3.0-8.0	0.0-0.7	0.9-1.25	65	15	27	BST-Exd-DSA-M2013BR
M20 x 1.5	9.5-16.0	7.5-12.0	0.0-0.7	0.9-1.25	65	15	27	BST-Exd-DSA-M2016BR
M20 x 1.5	12.5-21.0	8.7-14.0	0.0-0.7	0.9-1.25	68	15	30	BST-Exd-DSA-M2021BR
M25 x 1.5	14.0-22.0	9.0-15.0	0.0-0.7	1.25-1.6	84	15	38	BST-Exd-DSA-M2522BR
M25 x 1.5	18.0-26.0	13.0-20.0	0.0-0.7	1.25-1.6	84	15	38	BST-Exd-DSA-M2526BR
M32 x 1.5	23.0-34.0	19.0-26.5	0.0-0.7	1.6-2.0	87	15	46	BST-Exd-DSA-M3234BR
M40 x 1.5	28.0-41.0	25.0-32.5	0.0-0.7	1.6-2.0	90	15	55	BST-Exd-DSA-M4041BR
M50 x 1.5	35.2-47.0	36.0-44.0	0.0-1.0	1.8-2.5	100	15	65	BST-Exd-DSA-M5047BR
M50 x 1.5	43.0-53.0	36.0-44.0	0.0-1.0	1.8-2.5	100	15	65	BST-Exd-DSA-M5053BR
M63 x 1.5	45.6-59.4	41.5-50.0	0.0-1.0	1.8-2.5	103	15	80	BST-Exd-DSA-M6359BR
M63 x 1.5	54.6-66.0	48.0-55.0	0.0-1.0	1.8-2.5	103	15	80	BST-Exd-DSA-M6366BR
M75 x 1.5	59.0-72.0	54.0-62.0	0.0-1.0	1.8-2.5	105	15	95	BST-Exd-DSA-M7572BR
M75 x 1.5	66.7-79.0	61.0-68.0	0.0-1.0	1.8-2.5	105	15	95	BST-Exd-DSA-M7579BR
M80 x 2.0	65.0-80.0	67.0-73.0	0.0-1.0	1.8-2.5	123	24	102	BST-Exd-DSA-M8080BR
M90 x 2.0	75.0-91.0	66.6-80.0	0.0-1.0	1.8-2.5	124	24	114	BST-Exd-DSA-M9091BR
M100 x 2.0	88.0-105.0	76.0-89.0	0.0-1.0	1.8-2.5	140	24	127	BST-Exd-DSA-M100105BR
NPT 1/2"	6.0-13.0	3.0-8.0	0.0-0.7	0.9-1.25	65	19.9	27	BST-Exd-DSA-N1213BR
NPT 3/4"	6.0-13.0	3.0-8.0	0.0-0.7	0.9-1.25	65	19.9	27	BST-Exd-DSA-N3413BR
NPT 1/2"	9.5-16.0	7.5-12.0	0.0-0.7	0.9-1.25	65	19.9	27	BST-Exd-DSA-N1216BR
NPT 3/4"	9.5-16.0	7.5-12.0	0.0-0.7	0.9-1.25	65	19.9	27	BST-Exd-DSA-N3416BR
NPT 1/2"	12.5-21.0	8.7-14.0	0.0-0.7	0.9-1.25	68	19.9	30	BST-Exd-DSA-N1221BR
NPT 3/4"	12.5-21.0	8.7-14.0	0.0-0.7	0.9-1.25	68	19.9	30	BST-Exd-DSA-N3421BR
NPT 3/4"	14.0-22.0	9.0-15.0	0.0-0.7	1.25-1.6	82	20.2	38	BST-Exd-DSA-N3422BR
NPT 3/4"	18.0-26.0	13.0-20.0	0.0-0.7	1.25-1.6	82	20.2	38	BST-Exd-DSA-N3426BR
NPT 1"	14.0-22.0	9.0-15.0	0.0-0.7	1.25-1.6	82	20.2	38	BST-Exd-DSA-N10022BR
NPT 1"	18.0-26.0	13.0-20.0	0.0-0.7	1.25-1.6	82	20.2	38	BST-Exd-DSA-N10026BR
NPT 1"	23.0-34.0	19.0-26.5	0.0-0.7	1.6-2.0	84	25.0	46	BST-Exd-DSA-N10034BR
NPT 1 1/4"	23.0-34.0	19.0-26.5	0.0-0.7	1.6-2.0	84	25.0	46	BST-Exd-DSA-N11434BR
NPT 1 1/4"	28.0-41.0	25.0-32.5	0.0-0.7	1.6-2.0	88	25.6	55	BST-Exd-DSA-N11441BR
NPT 1 1/2"	28.0-41.0	25.0-32.5	0.0-0.7	1.6-2.0	88	25.6	55	BST-Exd-DSA-N11241BR
NPT 2"	35.2-47.0	35.6-44.0	0.0-1.0	1.8-2.5	95	26.1	70	BST-Exd-DSA-N20047BR
NPT 2"	43.0-53.0	35.6-44.0	0.0-1.0	1.8-2.5	95	26.9	70	BST-Exd-DSA-N20053BR
NPT 2 1/2"	43.0-53.0	35.6-44.0	0.0-1.0	1.8-2.5	95	26.9	80	BST-Exd-DSA-N21253BR
NPT 2 1/2"	45.6-59.4	41.5-50.0	0.0-1.0	1.8-2.5	101	26.9	80	BST-Exd-DSA-N21259BR
NPT 2 1/2"	54.6-66.0	48.0-55.0	0.0-1.0	1.8-2.5	101	39.9	80	BST-Exd-DSA-N21266BR
NPT 3"	54.6-66.0	48.0-55.0	0.0-1.0	1.8-2.5	101	39.9	96	BST-Exd-DSA-N30066BR
NPT 3"	59.0-72.0	54.0-67.0	0.0-1.0	1.8-2.5	105	39.9	96	BST-Exd-DSA-N30072BR
NPT 3"	66.7-79.0	61.0-68.0	0.0-1.0	1.8-2.5	105	41.5	96	BST-Exd-DSA-N30079BR
NPT 3 1/2"	66.7-79.0	61.0-68.0	0.0-1.0	1.8-2.5	105	41.5	108	BST-Exd-DSA-N31279BR
NPT 3"	65.0-80.0	67.0-73.0	0.0-1.0	1.8-2.5	123	41.5	102	BST-Exd-DSA-N30080BR
NPT 3 1/2"	65.0-80.0	67.0-73.0	0.0-1.0	1.8-2.5	123	41.5	108	BST-Exd-DSA-N31280BR
NPT 3 1/2"	75.0-91.0	66.6-80.0	0.0-1.0	1.8-2.5	124	42.8	114	BST-Exd-DSA-N31291BR
NPT 4"	75.0-91.0	66.6-80.0	0.0-1.0	1.8-2.5	124	42.8	123	BST-Exd-DSA-N40091BR
NPT 3 1/2"	88.0-105.0	76.0-89.0	0.0-1.0	1.8-2.5	140	42.8	127	BST-Exd-DSA-N312105BR
NPT 4"	88.0-105.0	76.0-89.0	0.0-1.0	1.8-2.5	140	42.8	127	BST-Exd-DSA-N400105BR

防爆电缆固定头（铠装双密封）安装作业指导书
Explosion-Proof Exd Cable Gland



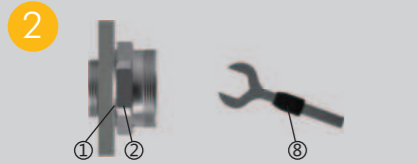
在开始安装前，请仔细阅读所有说明。
Please read all instructions carefully before installation.



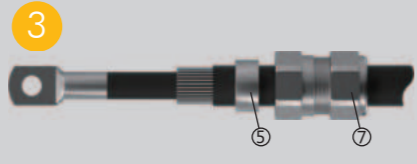
1	Model	Length of Armored Layer	Model	Length of Armored Layer	Model	Length of Armored Layer	Model	Length of Armored Layer
	M1608	14mm	M2520	14mm	M5044	24mm	M7568	26mm
	M2008	14mm	M3227	17mm	M6350	26mm	M8073	26mm
	M2012	14mm	M4033	17mm	M6355	26mm	M9080	26mm
	M2014	14mm	M5038	24mm	M7562	26mm	M10089	28mm



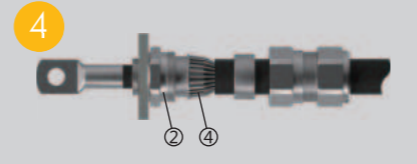
如有需要，在电缆外护套上安装护套；根据箱体大小，剥掉电缆外护套和铠装层；参考上表再剥掉部分外护套，使露出的钢丝长度“L”与上表一致。如果电缆芯上有耐油绵纸，也应该被拆除，使用绝缘胶带将芯线末端捆扎在一起。
Install sheath again on the outer sheath of cable if necessary. Strip off outer sheath and armored layer according to enclosure box size. Strip off outer sheath again according to the parameters in the table above, make the exposed length "L" of steel wire consistent with parameters in the table. If there's oil resistant cotton paper wrapped around cable cores, it should be removed, bundle cable cores bottom with insulated tapes finally.



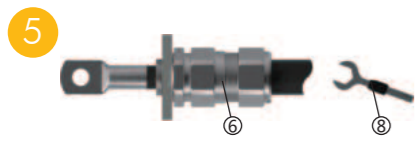
确保垫片①安装到位，将主体②拧入螺纹孔(如果箱体未加工螺纹请使用六角螺母固定)，使用扭力扳手⑧将主体②拧紧至标准安装扭力。
Guarantee that the gasket① is installed in place. Screw the body② into the thread hole. (If there is no thread in the holes, please use lock nuts to fix cable glands.) Tighten the body② by the torque spanner⑧ to the standard installation torque.



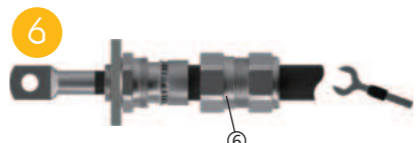
确保迫紧帽⑦是松开的，将电缆穿过组件“A”和上铠装环⑤。
注意：电缆为最大线径时，上铠装环⑤只能通过铠装层。
Guarantee that the sealing nut⑦ is loose, pass the cable through assembly "A" and top armored ring⑤.
Note: When the cable reach maximum diameter, the top armored ring⑤ can only pass through the armored layer.



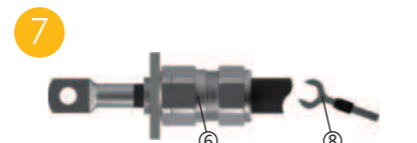
将下铠装环④装至到主体②上，将电缆内层穿过主体直到铠装层与下铠装环④锥体贴合，在圆锥面周围均匀的铺上钢丝。
Install bottom armored ring④ into body②, pass cable cores through body until the armored layer connect conical surface of bottom armored ring④ completely, press the steel wire evenly around the conical surface.



保持铠装层与锥面之间的接触，同时用手拧紧主体⑥直到感觉到强烈的阻力，用扭力扳手⑧进一步拧紧主体⑥使上下铠装环压紧钢丝。
Keep connecting between armored layer and conical surface, at the same time, tighten body⑥ until strong resistance is felt, tighten further body⑥ by torque spanner⑧ to make the bottom and top armored rings press steel wires tightly.



拧开主体⑥检查上下铠装环之间的铠装钢丝是否压紧。
Unscrew body⑥, check whether armored steel wires between bottom and top armored rings has pressed tightly already or not.



用扭力扳手⑧将主体⑥重新拧紧至标准安装扭力，达到密封和紧固的效果。
Screw body⑥ by the spanner⑧ in terms of the standard installation torque to achieve good sealing and fastening effects.



拧紧迫紧螺母⑦使密封件与电缆外护套接触，达到额外的密封和紧固效果。
Tighten sealing nut⑦ to make connection between seal and outer sheath of cable, to achieve good additional sealing and fastening effects.

防爆电缆固定头（铠装双密封双锁紧）
Explosion-Proof Exd Cable Gland



→ BST-Exd-DSAC系列 Series



设计规范 Design Specification: IEC62444, EN62444
符合标准 Standards: IEC 60079-0, IEC 60079-1, IEC 60079-7, IEC 60079-15, IEC 60079-31; EN 60079-0, EN 60079-1, EN 60079-7, EN 60079-15, EN 60079-31
GB/T 3836.1、GB/T 3836.2、GB/T 3836.3、GB/T 3836.31
适用范围 Application Scope: 适用于气体1、2区；粉尘20、21、22区
Suitable for gas zones 1 and 2; dust zones 20, 21, and 22
适用电缆类型 Cable Type: 单线钢丝铠装、铝线铠装、钢带铠装、编织铠装、铝带铠装、柔性线铠装、软屏蔽、线编织等铠装电缆
Single Wire Armoured Cable, Aluminum Wire Armoured Cable, Steel-tape Armoured Cable, Braided Armoured Cable, Aluminum-tape Armoured Cable, Flexible Wire Armoured Cable, Soft-Shielding Armoured Cable, Braided Armoured Cable and etc.
工作温度 Working Temperature: -60°C~130°C
认证测试温度 Certificate Testing Temperature: -65°C~150°C
进线处防护等级 Material: IP66/IP68(10m 8h)



认证数据 Authentication Certificate

认证类别 Certificate Type	防护类别代码 Ex-Mark	认证类别 Certificate Type	防护类别代码 Ex-Mark
IECEX证书 IECEx Certificate	Ex db IIC Gb Ex eb IIC Gb Ex nR IIC Gc Ex ta IIIC Da IP66/IP68 Ex db I Mb Ex eb I Mb	CCC证书 CCC Certificate	Ex db IIC Gb Ex eb IIC Gb Ex tb IIIC Db
ATEX证书 ATEX Certificate	I M2 Ex db I Mb/Ex eb I Mb II 2 G Ex db II C Gb/Ex eb II C Gb II 1 D Ex ta III C Da IP66/IP68 II 3 G Ex nR II C Gc	防爆合格证 Certificate	Ex db II C Gb/Ex tb III C Db IP66/68(10m.8h)

技术数据 Technical data

螺纹规格 Thread Size	M16-M100、NPT 1/2"-NPT 4"
材质 Material	黄铜镀镍、不锈钢 (304、316、316L) Nickel-plated brass, stainless steel (304, 316, 316L)
拉力测试 Test Relay	承重测试直径20倍 (100%拉力) Load-bearing test: 20 times the diameter (100% tensile force)
静压 Hydrostatic Pressure	静压测试30bar Hydrostatic test 30bar

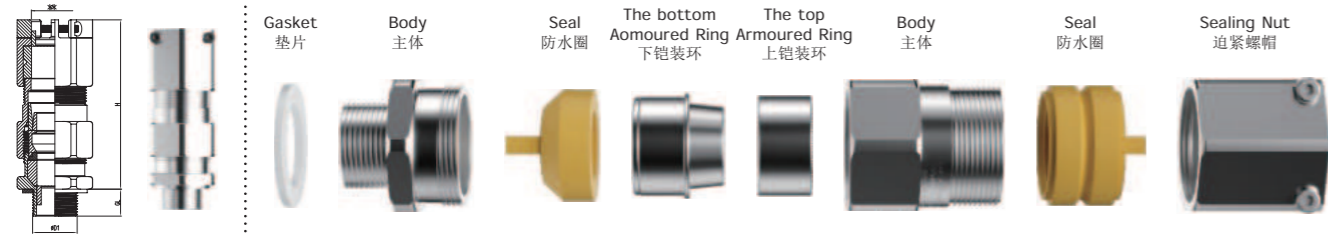
产品FAB The FAB of the product

特点 Peculiarity	防呆结构设计 The product features a fool-proof structural design. 同一种规格型号，统一的扳手位尺寸 For the same specification and model, it has a unified wrench position size. 可承重电缆直径20倍100%拉力 It can bear 100% of the tensile force equivalent to 20 times the diameter of the cable. 静压可承受30bar压力 It can withstand a static pressure of 30 bar.
优点 Strength	产品规格齐全 The product comes in a wide range of specifications (M16-M100、NPT1/2"~NPT4") 证书齐全: IECEx、ATEX、CCC、防爆合格证 It holds a full set of domestic and international certificates, such as IECEx, ATEX, CCC and explosion-proof certificates. 可正常应用在-60°C的极低温区域 It can be normally used in extremely low-temperature areas of -60°C. 可正常应用在+130°C的极高温区域 It can be normally used in extremely high-temperature areas of +130°C. 实验测试温度: -65°C~+150°C The experimental test temperature ranges from -65°C to +150°C. 可在水下10米,正常使用8小时 It can be used normally underwater at a depth of 10 meters for 8 hours.
价值 Value	可带挠性管结构的防爆电缆固定头自带活接头功能，降低采购成本，客户可不再采购防爆活接头，同时现场施工可提高20%效率 The flameproof cable gland with a flexible conduit structure has a built-in union function. It reduces the procurement cost as customers don't need to purchase explosion-proof unions anymore. Meanwhile, it can increase the on-site construction efficiency by 20%. This product is applicable to cold flow type cables and features the function of preventing cold flow. 产品适用于冷流型电缆，具有防冷流功能 This product is applicable to cold flow type cables and features the function of preventing cold flow.

隔爆电缆固定头 (铠装双密封双锁紧)
Explosion-Proof Exd Cable Gland



→ BST-Exd-DSAC系列 Series



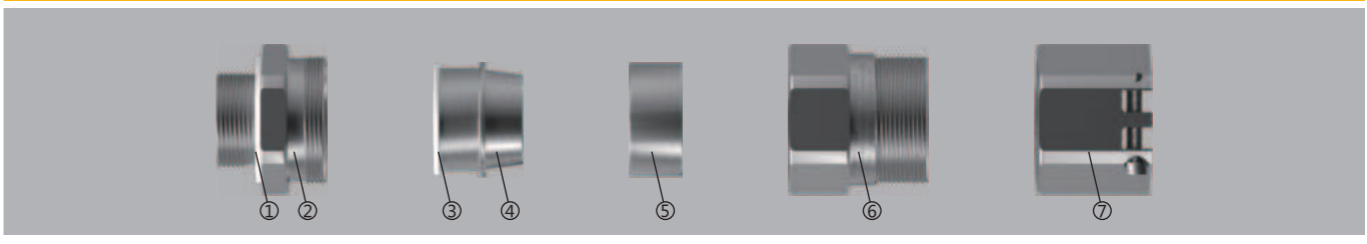
订货数据 Ordering data

规格 Specs ØD1	Dia.Of Outer Sheath	Dia.Of Inner Sheath	Armoured Range Min.	Armoured Range Max.	H mm	GL mm	mm	订货号 Order no (BR-黄铜镀镍, SS-304, SA-316, SB-316L)
M16 x 1.5	6.0-13.0	3.0-8.0	0.0-0.7	0.9-1.25	73	15	27	BST-Exd-DSAC-M1613BR
M20 x 1.5	6.0-13.0	3.0-8.0	0.0-0.7	0.9-1.25	73	15	27	BST-Exd-DSAC-M2013BR
M20 x 1.5	9.5-16.0	7.5-12.0	0.0-0.7	0.9-1.25	73	15	27	BST-Exd-DSAC-M2016BR
M20 x 1.5	12.5-21.0	8.7-14.0	0.0-0.7	0.9-1.25	76	15	30	BST-Exd-DSAC-M2021BR
M25 x 1.5	14.0-22.0	9.0-15.0	0.0-0.7	1.25-1.6	94	15	38	BST-Exd-DSAC-M2522BR
M25 x 1.5	18.0-26.0	13.0-20.0	0.0-0.7	1.25-1.6	94	15	38	BST-Exd-DSAC-M2526BR
M32 x 1.5	23.0-34.0	19.0-26.5	0.0-0.7	1.6-2.0	97	15	46	BST-Exd-DSAC-M3234BR
M40 x 1.5	28.0-41.0	25.0-32.5	0.0-0.7	1.6-2.0	100	15	55	BST-Exd-DSAC-M4041BR
M50 x 1.5	35.2-47.0	31.0-38.0	0.0-1.0	1.8-2.5	110	15	65	BST-Exd-DSAC-M5047BR
M50 x 1.5	43.0-53.0	36.0-44.0	0.0-1.0	1.8-2.5	110	15	65	BST-Exd-DSAC-M5053BR
M63 x 1.5	45.6-59.4	41.5-50.0	0.0-1.0	1.8-2.5	113	15	80	BST-Exd-DSAC-M6359BR
M63 x 1.5	54.6-66.0	48.0-55.0	0.0-1.0	1.8-2.5	113	15	80	BST-Exd-DSAC-M6366BR
M75 x 1.5	59.0-72.0	54.0-62.0	0.0-1.0	1.8-2.5	117	15	95	BST-Exd-DSAC-M7572BR
M75 x 1.5	66.7-79.0	61.0-68.0	0.0-1.0	1.8-2.5	117	15	95	BST-Exd-DSAC-M7579BR
M80 x 2.0	65.0-80.0	67.0-73.0	0.0-1.0	1.8-2.5	135	24	102	BST-Exd-DSAC-M8080BR
M90 x 2.0	75.0-91.0	66.6-80.0	0.0-1.0	1.8-2.5	136	24	114	BST-Exd-DSAC-M9091BR
M100 x 2.0	88.0-105.0	76.0-89.0	0.0-1.0	1.8-2.5	152	24	127	BST-Exd-DSAC-M100105BR
NPT 1/2"	6.0-13.0	3.0-8.0	0.0-0.7	0.9-1.25	73	19.9	27	BST-Exd-DSAC-N1213BR
NPT 3/4"	6.0-13.0	3.0-8.0	0.0-0.7	0.9-1.25	73	19.9	27	BST-Exd-DSAC-N3413BR
NPT 1/2"	9.5-16.0	7.5-12.0	0.0-0.7	0.9-1.25	73	19.9	27	BST-Exd-DSAC-N1216BR
NPT 3/4"	9.5-16.0	7.5-12.0	0.0-0.7	0.9-1.25	73	19.9	27	BST-Exd-DSAC-N3416BR
NPT 1/2"	12.5-21.0	8.7-14.0	0.0-0.7	0.9-1.25	76	19.9	30	BST-Exd-DSAC-N1221BR
NPT 3/4"	12.5-21.0	8.7-14.0	0.0-0.7	0.9-1.25	76	19.9	30	BST-Exd-DSAC-N3421BR
NPT 3/4"	14.0-22.0	9.0-15.0	0.0-0.7	1.25-1.6	94	20.2	38	BST-Exd-DSAC-N3422BR
NPT 3/4"	18.0-26.0	13.0-20.0	0.0-0.7	1.25-1.6	94	20.2	38	BST-Exd-DSAC-N3426BR
NPT 1"	14.0-22.0	9.0-15.0	0.0-0.7	1.25-1.6	94	20.2	38	BST-Exd-DSAC-N10022BR
NPT 1"	18.0-26.0	13.0-20.0	0.0-0.7	1.25-1.6	94	20.2	38	BST-Exd-DSAC-N10026BR
NPT 1"	23.0-34.0	19.0-26.5	0.0-0.7	1.6-2.0	97	25.0	46	BST-Exd-DSAC-N10034BR
NPT 1 1/4"	23.0-34.0	19.0-26.5	0.0-0.7	1.6-2.0	97	25.0	46	BST-Exd-DSAC-N11434BR
NPT 1 1/4"	28.0-41.0	25.0-32.5	0.0-0.7	1.6-2.0	100	25.6	55	BST-Exd-DSAC-N11441BR
NPT 1 1/2"	28.0-41.0	25.0-32.5	0.0-0.7	1.6-2.0	100	25.6	55	BST-Exd-DSAC-N11241BR
NPT 2"	35.2-47.0	31.0-38.0	0.0-1.0	1.8-2.5	110	26.1	70	BST-Exd-DSAC-N20047BR
NPT 2"	43.0-53.0	35.6-44.0	0.0-1.0	1.8-2.5	110	26.9	70	BST-Exd-DSAC-N20053BR
NPT 2 1/2"	43.0-53.0	35.6-44.0	0.0-1.0	1.8-2.5	110	26.9	80	BST-Exd-DSAC-N21253BR
NPT 2 1/2"	45.6-59.4	41.5-50.0	0.0-1.0	1.8-2.5	113	26.9	80	BST-Exd-DSAC-N21259BR
NPT 2 1/2"	54.6-66.0	48.0-55.0	0.0-1.0	1.8-2.5	113	39.9	80	BST-Exd-DSAC-N21266BR
NPT 3"	54.6-66.0	48.0-55.0	0.0-1.0	1.8-2.5	113	39.9	96	BST-Exd-DSAC-N30066BR
NPT 3"	59.0-72.0	54.0-67.0	0.0-1.0	1.8-2.5	117	39.9	96	BST-Exd-DSAC-N30072BR
NPT 3"	66.7-79.0	61.0-68.0	0.0-1.0	1.8-2.5	117	41.5	96	BST-Exd-DSAC-N30079BR
NPT 3 1/2"	66.7-79.0	61.0-68.0	0.0-1.0	1.8-2.5	117	41.5	108	BST-Exd-DSAC-N31279BR
NPT 3"	65.0-80.0	67.0-73.0	0.0-1.0	1.8-2.5	135	41.5	102	BST-Exd-DSAC-N30080BR
NPT 3 1/2"	65.0-80.0	67.0-73.0	0.0-1.0	1.8-2.5	135	41.5	108	BST-Exd-DSAC-N31280BR
NPT 3 1/2"	75.0-91.0	66.6-80.0	0.0-1.0	1.8-2.5	136	42.8	114	BST-Exd-DSAC-N31291BR
NPT 4"	75.0-91.0	66.6-80.0	0.0-1.0	1.8-2.5	136	42.8	123	BST-Exd-DSAC-N40091BR
NPT 3 1/2"	88.0-105.0	76.0-89.0	0.0-1.0	1.8-2.5	152	42.8	127	BST-Exd-DSAC-N312105BR
NPT 4"	88.0-105.0	76.0-89.0	0.0-1.0	1.8-2.5	152	42.8	127	BST-Exd-DSAC-N400105BR

隔爆电缆固定头 (铠装双密封双锁紧) 安装作业指导书
Explosion-Proof Exd Cable Gland



在开始安装前, 请仔细阅读所有说明。
Please read all instructions carefully before installation.



Model	Length of Armored Layer	Model	Length of Armored Layer	Model	Length of Armored Layer	Model	Length of Armored Layer
M1608	14mm	M2520	14mm	M5044	24mm	M7568	26mm
M2008	14mm	M3227	17mm	M6350	26mm	M8073	26mm
M2012	14mm	M4033	17mm	M6355	26mm	M9080	26mm
M2014	14mm	M5038	24mm	M7562	26mm	M10089	28mm

如有需要, 在电缆外护套上安装护套; 根据箱体大小, 剥掉电缆外护套和铠装层; 参考上表再剥掉部分外护套, 使露出的钢丝长度“L”与上表一致。如果电缆芯上有耐油棉纸, 也应该被拆除, 使用绝缘胶带将芯线末端捆扎在一起。
Install sheath again on the outer sheath of cable if necessary. Strip off outer sheath and armored layer according to enclosure box size. Strip off outer sheath again according to the parameters in the table above, make the exposed length “L” of steel wire consistent with parameters in the table. If there's oil resistant cotton paper wrapped around cable cores, it should be removed, bundle cable cores bottom with insulated tapes finally.

2

确保垫片①安装到位, 将主体②拧入螺纹孔(如果箱体未加工螺纹请使用六角螺母固定), 使用扭力扳手⑧将主体②拧紧至标准安装扭力。
Guarantee that the gasket① is installed in place. Screw the body② into the thread hole. (If there is no thread in the holes, please use lock nuts to fix cable glands.) Tighten the body② by the torque spanner⑧ to the standard installation torque.

3

确保迫紧帽⑦是松开的, 将电缆穿过组件“ A ”和上铠装环⑤。注意: 电缆为最大线径时, 上铠装环⑤只能通过铠装层。
Guarantee that the sealing nut⑦ is loose, pass the cable through assembly “A” and top armored ring⑤. Note: When the cable reach maximum diameter, the top armored ring⑤ can only pass through the armored layer.

4

将下铠装环④装至主体②上, 将电缆内护套穿过主体直到铠装层与下铠装环④锥面贴合, 在圆锥面周围均匀的铺上钢丝。
Install bottom armored ring④ into body②, pass cable cores through body until the armored layer connect conical surface of bottom armored ring④ completely, press the steel wire evenly around the conical surface.

5

保持铠装层与锥面之间的接触, 同时用手拧紧主体⑥直到感觉到强烈的阻力, 用扭力扳手⑧进一步拧紧主体⑥使上下铠装环压紧钢丝。
Keep connecting between armored layer and conical surface, at the same time, tighten body⑥ until strong resistance is felt, tighten further body⑥ by torque spanner⑧ to make the bottom and top armored rings press steel wires tightly.

6

拧开主体⑥检查上下铠装环之间的铠装钢丝是否压紧。
Unscrew body⑥, check whether armored steel wires between bottom and top armored rings has pressed tightly already or not.

7

用扭力扳手⑧将主体⑥重新拧紧至标准安装扭力, 达到密封和紧固的效果。
Screw body⑥ by the spanner⑧ in terms of the standard installation torque to achieve good sealing and fastening effects.

8

拧紧迫紧螺母⑦使密封件与电缆外护套接触, 达到额外的密封和紧固效果。
Tighten sealing nut⑦ to make connection between seal and outer sheath of cable, to achieve good additional sealing and fastening effects.

9

将螺栓旋紧, 对电缆外护套达到更高级别的电缆锁紧力。
Tighten bolts to achieve higher-level locking effects of cable sheath.

隔爆电缆固定头 (铠装单密封带填料)
Explosion-Proof Exd Cable Gland



→ BST-Exd-SSFA系列 Series



设计规范 Design Specification:
符合标准 Standards:

IEC62444,EN62444
IEC 60079-0,IEC 60079-1,IEC 60079-7,IEC 60079-15,IEC 60079-31;
EN 60079-0,EN 60079-1,EN 60079-7,EN 60079-15,EN 60079-31
GB/T 3836.1、GB/T 3836.2、GB/T 3836.3、GB/T 3836.31

适用范围 Application Scope:

适用于气体1、2区; 粉尘20、21、22区

适用电缆类型 Cable Type:

Suitable for gas zones 1 and 2; dust zones 20, 21, and 22
单线钢丝铠装、铝线铠装、钢带铠装、编织铠装、铝带铠装、柔性线铠装、软屏蔽、线编织等铠装电缆
Single Wire Armoured Cable, Aluminum Wire Armoured Cable, Steel-tape Armoured Cable, Braided Armoured Cable, Aluminum-tape Armoured Cable, Flexible Wire Armoured Cable, Soft-Shielding Armoured Cable, Braided Armoured Cable and etc.



工作温度 Working Temperature

-60°C-130°C

认证测试温度 Certificate Testing Temperature:

-65°C-150°C

进线处防护等级 Material:

IP66/IP68(10m 8h)

认证证书 Authentication Certificate			
认证类别 Certificate Type	防护类别代码 Ex-Mark	认证类别 Certificate Type	防护类别代码 Ex-Mark
IECEX证书 IECEx Certificate	Ex db IIC Gb Ex eb IIC Gb Ex nR IIC Gc Ex ta IIIC Da IP66/IP68 Ex db I Mb Ex eb I Mb	CCC证书 CCC Certificate	Ex db II C Gb Ex eb II C Gb Ex tb III C Db
ATEX证书 ATEX Certificate	I M2 Ex db I Mb/Ex eb I Mb II 2 G Ex db II C Gb/Ex eb II C Gb II 1 D Ex ta III C Da IP66/IP68 II 3 G Ex nR II C Gc	防爆合格证 Certificate	Ex db II C Gb/Ex tb III C Db IP66/68(10m.8h)

认证数据 Technical data	
螺纹规格 Thread Size	M16-M100、NPT 1/2"-NPT 4"
材质 Material	黄铜镀镍、不锈钢 (304、316、316L) Nickel-plated brass, stainless steel (304, 316, 316L)
拉力测试 Test Relay	承重测试直径20倍 (100%拉力) Load-bearing test: 20 times the diameter (100% tensile force)
静压 Hydrostatic Pressure	静压测试30bar Hydrostatic test 30bar
产品FAB The FAB of the product	

特点 Peculiarity	防呆结构设计 The product features a fool - proof structural design. 同一种规格型号, 统一的扳手位尺寸 For the same specification and model, it has a unified wrench position size. 可承重电缆直径20倍100%拉力 It can bear 100% of the tensile force equivalent to 20 times the diameter of the cable. 静压可承受30bar压力 It can withstand a static pressure of 30 bar.
优点 Strength	产品规格齐全 The product comes in a wide range of specifications (M16-M100、NPT1/2"-NPT4") 证书齐全: IECEx、ATEX、CCC、防爆合格证 It holds a full set of domestic and international certificates, such as IECEx, ATEX, CCC and explosion - proof certificates. 可正常应用在-60°C的极低温区域 It can be normally used in extremely low - temperature areas of - 60°C. 可正常应用在+130°C的极高温区域 It can be normally used in extremely high - temperature areas of + 130°C. 实验测试温度: -65°C~+150°C The experimental test temperature ranges from - 65°C to +150°C. 可在水下10米,正常使用8小时 It can be used normally underwater at a depth of 10 meters for 8 hours.
价值 Value	可带挠性管结构的隔爆电缆固定头自带活接头功能, 降低采购成本, 客户可不再采购防爆活接头, 同时现场施工可提高20%效率 The flameproof cable gland with a flexible conduit structure has a built-in union function. It reduces the procurement cost as customers don't need to purchase explosion-proof unions anymore. Meanwhile, it can increase the on-site construction efficiency by 20%. This product is applicable to cold flow type cables and features the function of preventing cold flow. 产品适用于冷流型电缆, 具有防冷流功能 This product is applicable to cold flow type cables and features the function of preventing cold flow.

隔爆电缆固定头 (铠装单密封带填料)
Explosion-Proof Exd Cable Gland



→ BST-Exd-SSFA系列 Series



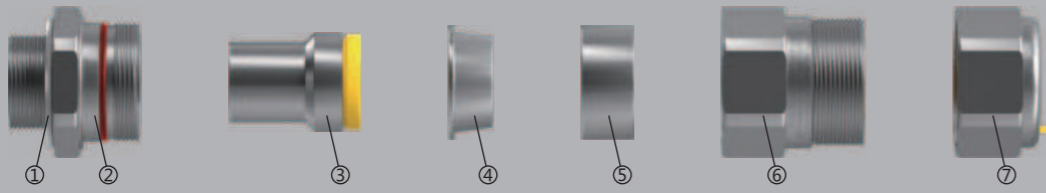
订货数据 Ordering data

规格 Specs ØD1	O.D.of Cable	Cable Core Qty	Max.Dia.of Over Cores	Armoured Range Min.	Armoured Range Max.	E mm	H mm	GL mm	mm	订货号 Order no (BR-黄铜镀镍、SS-304、SA-316、SB-316L)
M16 x 1.5	6.0-13.0	6	6.8	0.0-0.7	0.9-1.25	8.5	69	15	27	BST-Exd-SSFA-M1613BR
M20 x 1.5	6.0-13.0	6	10	0.0-0.7	0.9-1.25	12.5	66	15	27	BST-Exd-SSFA-M2013BR
M20 x 1.5	9.5-16.0	6	10	0.0-0.7	0.9-1.25	12.5	66	15	27	BST-Exd-SSFA-M2016BR
M20 x 1.5	12.5-21.0	10	9.8	0.0-0.7	0.9-1.25	12.3	65	15	30	BST-Exd-SSFA-M2021BR
M25 x 1.5	14.0-22.0	21	13.4	0.0-0.7	1.25-1.6	16.8	82	15	38	BST-Exd-SSFA-M2522BR
M25 x 1.5	18.0-26.0	21	13.4	0.0-0.7	1.25-1.6	16.8	82	15	38	BST-Exd-SSFA-M2526BR
M32 x 1.5	23.0-34.0	42	18.9	0.0-0.7	1.6-2.0	23.7	84	15	46	BST-Exd-SSFA-M3234BR
M40 x 1.5	28.0-41.0	60	24.8	0.0-0.7	1.8-2.5	31.0	88	15	55	BST-Exd-SSFA-M4041BR
M50 x 1.5	35.2-47.0	80	30.8	0.0-1.0	1.8-2.5	38.5	95	15	65	BST-Exd-SSFA-M5047BR
M50 x 1.5	43.0-53.0	80	32.8	0.0-1.0	1.8-2.5	41.1	95	15	65	BST-Exd-SSFA-M5053BR
M63 x 1.5	45.6-59.4	100	41.6	0.0-1.0	1.8-2.5	52.0	101	15	80	BST-Exd-SSFA-M6359BR
M63 x 1.5	54.6-66.0	100	41.6	0.0-1.0	1.8-2.5	52.0	101	15	80	BST-Exd-SSFA-M6366BR
M75 x 1.5	59.0-72.0	120	52.3	0.0-1.0	1.8-2.5	65.4	103	15	95	BST-Exd-SSFA-M7572BR
M75 x 1.5	66.7-79.0	120	52.3	0.0-1.0	1.8-2.5	65.4	103	15	95	BST-Exd-SSFA-M7579BR
M80 x 2.0	65.0-80.0	140	56.4	0.0-1.0	1.8-2.5	70.5	118	24	102	BST-Exd-SSFA-M8080BR
M90 x 2.0	75.0-91.0	140	62.9	0.0-1.0	1.8-2.5	78.7	116	24	114	BST-Exd-SSFA-M9091BR
M100 x 2.0	88.0-105.0	200	70.9	0.0-1.0	1.8-2.5	88.7	130	24	127	BST-Exd-SSFA-M100105BR
NPT 1/2"	6.0-13.0	6	10	0.0-0.7	0.9-1.25	12.5	66	19.9	27	BST-Exd-SSFA-N1213BR
NPT 3/4"	6.0-13.0	6	10	0.0-0.7	0.9-1.25	12.5	66	19.9	27	BST-Exd-SSFA-N3413BR
NPT 1/2"	9.5-16.0	6	10	0.0-0.7	0.9-1.25	12.5	66	19.9	27	BST-Exd-SSFA-N1216BR
NPT 3/4"	9.5-16.0	6	10	0.0-0.7	0.9-1.25	12.5	66	19.9	7	BST-Exd-SSFA-N3416BR
NPT 1/2"	12.5-21.0	10	9.8	0.0-0.7	0.9-1.25	12.3	65	19.9	30	BST-Exd-SSFA-N1221BR
NPT 3/4"	12.5-21.0	10	9.8	0.0-0.7	0.9-1.25	12.3	65	19.9	30	BST-Exd-SSFA-N3421BR
NPT 3/4"	14.0-22.0	21	13.4	0.0-0.7	1.25-1.6	16.8	82	25.0	46	BST-Exd-SSFA-N3422BR
NPT 3/4"	18.0-26.0	21	13.4	0.0-0.7	1.25-1.6	16.8	82	20.2	38	BST-Exd-SSFA-N3426BR
NPT 1"	14.0-22.0	21	13.4	0.0-0.7	1.25-1.6	16.8	82	25.0	46	BST-Exd-SSFA-N10022BR
NPT 1"	18.0-26.0	21	13.4	0.0-0.7	1.25-1.6	16.8	82	20.2	38	BST-Exd-SSFA-N10026BR
NPT 1"	23.0-34.0	42	19.0	0.0-0.7	1.6-2.0	23.7	84	25.0	46	BST-Exd-SSFA-N10034BR
NPT 1 1/4"	23.0-34.0	42	19.0	0.0-0.7	1.6-2.0	23.7	84	25.0	46	BST-Exd-SSFA-N11434BR
NPT 1 1/4"	28.0-41.0	60	24.8	0.0-0.7	1.6-2.0	31.0	88	25.6	55	BST-Exd-SSFA-N11441BR
NPT 1 1/2"	28.0-41.0	60	24.8	0.0-0.7	1.6-2.0	31.0	88	25.6	55	BST-Exd-SSFA-N11241BR
NPT 2"	35.2-47.0	80	30.8	0.0-1.0	1.8-2.5	38.5	95	26.1	70	BST-Exd-SSFA-N20047BR
NPT 2"	43.0-53.0	80	32.9	0.0-1.0	1.8-2.5	41.1	95	26.9	70	BST-Exd-SSFA-N20053BR
NPT 2 1/2"	43.0-53.0	80	32.9	0.0-1.0	1.8-2.5	41.1	95	26.9	80	BST-Exd-SSFA-N21253BR
NPT 2 1/2"	45.6-59.4	100	41.6	0.0-1.0	1.8-2.5	52	101	26.9	80	BST-Exd-SSFA-N21259BR
NPT 2 1/2"	54.6-66.0	100	41.6	0.0-1.0	1.8-2.5	52	101	39.9	80	BST-Exd-SSFA-N21266BR
NPT 3"	54.6-66.0	100	41.6	0.0-1.0	1.8-2.5	65.4	101	39.9	96	BST-Exd-SSFA-N30066BR
NPT 3"	59.0-72.0	120	52.3	0.0-1.0	1.8-2.5	65.4	103	39.9	96	BST-Exd-SSFA-N30072BR
NPT 3"	66.7-79.0	120	52.3	0.0-1.0	1.8-2.5	65.4	103	41.5	96	BST-Exd-SSFA-N30079BR
NPT 3 1/2"	66.7-79.0	120	52.3	0.0-1.0	1.8-2.5	70.5	103	41.5	108	BST-Exd-SSFA-N31279BR
NPT 3"	65.0-80.0	140	56.4	0.0-1.0	1.8-2.5	70.5	118	41.5	102	BST-Exd-SSFA-N30080BR
NPT 3 1/2"	65.0-80.0	140	56.4	0.0-1.0	1.8-2.5	70.5	118	41.5	108	BST-Exd-SSFA-N31280BR
NPT 3 1/2"	75.0-91.0	140	63.0	0.0-1.0	1.8-2.5	78.7	116	42.8	114	BST-Exd-SSFA-N31291BR
NPT 4"	75.0-91.0	140	63.0	0.0-1.0	1.8-2.5	78.8	116	42.8	123	BST-Exd-SSFA-N40091BR
NPT 3 1/2"	88.0-105.0	200	71.0	0.0-1.0	1.8-2.5	88.7	130	42.8	127	BST-Exd-SSFA-N312105BR
NPT 4"	88.0-105.0	200	71.0	0.0-1.0	1.8-2.5	88.7	130	42.8	127	BST-Exd-SSFA-N400105BR

防爆电缆固定头（铠装单密封带填料）安装作业指导书 Explosion-Proof Exd Cable Gland



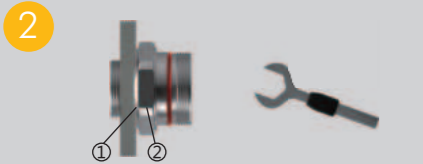
在开始安装前，请仔细阅读所有说明。
Please read all instructions carefully before installation.



Model	Length of Armored Layer	Model	Length of Armored Layer	Model	Length of Armored Layer	Model	Length of Armored Layer
M1608	14mm	M2520	14mm	M5044	24mm	M7568	26mm
M2008	14mm	M3227	17mm	M6350	26mm	M8073	26mm
M2012	14mm	M4033	17mm	M6355	26mm	M9080	26mm
M2014	14mm	M5038	24mm	M7562	26mm	M10089	28mm

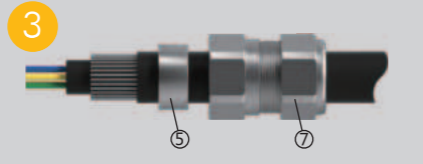


如有需要，在电缆外护层上安装护套；根据箱体大小，剥掉电缆外护层和铠装层；参考上表再剥掉部分外护层，使露出的钢丝长度“L”与上表一致。如果电缆芯上有耐油绵纸，也应该被拆除，使用绝缘胶带将芯线末端捆扎在一起。
Install sheath again on the outer sheath of cable if necessary. Strip off outer sheath and armored layer according to enclosure box size. Strip off outer sheath again according to the parameters in the table above, make the exposed length "L" of steel wire consistent with parameters in the table. If there's oil resistant cotton paper wrapped around cable cores, it should be removed, bundle cable cores bottom with insulated tapes finally.



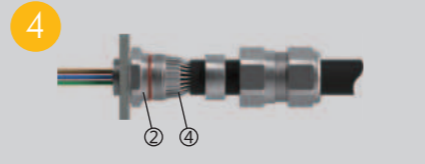
确保垫片①安装到位，将主体②拧入螺纹孔(如果箱体未加工螺纹请使用六角螺母固定)，使用扭力扳手⑧将主体②拧紧至标准安装扭力。

Guarantee that the gasket ① is installed in place. Screw the body ② into the thread hole. (If there is no thread in the holes, please use lock nuts to fix cable glands.) Tighten the body ② by the torque spanner ⑧ in terms of the standard installation torque.



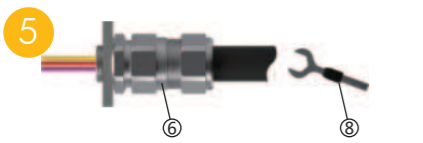
确保迫紧帽⑦是松开的，将电缆穿过组件“A”，上铠装环⑤。注意：电缆为最大线径时，上铠装环只能通过铠装层。

Guarantee that the sealing nut ⑦ is loose, pass the cable through assembly "A", top ⑤ and bottom armored rings ④. Note: When the cable reach maximum diameter, the top armored ring ⑤ can only pass through the armored layer.



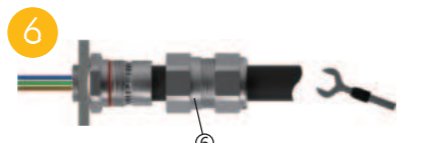
将填料筒③安装至主体②上，将电缆内护层穿过填料筒③直到铠装层与下铠装环④锥体贴合，在圆锥面周围均匀的铺上钢丝。

Install filling cylinder ③ into the body ②, pass cable cores through filling cylinder ③ until the armored layer connect conical surface of bottom armored ring ④ completely, press the steel wire evenly around the conical surface.



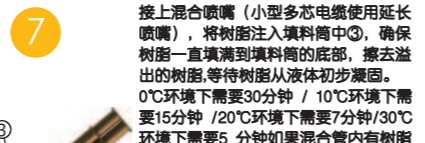
保持铠装层与锥面之间的接触，同时用手拧紧主体⑥直到感觉到强烈的阻力，用扳手进一步拧紧主体⑥使上下铠装环压紧钢丝。

Keep connecting between armored layer and conical surface, at the same time, tighten body ⑥ until strong resistance is felt, tighten further body ⑥ by the torque spanner ⑧ to make the bottom and top armored rings press steel wires tightly.



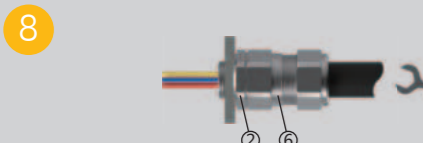
拧开主体⑥检查上下铠装环之间的铠装钢丝是否压紧。

Unscrew body ⑥, check whether armored steel wires between bottom and top armored rings has pressed tightly already or not.



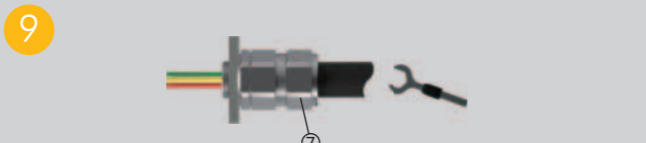
接上混合喷嘴（小型多芯电缆使用延长喷嘴），将树脂注入填料筒中③，确保树脂一直填满到填料筒的底部，擦去溢出的树脂，等待树脂从液体初步凝固。0℃环境下需要30分钟 / 10℃环境下需要15分钟 / 20℃环境下需要7分钟 / 30℃环境下需要5分钟。如果混合管内有树脂残留，丢弃搅拌喷嘴，将混合管盖子重新盖上以便下次使用。

Connect mixing nozzle (extension nozzle for small multi-core cable), inject resin into the filling cylinder ③, to ensure that the resin is fully filled into the bottom of the filling cylinder, wipe off the overflow resin, wait for the resin to solidify completely. Wait 30 minutes at 0℃ / Wait 15 minutes at 10℃ / Wait 7 minutes at 20℃ / Wait 5 minutes at 30℃ if there is resin left in mixing pipe, discard mixing nozzle and cover mixing pipe again for next use.



将填料筒③塞进主体②，旋紧主体⑥，再使用扭力扳手⑧将主体⑥拧紧至标准安装扭力，达到密封和紧固效果。

Insert the filling cylinder ③ into the body ②, Tighten the body ⑥ by the spanner ⑧ to standard installation torque, make body clamp the filling cylinder tightly to achieve good sealing and fastening effect.



拧紧迫紧螺母⑦使密封件与电缆外护层接触，达到额外的密封和紧固效果。

Tighten sealing nut ⑦ to make connection between seal and outer sheath of cable, to achieve good additional sealing and fastening effects.

防爆电缆固定头（铠装单密封双锁紧带填料） Explosion-Proof Exd Cable Gland



→ BST-Exd-SFAC系列 Series



设计规范 Design Specification: IEC62444, EN62444
符合标准 Standards: IEC 60079-0, IEC 60079-1, IEC 60079-7, IEC 60079-15, IEC 60079-31; EN 60079-0, EN 60079-1, EN 60079-7, EN 60079-15, EN 60079-31
GB/T 3836.1, GB/T 3836.2, GB/T 3836.3, GB/T 3836.31
适用范围 Application Scope: 适用于气体1、2区；粉尘20、21、22区
Suitable for gas zones 1 and 2; dust zones 20, 21, and 22
适用电缆类型 Cable Type: 单线钢丝铠装、铝线铠装、钢带铠装、编织铠装、铝带铠装、柔性线铠装、软屏蔽、线编织等铠装电缆
Single Wire Armoured Cable, Aluminum Wire Armoured Cable, Steel-tape Armoured Cable, Braided Armoured Cable, Aluminum-tape Armoured Cable, Flexible Wire Armoured Cable, Soft-Shielding Armoured Cable, Braided Armoured Cable and etc.工作温度 Working Temperature: -60℃~130℃
认证测试温度 Certificate Testing Temperature: -65℃~150℃
进线处防护等级 Material: IP66/IP68(10m 8h)



认证证书 Authentication Certificate

认证类别 Certificate Type	防护类别代码 Ex-Mark	认证类别 Certificate Type	防护类别代码 Ex-Mark
IECEX证书 IECEx Certificate	Ex db IIC Gb Ex eb IIC Gb Ex nR IIC Gc Ex ta IIIC Da IP66/IP68 Ex db I Mb Ex eb I Mb	CCC证书 CCC Certificate	Ex db IIC Gb Ex eb IIC Gb Ex tb IIIC Db
ATEX证书 ATEX Certificate	I M2 Ex db I Mb/Ex eb I Mb II 2 G Ex db II C Gb/Ex eb II C Gb II 1 D Ex ta III C Da IP66/IP68 II 3 G Ex nR II C Gc	防爆合格证 Certificate	Ex db II C Gb/Ex tb III C Db IP66/68(10m.8h)

认证数据 Technical data

螺纹规格 Thread Size	M16-M100, NPT 1/2"-NPT 4"
材质 Material	黄铜镀镍、不锈钢 (304、316、316L) Nickel-plated brass, stainless steel (304, 316, 316L)
拉力测试 Test Relay	承重测试直径20倍 (100%拉力) Load-bearing test: 20 times the diameter (100% tensile force)
静压 Hydrostatic Pressure	静压测试30bar Hydrostatic test 30bar

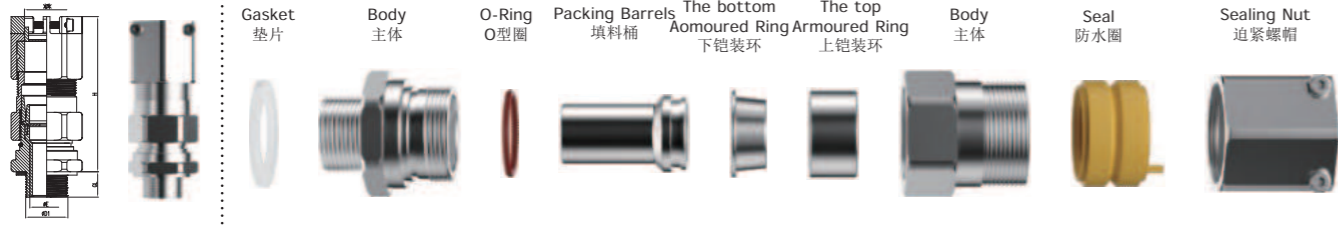
产品FAB The FAB of the product

特点 Pecularity	防呆结构设计 The product features a fool-proof structural design. 同一种规格型号，统一的扳手位尺寸 For the same specification and model, it has a unified wrench position size. 可承重电缆直径20倍100%拉力 It can bear 100% of the tensile force equivalent to 20 times the diameter of the cable. 静压可承受30bar压力 It can withstand a static pressure of 30 bar.
优点 Strength	产品规格齐全 The product comes in a wide range of specifications (M16-M100, NPT1/2"-NPT4") 证书齐全: IECEx, ATEX, CCC、防爆合格证 It holds a full set of domestic and international certificates, such as IECEx, ATEX, CCC and explosion-proof certificates. 可正常应用在-60℃的极低温区域 It can be normally used in extremely low-temperature areas of -60℃. 可正常应用在+130℃的极高温区域 It can be normally used in extremely high-temperature areas of +130℃. 实验测试温度: -65℃~+150℃ The experimental test temperature ranges from -65℃ to +150℃. 可在水下10米,正常使用8小时 It can be used normally underwater at a depth of 10 meters for 8 hours.
价值 Value	可带绕线管结构的防爆电缆固定头自带活接头功能，降低采购成本，客户可不再采购防爆活接头，同时现场施工可提高20%效率 The flameproof cable gland with a flexible conduit structure has a built-in union function. It reduces the procurement cost as customers don't need to purchase explosion-proof unions anymore. Meanwhile, it can increase the on-site construction efficiency by 20%. This product is applicable to cold flow type cables and features the function of preventing cold flow. 产品适用于冷流型电缆，具有防冷流功能 This product is applicable to cold flow type cables and features the function of preventing cold flow.

防爆电缆固定头 (铠装单密封双锁紧带填料)
Explosion-Proof Exd Cable Gland



→ BST-Exd-SFAC系列 Series



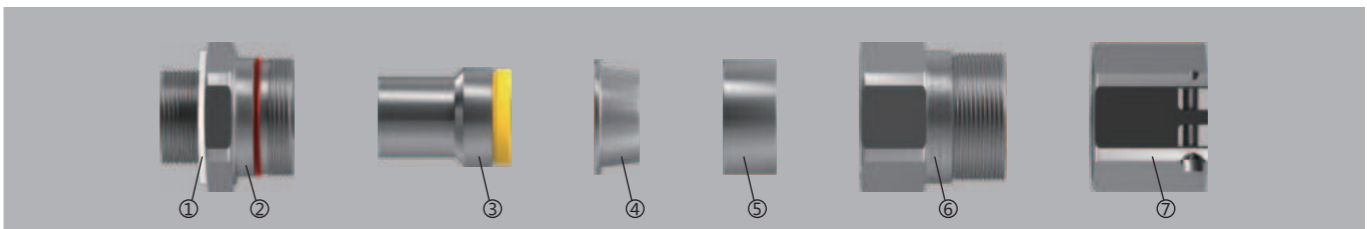
订货数据 Ordering data

规格 Specs ØD1	O.D. of Cable	Cable Core Qty	Max.Dia.of Over Cores	Armoured Range Min.	Armoured Range Max.	E mm	H mm	GL mm	订货号 Order no (BR-黄铜镀镍、SS-304、SA-316、SB-316L)	
M16 x 1.5	6.0-13.0	6	6.8	0.0-0.7	0.9-1.25	8.5	77	15	BST-Exd-SFAC-M1613BR	
M20 x 1.5	6.0-13.0	6	10	0.0-0.7	0.9-1.25	12.5	74	15	BST-Exd-SFAC-M2013BR	
M20 x 1.5	9.5-16.0	6	10	0.0-0.7	0.9-1.25	12.5	74	15	BST-Exd-SFAC-M2016BR	
M20 x 1.5	12.5-21.0	10	9.8	0.0-0.7	0.9-1.25	12.3	73	15	BST-Exd-SFAC-M2021BR	
M25 x 1.5	14.0-22.0	21	13.4	0.0-0.7	1.25-1.6	16.8	92	15	BST-Exd-SFAC-M2522BR	
M25 x 1.5	18.0-26.0	21	13.4	0.0-0.7	1.25-1.6	16.8	92	15	BST-Exd-SFAC-M2526BR	
M32 x 1.5	23.0-34.0	42	18.9	0.0-0.7	1.6-2.0	23.7	94	15	BST-Exd-SFAC-M3234BR	
M40 x 1.5	28.0-41.0	60	24.8	0.0-0.7	1.8-2.5	31.0	98	15	BST-Exd-SFAC-M4041BR	
M50 x 1.5	35.2-47.0	80	30.8	0.0-1.0	1.8-2.5	38.5	105	15	BST-Exd-SFAC-M5047BR	
M50 x 1.5	43.0-53.0	80	32.8	0.0-1.0	1.8-2.5	41.1	105	15	BST-Exd-SFAC-M5053BR	
M63 x 1.5	45.6-59.4	100	41.6	0.0-1.0	1.8-2.5	52.0	111	15	BST-Exd-SFAC-M6359BR	
M63 x 1.5	54.6-66.0	100	41.6	0.0-1.0	1.8-2.5	52.0	111	15	BST-Exd-SFAC-M6366BR	
M75 x 1.5	59.0-72.0	120	52.3	0.0-1.0	1.8-2.5	65.4	115	15	BST-Exd-SFAC-M7572BR	
M75 x 1.5	66.7-79.0	120	52.3	0.0-1.0	1.8-2.5	65.4	115	15	BST-Exd-SFAC-M7579BR	
M80 x 2.0	65.0-80.0	140	56.4	0.0-1.0	1.8-2.5	70.5	130	24	BST-Exd-SFAC-M8080BR	
M90 x 2.0	75.0-91.0	140	62.9	0.0-1.0	1.8-2.5	78.7	128	24	BST-Exd-SFAC-M9091BR	
M100 x 2.0	88.0-105.0	200	70.9	0.0-1.0	1.8-2.5	88.7	142	24	BST-Exd-SFAC-M100105BR	
NPT 1/2"	6.0-13.0	6	10	0.0-0.7	0.9-1.25	12.5	74	19.9	27	BST-Exd-SFAC-N1213BR
NPT 3/4"	6.0-13.0	6	10	0.0-0.7	0.9-1.25	12.5	74	19.9	27	BST-Exd-SFAC-N3413BR
NPT 1/2"	9.5-16.0	6	10	0.0-0.7	0.9-1.25	12.5	74	19.9	27	BST-Exd-SFAC-N1216BR
NPT 3/4"	9.5-16.0	6	10	0.0-0.7	0.9-1.25	12.5	74	19.9	7	BST-Exd-SFAC-N3416BR
NPT 1/2"	12.5-21.0	10	9.8	0.0-0.7	0.9-1.25	12.3	73	19.9	30	BST-Exd-SFAC-N1221BR
NPT 3/4"	12.5-21.0	10	9.8	0.0-0.7	0.9-1.25	12.3	73	19.9	30	BST-Exd-SFAC-N3421BR
NPT 3/4"	14.0-22.0	21	13.4	0.0-0.7	1.25-1.6	16.8	92	20.2	38	BST-Exd-SFAC-N3422BR
NPT 3/4"	18.0-26.0	21	13.4	0.0-0.7	1.25-1.6	16.8	92	20.2	38	BST-Exd-SFAC-N3426BR
NPT 1"	14.0-22.0	21	13.4	0.0-0.7	1.25-1.6	16.8	92	20.2	38	BST-Exd-SFAC-N10022BR
NPT 1"	18.0-26.0	21	13.4	0.0-0.7	1.25-1.6	16.8	92	20.2	38	BST-Exd-SFAC-N10026BR
NPT 1"	23.0-34.0	42	19.0	0.0-0.7	1.6-2.0	23.7	94	25.0	46	BST-Exd-SFAC-N10034BR
NPT 1 1/4"	23.0-34.0	42	19.0	0.0-0.7	1.6-2.0	23.7	94	25.0	46	BST-Exd-SFAC-N11434BR
NPT 1 1/4"	28.0-41.0	60	24.8	0.0-0.7	1.6-2.0	31.0	98	25.6	55	BST-Exd-SFAC-N11441BR
NPT 1 1/2"	28.0-41.0	60	24.8	0.0-0.7	1.6-2.0	31.0	98	25.6	55	BST-Exd-SFAC-N11241BR
NPT 2"	35.2-47.0	80	30.8	0.0-1.0	1.8-2.5	38.5	105	26.1	70	BST-Exd-SFAC-N20047BR
NPT 2"	43.0-53.0	80	32.9	0.0-1.0	1.8-2.5	41.1	105	26.9	70	BST-Exd-SFAC-N20053BR
NPT 2 1/2"	43.0-53.0	80	32.9	0.0-1.0	1.8-2.5	41.1	105	26.9	80	BST-Exd-SFAC-N21253BR
NPT 2 1/2"	45.6-59.4	100	41.6	0.0-1.0	1.8-2.5	52	111	26.9	80	BST-Exd-SFAC-N21259BR
NPT 2 1/2"	54.6-66.0	100	41.6	0.0-1.0	1.8-2.5	52	111	39.9	80	BST-Exd-SFAC-N21266BR
NPT 3"	54.6-66.0	100	41.6	0.0-1.0	1.8-2.5	65.4	111	39.9	96	BST-Exd-SFAC-N30066BR
NPT 3"	59.0-72.0	120	52.3	0.0-1.0	1.8-2.5	65.4	115	39.9	96	BST-Exd-SFAC-N30072BR
NPT 3"	66.7-79.0	120	52.3	0.0-1.0	1.8-2.5	65.4	115	41.5	96	BST-Exd-SFAC-N30079BR
NPT 3 1/2"	66.7-79.0	120	52.3	0.0-1.0	1.8-2.5	70.5	115	41.5	108	BST-Exd-SFAC-N31279BR
NPT 3"	65.0-80.0	140	56.4	0.0-1.0	1.8-2.5	70.5	130	41.5	102	BST-Exd-SFAC-N30080BR
NPT 3 1/2"	65.0-80.0	140	56.4	0.0-1.0	1.8-2.5	70.5	130	41.5	108	BST-Exd-SFAC-N31280BR
NPT 3 1/2"	75.0-91.0	140	63.0	0.0-1.0	1.8-2.5	78.7	128	42.8	114	BST-Exd-SFAC-N31291BR
NPT 4"	75.0-91.0	140	63.0	0.0-1.0	1.8-2.5	78.8	128	42.8	123	BST-Exd-SFAC-N40091BR
NPT 3 1/2"	88.0-105.0	200	71.0	0.0-1.0	1.8-2.5	88.7	142	42.8	127	BST-Exd-SFAC-N312105BR
NPT 4"	88.0-105.0	200	71.0	0.0-1.0	1.8-2.5	88.7	142	42.8	127	BST-Exd-SFAC-N400105BR

防爆电缆固定头 (铠装单密封双锁紧带填料) 安装作业指导书
Explosion-Proof Exd Cable Gland



在开始安装前, 请仔细阅读所有说明。
Please read all instructions carefully before installation.



Model	Length of Armored Layer	Model	Length of Armored Layer	Model	Length of Armored Layer	Model	Length of Armored Layer
M1608	14mm	M2520	14mm	M5044	24mm	M7568	26mm
M2008	14mm	M3227	17mm	M6350	26mm	M8073	26mm
M2012	14mm	M4033	17mm	M6355	26mm	M9080	26mm
M2014	14mm	M5038	24mm	M7562	26mm	M10089	28mm

如有需要, 在电缆外护套上安装护套; 根据箱体大小, 剥掉电缆外护套和铠装层; 参考上表再剥掉部分外护套, 使露出的钢丝长度“L”与上表一致。如果电缆芯上有耐油棉纸, 也应该被拆除, 使用绝缘胶布将芯线末端捆扎在一起。
Install sheath again on the outer sheath of cable if necessary. Strip off outer sheath and armored layer according to enclosure box size. Strip off outer sheath again according to the parameters in the table above, make the exposed length “L” of steel wire consistent with parameters in the table. If there's oil resistant cotton paper wrapped around cable cores, it should be removed, bundle cable cores bottom with insulated tapes finally.

2

确保垫片①安装到位, 将主体②拧入螺孔(如果箱体未加工螺纹请使用六角螺母固定), 使用扭力扳手⑧将主体②拧紧至标准安装扭力。
Guarantee that the gasket① is installed in place. Screw the body② into the thread hole. (If there is no thread in the holes, please use lock nuts to fix cable glands.) Tighten the body② by the torque spanner⑧ in terms of the standard installation torque.

3

确保迫紧圈⑦是松开的, 将电缆穿过组件“A”, 上铠装环⑤。注意: 电缆为最大线径时, 上铠装环只能通过铠装层。
Guarantee that the sealing nut⑦ is loose, pass the cable through assembly “A”, top armored rings ⑤. Note: When the cable reach maximum diameter, the top armored ring ⑤ can only pass through the armored layer.

4

将填料筒③安装至主体②上, 将电缆内护套穿过填料筒③直到铠装层与下铠装环④锥体贴合, 在圆锥面周围均匀的铺上钢丝。
Install filling cylinder③ into the body②, pass cable cores through filling cylinder③ until the armored layer connect conical surface of bottom armored ring④ completely, press the steel wire evenly around the conical surface.

5

保持铠装层与锥面之间的接触, 同时用手拧紧主体⑥直到感觉到强烈的阻力, 用扳手进一步拧紧主体⑥使上下铠装环压紧钢丝。
Keep connecting between armored layer and conical surface, at the same time, tighten body⑥ until strong resistance is felt, tighten further body⑥ by the torque spanner⑧ to make the bottom and top armored rings press steel wires tightly.

6

拧开主体⑥检查上下铠装环之间的铠装钢丝是否压紧。
Unscrew body⑥, check whether armored steel wires between bottom and top armored rings has pressed tightly already or not.

7

接上混合喷嘴(小型多芯电缆使用延长喷嘴), 将树脂注入填料筒中③, 确保树脂一直填满到填料筒的底部, 擦去溢出的树脂, 等待树脂从液体初步凝固。0°C环境下需要30分钟 / 10°C环境下需要15分钟 / 20°C环境下需要7分钟 / 30°C环境下需要5分钟如果混合管内有树脂余留, 丢弃搅拌喷嘴, 将混合管盖子重新盖上去以便下次使用。
Connect mixing nozzle (extension nozzle for small multi-core cable), inject resin into the filling cylinder③, to ensure that the resin is fully filled into the bottom of the filling cylinder, wipe off the overflow resin, wait for the resin to solidify completely. Wait 30 minutes at 0°C / Wait 15 minutes at 10°C / Wait 7 minutes at 20°C / Wait 5 minutes at 30°C if there is resin left in mixing pipe, discard mixing nozzle and cover mixing pipe again for next use.

8

将填料筒③塞进主体②, 旋紧主体⑥, 再用扭力扳手⑧将主体⑥拧紧至标准安装扭力, 达到密封和紧固效果。
Insert the filling cylinder③ into the body②, Tighten the body⑥ by the spanner⑧ to standard installation torque, make body clamp the filling cylinder tightly to achieve good sealing and fastening effect.

9

拧紧迫紧螺帽⑦使密封件与电缆外护套接触, 达到额外的密封和紧固效果。
Tighten sealing nut⑦ to make connection between seal and outer sheath of cable, to achieve good additional sealing and fastening effects.

10

将螺栓旋紧, 对电缆外护套达到更高级别的电缆锁紧力。
Tighten bolts to achieve higher-level locking effects of cable sheath.

隔爆电缆固定头 (单密封带绕线管)
Explosion-Proof Exd Cable Gland



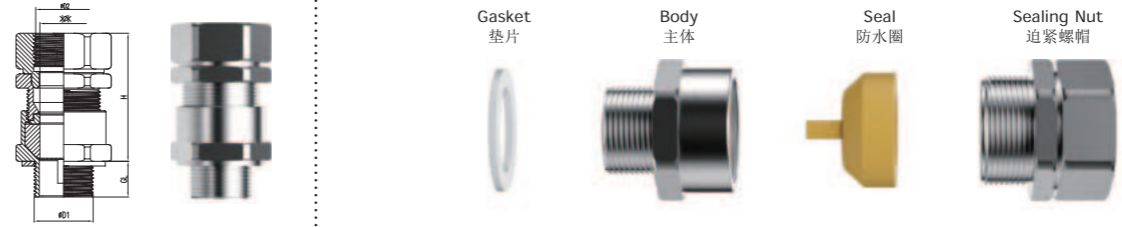
设计规范 Design Specification: IEC62444, EN62444
符合标准 Standards: IEC 60079-0, IEC 60079-1, IEC 60079-7, IEC 60079-15, IEC 60079-31; EN 60079-0, EN 60079-1, EN 60079-7, EN 60079-15, EN 60079-31
GB/T 3836.1, GB/T 3836.2, GB/T 3836.3, GB/T 3836.31
适用范围 Application Scope: 适用于气体1、2区; 粉尘20、21、22区
Suitable for gas zones 1 and 2; dust zones 20, 21, and 22
适用电缆类型 Cable Type: 非铠装和纺织电缆 Non-Armoured & Braided Cable
工作温度 Working Temperature: -60°C-130°C
认证测试温度 Certificate Testing Temperature: -65°C-150°C
进线处防护等级 Material: IP66/IP68(10m 8h)

认证证书 Authentication Certificate			
认证类别 Certificate Type	防护类别代码 Ex-Mark	认证类别 Certificate Type	防护类别代码 Ex-Mark
IECEX证书 IECEx Certificate	Ex db IIC Gb Ex eb IIC Gb Ex nR IIC Gc Ex ta IIIC Da IP66/IP68 Ex db I Mb Ex eb I Mb	CCC证书 CCC Certificate	Ex db IIC Gb Ex eb IIC Gb Ex tb IIIC Db
ATEX证书 ATEX Certificate	I M2 Ex db I Mb/Ex eb I Mb II 2 G Ex db II C Gb/Ex eb II C Gb II 1 D Ex ta III C Da IP66/IP68 II 3 G Ex nR II C Gc	防爆合格证 Certificate	Ex db II C Gb/Ex tb III C Db IP66/68(10m.8h)

认证数据 Technical data	
螺纹规格 Thread Size	M16-M100、NPT 1/2"-NPT 4"
材质 Material	黄铜镀镍、不锈钢 (304、316、316L) Nickel-plated brass, stainless steel (304, 316, 316L)
拉力测试 Test Relay	承重测试直径20倍 (100%拉力) Load-bearing test: 20 times the diameter (100% tensile force)
静压 Hydrostatic Pressure	静压测试30bar Hydrostatic test 30bar

产品FAB The FAB of the product	
特点 Peculiarity	防呆结构设计 The product features a fool-proof structural design. 同一种规格型号, 统一的扳手位尺寸 For the same specification and model, it has a unified wrench position size. 可承重电缆直径20倍100%拉力 It can bear 100% of the tensile force equivalent to 20 times the diameter of the cable. 静压可承受30bar压力 It can withstand a static pressure of 30 bar.
优点 Strength	产品规格齐全 The product comes in a wide range of specifications (M16-M100、NPT1/2"-NPT4") 证书齐全: IECEX、ATEX、CCC、防爆合格证 It holds a full set of domestic and international certificates, such as IECEX, ATEX, CCC and explosion-proof certificates. 可正常应用在-60°C的极低温区域 It can be normally used in extremely low-temperature areas of -60°C. 可正常应用在+130°C的极高温区域 It can be normally used in extremely high-temperature areas of +130°C. 实验测试温度: -65°C~+150°C The experimental test temperature ranges from -65°C to +150°C. 可在水下10米, 正常使用8小时 It can be used normally underwater at a depth of 10 meters for 8 hours.
价值 Value	可带绕线管结构的隔爆电缆固定头自带活接头功能, 降低采购成本, 客户可不再采购防爆活接头, 同时现场施工可提高20%效率 The flameproof cable gland with a flexible conduit structure has a built-in union function. It reduces the procurement cost as customers don't need to purchase explosion-proof unions anymore. Meanwhile, it can increase the on-site construction efficiency by 20%. This product is applicable to cold flow type cables and features the function of preventing cold flow. 产品适用于冷流型电缆, 具有防冷流功能 This product is applicable to cold flow type cables and features the function of preventing cold flow.

隔爆电缆固定头 (单密封带绕线管)
Explosion-Proof Exd Cable Gland



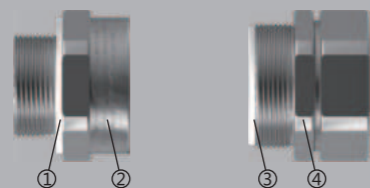
订货数据 Ordering data

规格 Specs ØD1	mm	D2	H mm	GL mm	mm	订货号 Order no (BR-黄铜镀镍, SS-304, SA-316, SB-316L)
M16 x 1.5	3.0-8.0	M16 x 1.5	48	15	24	BST-Exd-SST-M1608BR
M20 x 1.5	3.0-8.0	M20 x 1.5	47	15	24	BST-Exd-SST-M2008BR
M20 x 1.5	7.5-12.0	M20 x 1.5	47	15	24	BST-Exd-SST-M2012BR
M20 x 1.5	8.7-14.0	M20 x 1.5	47	15	27	BST-Exd-SST-M2014BR
M25 x 1.5	9.0-15.0	M25 x 1.5	54	15	36	BST-Exd-SST-M2515BR
M25 x 1.5	13.0-20.0	M25 x 1.5	54	15	36	BST-Exd-SST-M2520BR
M32 x 1.5	19.0-26.5	M32 x 1.5	53	15	43	BST-Exd-SST-M3227BR
M40 x 1.5	25.0-32.5	M40 x 1.5	58	15	50	BST-Exd-SST-M4033BR
M50 x 1.5	31.0-38.0	M50 x 1.5	58	15	55	BST-Exd-SST-M5038BR
M50 x 1.5	36.0-44.0	M50 x 1.5	64	15	60	BST-Exd-SST-M5044BR
M63 x 1.5	41.5-50.0	M63 x 1.5	65	15	75	BST-Exd-SST-M6350BR
M63 x 1.5	48.0-55.0	M63 x 1.5	65	15	75	BST-Exd-SST-M6355BR
M75 x 1.5	54.0-62.0	M75 x 1.5	65	15	90	BST-Exd-SST-M7562BR
M75 x 1.5	61.0-68.0	M75 x 1.5	65	15	90	BST-Exd-SST-M7568BR
M80 x 2.0	67.0-73.0	M80 x 2.0	88	24	96	BST-Exd-SST-M8073BR
M90 x 2.0	66.6-80.0	M90 x 2.0	89	24	108	BST-Exd-SST-M9080BR
M100 x 2.0	76.0-89.0	M100 x 2.0	106	24	123	BST-Exd-SST-M10089BR
NPT 1/2"	3.0-8.0	NPT 1/2"	47	19.9	24	BST-Exd-SST-N1208BR
NPT 3/4"	3.0-8.0	NPT 3/4"	47	19.9	27	BST-Exd-SST-N3408BR
NPT 1/2"	7.5-12.0	NPT 1/2"	47	19.9	24	BST-Exd-SST-N1212BR
NPT 3/4"	7.5-12.0	NPT 3/4"	47	19.9	27	BST-Exd-SST-N3412BR
NPT 1/2"	8.7-14.0	NPT 1/2"	47	19.9	27	BST-Exd-SST-N1214BR
NPT 3/4"	8.7-14.0	NPT 3/4"	47	19.9	27	BST-Exd-SST-N3414BR
NPT 3/4"	9.0-15.0	NPT 3/4"	54	20.2	36	BST-Exd-SST-N3415BR
NPT 3/4"	13.0-20.0	NPT 3/4"	54	20.2	36	BST-Exd-SST-N3420BR
NPT 1"	9.0-15.0	NPT 1"	54	20.2	36	BST-Exd-SST-N10015BR
NPT 1"	13.0-20.0	NPT 1"	54	20.2	36	BST-Exd-SST-N10020BR
NPT 1"	19.0-26.5	NPT 1"	53	25.0	43	BST-Exd-SST-N10027BR
NPT 1 1/4"	19.0-26.5	NPT 1 1/4"	53	25.0	43	BST-Exd-SST-N11427BR
NPT 1 1/4"	25.0-32.5	NPT 1 1/4"	58	25.6	50	BST-Exd-SST-N11433BR
NPT 1 1/2"	25.0-32.5	NPT 1 1/4"	58	25.6	50	BST-Exd-SST-N11233BR
NPT 2"	31.0-38.0	NPT 2"	58	26.1	70	BST-Exd-SST-N20038BR
NPT 2"	35.6-44.0	NPT 2"	64	26.9	70	BST-Exd-SST-N20044BR
NPT 2 1/2"	35.6-44.0	NPT 2 1/2"	64	26.9	80	BST-Exd-SST-N21244BR
NPT 2 1/2"	41.5-50.0	NPT 2 1/2"	66	26.9	80	BST-Exd-SST-N21250BR
NPT 2 1/2"	48.0-55.0	NPT 2 1/2"	66	39.9	80	BST-Exd-SST-N21255BR
NPT 3"	48.0-55.0	NPT 3"	66	39.9	96	BST-Exd-SST-N30055BR
NPT 3"	54.0-62.0	NPT 3"	63	39.9	96	BST-Exd-SST-N30062BR
NPT 3"	61.0-68.0	NPT 3"	63	41.5	96	BST-Exd-SST-N30068BR
NPT 3 1/2"	61.0-68.0	NPT 3 1/2"	63	41.5	108	BST-Exd-SST-N31268BR
NPT 3"	67.0-73.0	NPT 3"	82	41.5	96	BST-Exd-SST-N30073BR
NPT 3 1/2"	67.0-73.0	NPT 3 1/2"	82	41.5	108	BST-Exd-SST-N31273BR
NPT 3 1/2"	66.6-80.0	NPT 3 1/2"	80	42.8	108	BST-Exd-SST-N31280BR
NPT 4"	66.6-80.0	NPT 4"	82	42.8	123	BST-Exd-SST-N40080BR
NPT 3 1/2"	76.0-89.0	NPT 3 1/2"	98	42.8	123	BST-Exd-SST-N31289BR
NPT 4"	76.0-89.0	NPT 4"	98	42.8	123	BST-Exd-SST-N40089BR

防爆电缆固定头（单密封带绕线管）安装作业指导书
Explosion-Proof Exd Cable Gland



在开始安装前，请仔细阅读所有说明。
Please read all instructions carefully before installation.



<p>1</p> <p>用游标卡尺确认电缆直径是否在标准线径范围内。 Use vernier caliper to confirm whether cable diameter is within the standard cable range.</p>	<p>2</p> <p>剥掉电缆外层，压接好端子。 Strip off the outer sheath of cables, crimp the terminal.</p>	<p>3</p> <p>确保垫片①安装到位，将电缆固定头拧入螺纹孔(如果箱体未加工螺纹请使用六角螺母固定)，使用扭力扳手⑥拧紧主体②至标准安装扭力。 Guarantee that the gasket① is installed in place. Screw the cable gland into the thread hole. (If there is no thread in the holes, please use lock nuts to fix cable glands.) Tighten the body② by the torque spanner⑥ to the standard installation torque.</p>
<p>4</p> <p>将电缆穿过电缆固定头，用手旋紧迫紧螺帽④。 Pass the cable end go through the gland, tighten the sealing nut④.</p>	<p>5</p> <p>使用扭力扳手⑥拧紧迫紧螺帽④至标准安装扭力，使密封件夹紧电缆达到密封和紧固效果。 Tighten the sealing nut④ by the spanner⑥ to the standard installation torque, make seal clamp the cable tightly to achieve good sealing and fastening effect.</p>	<p>6</p> <p>固定迫紧螺帽④的活动部位，将绕线管⑤拧紧至迫紧螺帽④上。 Fix the movable part of the sealing nut④, tighten the flexible tube set⑤ to the sealing nut④.</p>

防爆电缆固定头（单密封带填料带绕线管）
Explosion-Proof Exd Cable Gland



→ BST-Exd-SSFT系列 Series



设计规范 Design Specification: IEC62444, EN62444
符合标准 Standards: IEC 60079-0, IEC 60079-1, IEC 60079-7, IEC 60079-15, IEC 60079-31; EN 60079-0, EN 60079-1, EN 60079-7, EN 60079-15, EN 60079-31; GB/T 3836.1, GB/T 3836.2, GB/T 3836.3, GB/T 3836.31
适用范围 Application Scope: 适用于气体1、2区；粉尘20、21、22区
Suitable for gas zones 1 and 2; dust zones 20, 21, and 22
适用电缆类型 Cable Type: 非铠装电缆 Non-Armoured Cable
工作温度 Working Temperature: -60°C-130°C
认证测试温度 Certificate Testing Temperature: -65°C-150°C
进线处防护等级 Material: IP66/IP68(10m 8h)



认证数据 Authentication Certificate			
认证类别 Certificate Type	防护类别代码 Ex-Mark	认证类别 Certificate Type	防护类别代码 Ex-Mark
IECEx证书 IECEx Certificate	Ex db IIC Gb Ex eb IIC Gb Ex nR IIC Gc Ex ta IIIC Da IP66/IP68 Ex db I Mb Ex eb I Mb	CCC证书 CCC Certificate	Ex db IIC Gb Ex eb IIC Gb Ex tb IIIC Db
ATEX证书 ATEX Certificate	I M2 Ex db I Mb/Ex eb I Mb II 2 G Ex db II C Gb/Ex eb II C Gb II 1 D Ex ta III C Da IP66/IP68 II 3 G Ex nR IIC Gc	防爆合格证 Certificate	Ex db II C Gb/Ex tb III C Db IP66/68(10m.8h)

技术数据 Technical data	
螺纹规格 Thread Size	M16-M100、NPT 1/2"-NPT 4"
材质 Material	黄铜镀镍、不锈钢 (304、316、316L) Nickel-plated brass, stainless steel (304, 316, 316L)
拉力测试 Test Relay	承重测试直径20倍 (100%拉力) Load-bearing test: 20 times the diameter (100% tensile force)
静压 Hydrostatic Pressure	静压测试30bar Hydrostatic test 30bar

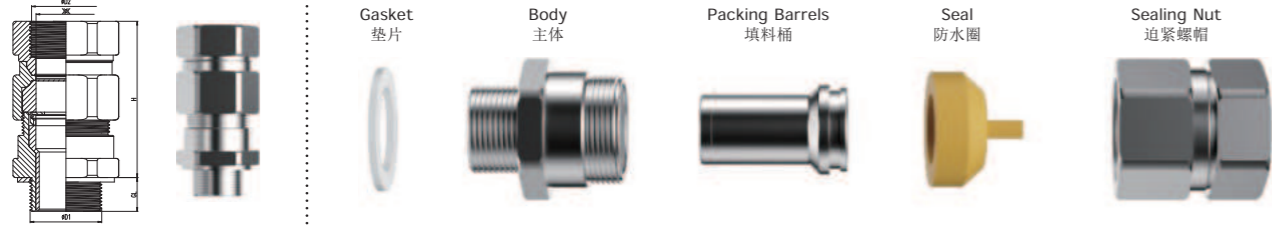
产品FAB The FAB of the product	
特点 Peculiarity	防呆结构设计 The product features a fool - proof structural design. 同一种规格型号，统一的扳手位尺寸 For the same specification and model, it has a unified wrench position size. 可承重电缆直径20倍100%拉力 It can bear 100% of the tensile force equivalent to 20 times the diameter of the cable. 静压可承受30bar压力 It can withstand a static pressure of 30 bar.
优点 Strength	产品规格齐全 The product comes in a wide range of specifications (M16-M100、NPT1/2"-NPT4") 证书齐全: IECEx、ATEX、CCC、防爆合格证 It holds a full set of domestic and international certificates, such as IECEx, ATEX, CCC and explosion - proof certificates. 可正常应用在-60°C的极低温区域 It can be normally used in extremely low - temperature areas of - 60°C. 可正常应用在+130°C的极高温区域 It can be normally used in extremely high - temperature areas of + 130°C. 实验测试温度: -65°C~+150°C The experimental test temperature ranges from - 65°C to +150°C. 可在水下10米,正常使用8小时 It can be used normally underwater at a depth of 10 meters for 8 hours.
价值 Value	可带绕线管结构的防爆电缆固定头自带活接头功能，降低采购成本，客户可不再采购防爆活接头，同时现场施工可提高20%效率 The flameproof cable gland with a flexible conduit structure has a built-in union function. It reduces the procurement cost as customers don't need to purchase explosion-proof unions anymore. Meanwhile, it can increase the on-site construction efficiency by 20%. This product is applicable to cold flow type cables and features the function of preventing cold flow. 产品适用于冷流型电缆，具有防冷流功能 This product is applicable to cold flow type cables and features the function of preventing cold flow.

防爆电缆固定头 (单密封带填料带绕线管)

Explosion-Proof Exd Cable Gland



→ BST-Exd-SSFT系列 Series



订货数据 Ordering data

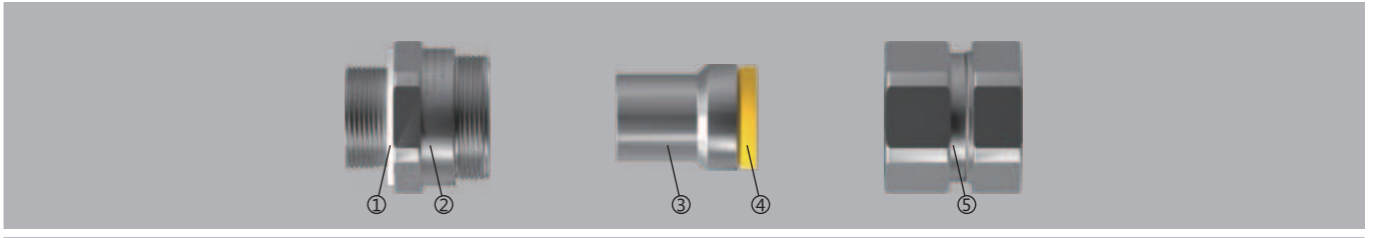
规格 Specs ØD1	mm	D2	Cable Core Qty	Max.Dia.of Over Cores	E mm	H mm	GL mm	mm	订货号 Order no (BR-黄铜镀镍、SS-304、SA-316、SB-316L)
M16 x 1.5	3.0-8.0	M16 x 1.5	6	6.8	8.5	63	15	24	BST-Exd-SSFT-M1608BR
M20 x 1.5	3.0-8.0	M20 x 1.5	6	10	12.5	60	15	24	BST-Exd-SSFT-M2008BR
M20 x 1.5	7.5-12.0	M20 x 1.5	6	10	12.5	60	15	24	BST-Exd-SSFT-M2012BR
M20 x 1.5	8.7-14.0	M20 x 1.5	10	9.8	12.3	60	15	27	BST-Exd-SSFT-M2014BR
M25 x 1.5	9.0-15.0	M25 x 1.5	21	13.4	16.8	68	15	36	BST-Exd-SSFT-M2515BR
M25 x 1.5	13.0-20.0	M25 x 1.5	21	13.4	16.8	68	15	36	BST-Exd-SSFT-M2520BR
M32 x 1.5	19.0-26.5	M32 x 1.5	42	18.9	23.7	68	15	43	BST-Exd-SSFT-M3227BR
M40 x 1.5	25.0-32.5	M40 x 1.5	60	24.8	31.0	72	15	50	BST-Exd-SSFT-M4033BR
M50 x 1.5	31.0-38.0	M50 x 1.5	80	30.8	38.5	79	15	55	BST-Exd-SSFT-M5038BR
M50 x 1.5	36.0-44.0	M50 x 1.5	80	32.8	41.1	82	15	60	BST-Exd-SSFT-M5044BR
M63 x 1.5	41.5-50.0	M63 x 1.5	100	41.6	52.0	84	15	75	BST-Exd-SSFT-M6350BR
M63 x 1.5	48.0-55.0	M63 x 1.5	100	41.6	52.0	84	15	75	BST-Exd-SSFT-M6355BR
M75 x 1.5	54.0-62.0	M75 x 1.5	120	52.3	65.4	83	15	90	BST-Exd-SSFT-M7562BR
M75 x 1.5	61.0-68.0	M75 x 1.5	120	52.3	65.4	83	15	90	BST-Exd-SSFT-M7568BR
M80 x 2.0	67.0-73.0	M80 x 2.0	140	56.4	70.5	109	24	96	BST-Exd-SSFT-M8073BR
M90 x 2.0	66.6-80.0	M90 x 2.0	140	62.9	78.7	110	24	108	BST-Exd-SSFT-M9080BR
M100 x 2.0	76.0-89.0	M100 x 2.0	200	70.9	88.7	128	24	123	BST-Exd-SSFT-M10089BR
NPT 1/2"	3.0-8.0	NPT 1/2"	6	10	12.5	60	19.9	24	BST-Exd-SSFT-N1208BR
NPT 3/4"	3.0-8.0	NPT 3/4"	6	10	12.5	60	19.9	27	BST-Exd-SSFT-N3408BR
NPT 1/2"	7.5-12.0	NPT 1/2"	6	10	12.5	60	19.9	24	BST-Exd-SSFT-N1212BR
NPT 3/4"	7.5-12.0	NPT 3/4"	6	10	12.5	60	19.9	27	BST-Exd-SSFT-N3412BR
NPT 1/2"	8.7-14.0	NPT 1/2"	10	9.8	12.3	60	19.9	27	BST-Exd-SSFT-N1214BR
NPT 3/4"	8.7-14.0	NPT 3/4"	10	9.8	12.3	60	19.9	27	BST-Exd-SSFT-N3414BR
NPT 3/4"	9.0-15.0	NPT 3/4"	21	13.4	16.8	68	20.2	36	BST-Exd-SSFT-N3415BR
NPT 3/4"	13.0-20.0	NPT 3/4"	21	13.4	16.8	68	20.2	36	BST-Exd-SSFT-N3420BR
NPT 1"	9.0-15.0	NPT 1"	21	13.4	16.8	68	20.2	36	BST-Exd-SSFT-N10015BR
NPT 1"	13.0-20.0	NPT 1"	21	13.4	16.8	68	20.2	36	BST-Exd-SSFT-N10020BR
NPT 1"	19.0-26.5	NPT 1"	42	19.0	23.7	68	25.0	43	BST-Exd-SSFT-N10027BR
NPT 1 1/4"	19.0-26.5	NPT 1 1/4"	42	19.0	23.7	68	25.0	43	BST-Exd-SSFT-N11427BR
NPT 1 1/4"	25.0-32.5	NPT 1 1/4"	60	24.8	31.0	72	25.6	50	BST-Exd-SSFT-N11433BR
NPT 1 1/2"	25.0-32.5	NPT 1 1/2"	60	24.8	31.0	72	25.6	50	BST-Exd-SSFT-N11233BR
NPT 2"	31.0-38.0	NPT 2"	80	30.8	38.5	79	26.1	70	BST-Exd-SSFT-N20038BR
NPT 2"	35.6-44.0	NPT 2"	80	32.9	41.1	82	26.9	70	BST-Exd-SSFT-N20044BR
NPT 2 1/2"	35.6-44.0	NPT 2 1/2"	80	32.9	41.1	82	26.9	80	BST-Exd-SSFT-N21244BR
NPT 2 1/2"	41.5-50.0	NPT 2 1/2"	100	41.6	52	84	26.9	80	BST-Exd-SSFT-N21250BR
NPT 2 1/2"	48.0-55.0	NPT 2 1/2"	100	41.6	52	84	39.9	80	BST-Exd-SSFT-N21255BR
NPT 3"	48.0-55.0	NPT 3"	100	41.6	65.4	84	39.9	96	BST-Exd-SSFT-N30055BR
NPT 3"	54.0-62.0	NPT 3"	120	52.3	65.4	83	39.9	96	BST-Exd-SSFT-N30062BR
NPT 3"	61.0-68.0	NPT 3"	120	52.3	65.4	83	41.5	96	BST-Exd-SSFT-N30068BR
NPT 3 1/2"	61.0-68.0	NPT 3 1/2"	120	52.3	70.5	83	41.5	108	BST-Exd-SSFT-N31268BR
NPT 3"	67.0-73.0	NPT 3"	140	56.4	70.5	113	41.5	96	BST-Exd-SSFT-N30073BR
NPT 3 1/2"	67.0-73.0	NPT 3 1/2"	140	56.4	70.5	113	41.5	108	BST-Exd-SSFT-N31273BR
NPT 3 1/2"	66.6-80.0	NPT 3 1/2"	140	63.0	78.7	114	42.8	108	BST-Exd-SSFT-N31280BR
NPT 4"	66.6-80.0	NPT 4"	140	63.0	78.8	114	42.8	123	BST-Exd-SSFT-N40080BR
NPT 3 1/2"	76.0-89.0	NPT 3 1/2"	200	71.0	88.7	132	42.8	123	BST-Exd-SSFT-N31289BR
NPT 4"	76.0-89.0	NPT 4"	200	71.0	88.7	132	42.8	123	BST-Exd-SSFT-N40089BR

防爆电缆固定头 (单密封带填料带绕线管) 安装作业指导书

Explosion-Proof Exd Cable Gland Installation Guide



在开始安装前, 请仔细阅读所有说明。
Please read all instructions carefully before installation.



1

Model	Length of Armored Layer	Model	Length of Armored Layer	Model	Length of Armored Layer	Model	Length of Armored Layer
M1608	19mm	M2520BR	20mm	M5044	27mm	M7568	27mm
M2008	16mm	M3227BR	21mm	M6350	28mm	M8073	34mm
M2012	16mm	M4033BR	21mm	M6355	28mm	M9080	34mm
M2014	16mm	M5038BR	24mm	M7562	27mm	M10089	60mm

剥掉电缆外护套露出内部电缆芯轴 (外护套长度=端子离箱体外侧长度+上表剥线长度), 将电缆芯轴的绝缘层清理干净。如果电缆芯上有耐油绵纸, 也应该被拆成一根根单一的芯轴, 使用绝缘胶带将芯轴末端捆扎在一起。
Strip off the outer sheath of cable to expose the inner cable cores. (Outer cutting sheath Length = Distance from the terminal to the outer plate of box + Length of naked wire indicated in the table below) And then clean the insulation layer of cable cores. If there's oil resistance cotton paper wrapped around cable cores, it should be disassembled into single one, bundle cable cores bottom with insulated tapes finally.

2

确保垫片①安装到位, 将主体②拧入螺纹孔(如果箱体未加工螺纹请使用六角螺母固定), 使用扭力扳手⑦将主体②拧紧至安装扭力。
Guarantee that the gasket① is installed in place. Screw the body② into the thread hole. (If there is no thread in the holes, please use lock nuts to fix cable glands.) Tighten the body② by the torque spanner⑦ to the standard installation torque.

3

将电缆末端依次穿过迫紧螺帽⑤和填料筒③, 直至外护套超过防水圈④, 拆除芯轴末端的绝缘胶带, 将其垂直固定在装置上。
Pass the end of cable through sealing nut⑤ and filling cylinder③ in turn, until outer insulation layer exceeds seal④, strip off insulating tape at the bottom of cable cores, fix it in cylinder vertically.

4

接上混合喷嘴 (小型多芯电缆使用延长喷嘴), 将树脂注入填料筒中③, 确保树脂一直填满到填料筒的底部, 擦去溢出的树脂, 等待树脂从液体初步凝固。0℃环境下需要30分钟 / 10℃环境下需要15分钟 / 20℃环境下需要7分钟 / 30℃环境下需要5分钟。如果混合管内有树脂残留, 丢弃搅拌喷嘴, 将混合管盖子重新盖上以便下次使用。
Connect mixing nozzle (extension nozzle for small multi-core cable), inject resin into the filling cylinder③, to ensure that the resin is fully filled to the bottom of the filling cylinder, wipe off the overflow resin, wait for the resin to solidify completely. Wait 30 minutes at 0℃ / Wait 15 minutes at 10℃ / Wait 7 minutes at 20℃ / Wait 5 minutes at 30℃. If there is resin left in mixing pipe, discard mixing nozzle and cover mixing pipe again for next use.

5

将填料筒③塞进主体②, 旋紧迫紧螺帽⑤。
Insert the filling cylinder③ into the body②, tighten the sealing nut⑤.

6

使用扭力扳手⑦拧紧迫紧螺帽⑤至标准安装扭力, 使密封件夹紧电缆达到密封和紧固效果。
Tighten the sealing nut⑤ by the spanner⑦ to the standard installation torque, make seal clamp the cable tightly to achieve good sealing and fastening effect.

7

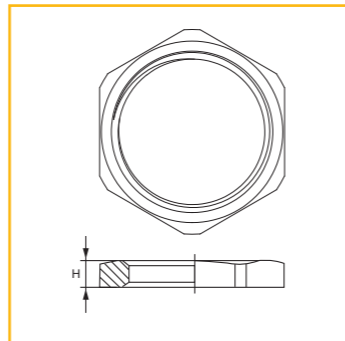
固定迫紧螺帽⑤的活动部位, 将绕线管⑥拧紧至迫紧螺帽⑤上。
Fix the movable part of the sealing nut⑤, tighten the flexible tube set⑥ to the sealing nut⑤.

金属六角螺母
Metal LockNuts



→ M

材料 Material: 黄铜镀镍 Nickel-plated brass
工作温度 Working temperature: -60°C to 200°C



订货数据 Ordering data

规格 Specs ØD1	H mm	 mm	订货号 Order no
M16 x 1.5	2.8	19	M16BR-LN
M20 x 1.5	3	23	M20BR-LN
M25 x 1.5	3.5	29	M25BR-LN
M32 x 1.5	4	36	M32BR-LN
M40 x 1.5	4.5	45	M40BR-LN
M50 x 1.5	5.5	55	M50BR-LN
M63 x 1.5	6	70	M63BR-LN
M75 x 1.5	8	80	M75BR-LN
M80 x 1.5	8	95	M80BR-LN
M90 x 1.5	9	95	M90BR-LN
M100 x 1.5	11	123	M100BR-LN

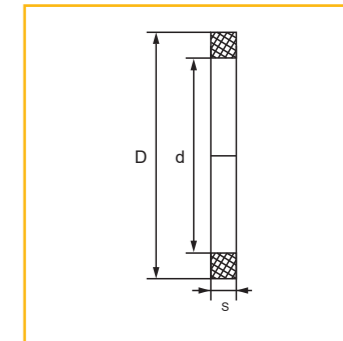


PTFE垫片
PTFE Gasket



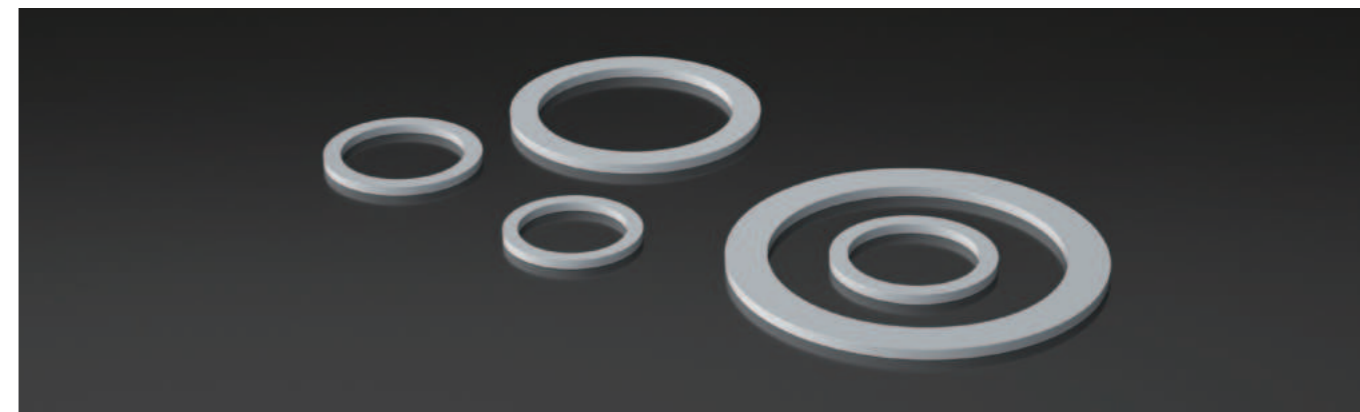
→ M/NPT

材料 Material: 高稳定性尼龙材料 High stability nylon material
工作温度 Working temperature: -180°C to 260°C
颜色种类 Color: 白色 White



订货数据 Ordering data

规格 Specs ØD1	d mm	D mm	s mm	订货号 Order no
M16 x 1.5	15.4	23	2	M16PT-W
M20 x 1.5	19.4	24	2	M20SPT-W
M20 x 1.5	19.4	26.5	2	M20BPT-W
M25 x 1.5	24.4	35	2	M25PT-W
M32 x 1.5	31.4	42	2	M32PT-W
M40 x 1.5	39.4	49	2	M40PT-W
M50 x 1.5	49.4	54	2	M50SPT-W
M50 x 1.5	49.4	59	2	M50BPT-W
M63 x 1.5	62.4	74	2	M63PT-W
M75 x 1.5	74.4	89	2	M75PT-W
M80 x 2.0	79.4	95	2	M80PT-W
M90 x 2.0	89.4	107	2	M90PT-W
M100 x 2.0	99.4	122	2	M100PT-W
NPT 1/2"	20.7	24	2	N12SPT-W
NPT 1/2"	20.7	27	2	N12BPT-W
NPT 3/4"	26.1	27	2	N34SPT-W
NPT 3/4"	26.1	36	2	N34BPT-W
NPT 1"	32.8	36	2	N100SPT-W
NPT 1"	32.8	43	2	N100BPT-W
NPT 1 1/4"	41.6	43	2	N114SPT-W
NPT 1 1/4"	41.6	50	2	N114BPT-W
NPT 1 1/2"	47.7	50	2	N112PT-W
NPT 2"	59.7	70	2	N200PT-W
NPT 2 1/2"	72.4	80	2	N212PT-W
NPT 3"	88.3	96	2	N300PT-W
NPT 3 1/2"	101	108	2	N312SPT-W
NPT 3 1/2"	101	123	2	N312BPT-W
NPT 4"	113.1	123	2	N400PT-W



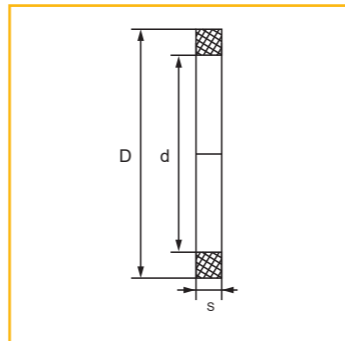
硅胶垫片 Silicone Rubber Gasket



→ M/PG/NPT

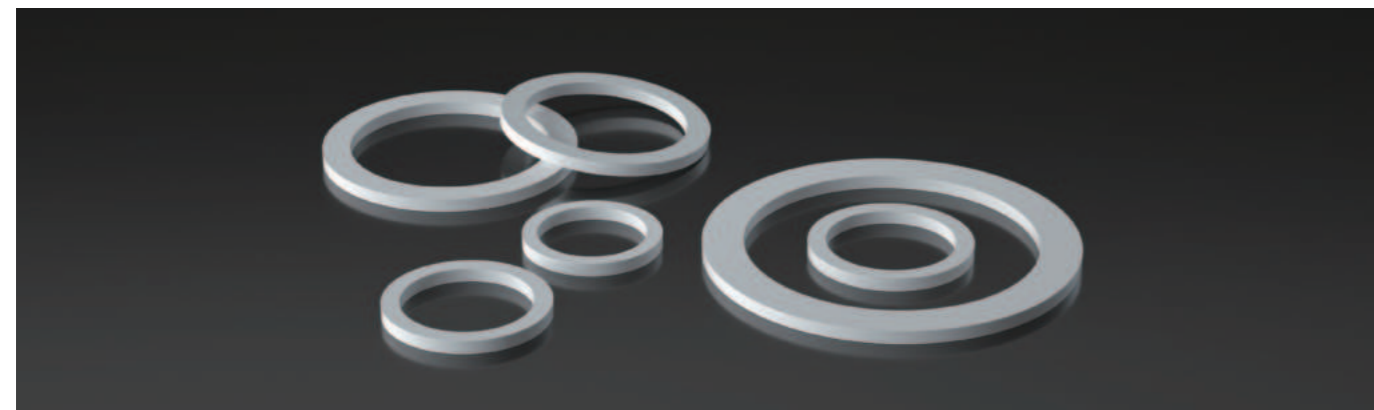


材料 Material: 硅橡胶 Silicone rubber
 工作温度 Working temperature: -60°C to 130°C
 颜色种类 Color: 白色 White



订货数据 Ordering data

规格 Specs ØD1	d mm	D mm	s mm	订货号 Order no
M12 x 1.5	10.2	15	1.8	M12SI-W
M16 x 1.5	14	22	1.8	M16SI-W
M20 x 1.5	18	24	1.8	M20SI-W
M25 x 1.5	23	33	1.8	M25SI-W
M32 x 1.5	30	42	1.8	M32SI-W
M40 x 1.5	38	53	1.8	M40SI-W
M50 x 1.5	48	60	1.8	M50SI-W
M63 x 1.5	61	68	1.8	M63SI-W
M75 x 1.5	71.8	82	2.5	M75SI-W
<hr/>				
PG7	11.1	15	1.8	P07SI-W
PG9	14	22	1.8	P09SI-W
PG11	16.8	22	1.8	P11SI-W
PG13.5	19	24	1.7	P13SI-W
PG16	21	27	1.8	P16SI-W
PG21	26.6	33	1.8	P21SI-W
PG29	35.3	42	1.8	P29SI-W
PG36	44.8	53	1.8	P36SI-W
PG42	51.8	60	1.8	P42SI-W
PG48	57	65	1.8	P48SI-W
<hr/>				
NPT 3/8"	14	22	1.8	N38SI-W
NPT 1/2"	18	24	1.8	N12SI-W
NPT 3/4"	23	33	1.8	N34SI-W
NPT 1"	30	42	1.8	N100SI-W
NPT 1 1/4"	38	53	1.8	N114SI-W
NPT 1 1/2"	44.8	53	1.8	N112SI-W



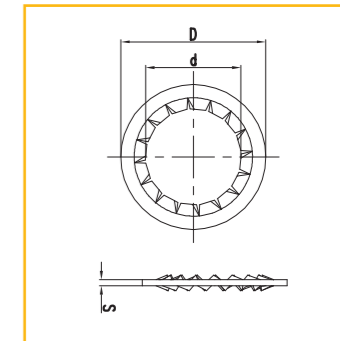
防震垫片 Anti-vibration Gasket



→ M/NPT

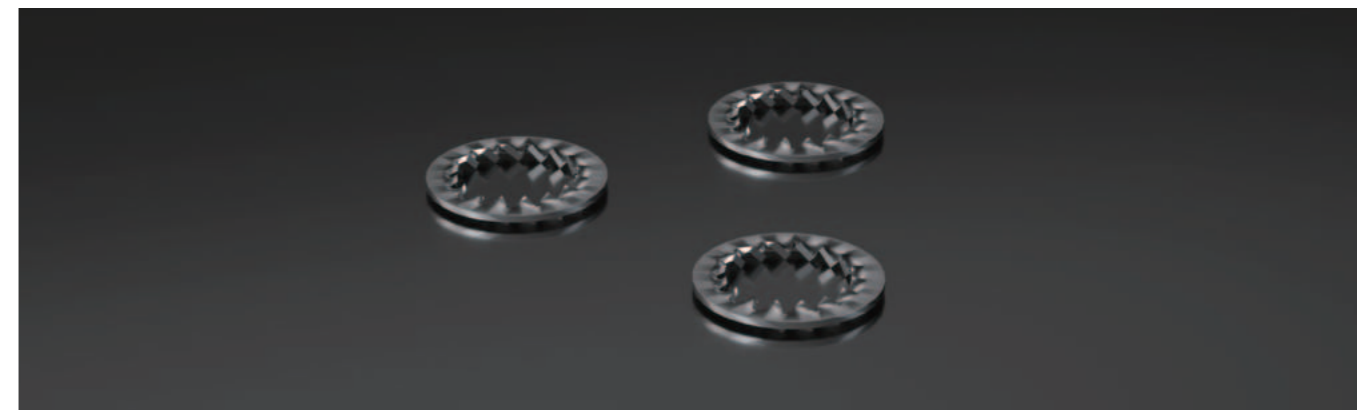


材料 Material: 不锈钢 Stainless steel
 工作温度 Working temperature: -70°C to 200°C



订货数据 Ordering data

规格 Specs ØD1	d mm	D mm	s mm	订货号 Order no
M16 x 1.5	16	24	1.2	M16SS-SW
M20 x 1.5	20	30	1.5	M20SS-SW
M25 x 1.5	25	36	1.5	M25SS-SW
M32 x 1.5	32	43	1.5	M32SS-SW
M40 x 1.5	40	50	1.5	M40SS-SW
M50 x 1.5	50	60	1.5	M50SS-SW
M63 x 1.5	63	75	1.5	M63SS-SW
M75 x 1.5	75	90	1.5	M75SS-SW
M80 x 2.0	80	96	1.5	M80SS-SW
M90 x 2.0	90	108	1.5	M90SS-SW
M100 x 2.0	100	123	1.5	M100SS-SW
<hr/>				
NPT 1/2"	22	30	1.5	N12SS-SW
NPT 3/4"	27	36	1.5	N34SS-SW
NPT 1"	33	43	1.5	N100SS-SW
NPT 1 1/4"	43	55	1.5	N114SS-SW
NPT 1 1/2"	49	60	1.5	N112SS-SW
NPT 2"	61	75	1.5	N200SS-SW
NPT 2 1/2"	74	90	1.5	N212SS-SW
NPT 3"	89	100	1.5	N300SS-SW
NPT 3 1/2"	102	123	1.5	N312SS-SW
NPT 4"	114	130	1.5	N400SS-SW

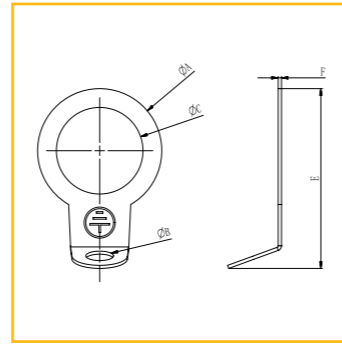


接地片
Earth tags



→ M/NPT

材料 Material: 黄铜 Brass
 工作温度 Working temperature: -70°C to 150°C
 可选材料 Material Options: 黄铜、不锈钢 Brass, stainless steel



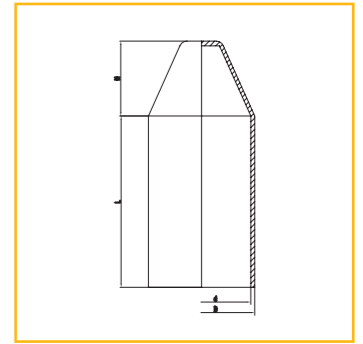
订货数据 Ordering data

规格 Specs ØD1	Inner hole A	Thread hole B	Outer diameter C	Length E	Thickness F	订货号 Order no
M16 x 1.5	16	6.5	25	50.3	1	M16BR-ET
M20 x 1.5	20	6.5	27	52.3	1	M20BR-ET
M25 x 1.5	25	6.5	35	59.2	1	M25BR-ET
M32 x 1.5	32	12.5	45	77	1.2	M32BR-ET
M40 x 1.5	40	12.5	54	88.6	1.2	M40BR-ET
M50 x 1.5	50	12.5	65	111.3	1.2	M50BR-ET
M63 x 1.5	63	12.5	83	128.8	1.2	M63BR-ET
M75 x 1.5	75	12.5	96	141.5	1.2	M75BR-ET
M80 x 2.0	80	12.5	102	150	1.2	M80BR-ET
M90 x 2.0	90	12.5	114	161	1.2	M90BR-ET
M100 x 2.0	100	12.5	125	194.8	1.2	M100BR-ET
<hr/>						
NPT 1/2"	22	6.5	27	52.8	1	N12BR-ET
NPT 3/4"	27	6.5	35	59.2	1	N34BR-ET
NPT 1"	33	6.5	45	77	1	N100BR-ET
NPT 1 1/4"	43	12.5	54	88.6	1.2	N114BR-ET
NPT 1 1/2"	49	12.5	65	111.3	1.2	N112BR-ET
NPT 2"	61	12.5	83	128.8	1.2	N200BR-ET
NPT 2 1/2"	74	12.5	96	141.5	1.2	N212BR-ET
NPT 3"	89	12.5	114	161	1.2	N300BR-ET
NPT 3 1/2"	102	12.5	125	194.8	1.2	N312BR-ET
NPT 4"	114	12.5	140	207	1.2	N400BR-ET

护套
Sheath

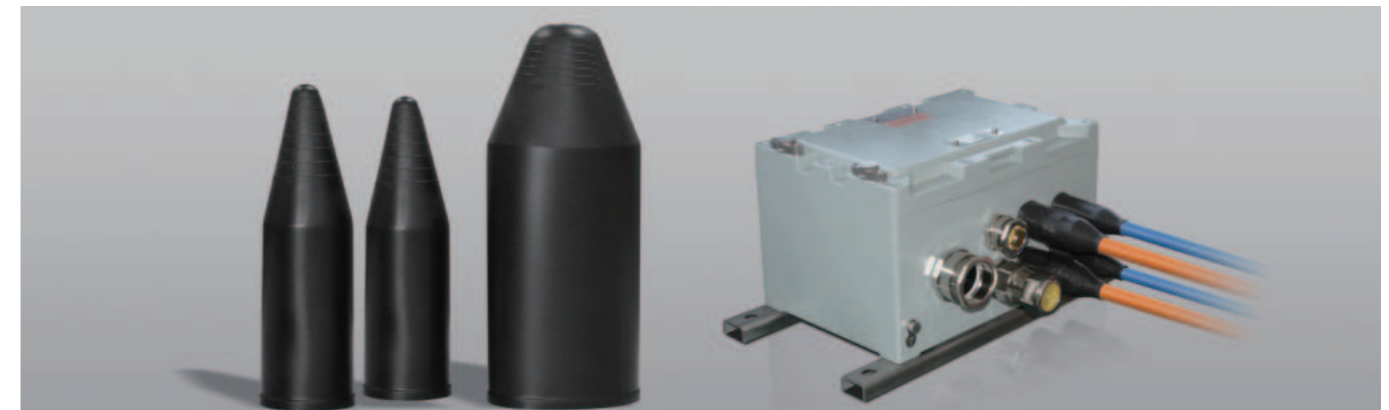


材料 Material: PVC
 工作温度 Working temperature: -60°C to 90°C
 可选材料 Material Options: EPDM, Flame retardant EPDM



订货数据 Ordering data

规格 Specs ØD1	Inner hole d	Outer diameter D	Straight height L	Conical height H	订货号 Order no
φ29.5	29.5	33.5	69	38	φ29.5PVC-PB
φ32.5	32.5	36.5	68	45	φ32.5PVC-PB
φ41.5	41.5	45.5	84	45	φ41.5PVC-PB
φ50.0	50	54	87	38	φ50.0PVC-PB
φ59.5	59.5	63.5	90	38	φ59.5PVC-PB
φ69.5	69.5	73.5	100	42	φ69.5PVC-PB
φ87.5	87.5	91.5	103	42	φ87.5PVC-PαB
φ103.5	103.5	107.5	105	42	φ103.5PVC-PB
φ113.5	113.5	117.5	123	50	φ113.5PVC-PB
φ123.5	123.5	127.5	124	59	φ123.5PVC-PB
φ139.2	139.2	143.2	140	60	φ139.2PVC-PB



防爆附件

Explosion-Proof Exe Cable Gland



防爆附件选型指南 Ex-proof Accessories Selection-guide

产品名称 Item	产品系列 Series	材质 Material	认证类别 Certifications	防爆标志 Ex-Mark	防护等级 IP-Grade	工作温度 Working temperature range	螺纹规格 Thread Type	图片 Pictures
防爆堵塞件 Ex-proof Exe Plug	MSP系列 Series	黄铜镀镍 Nickel-plated Brass	IECEX ATEX CCC 防爆合格证 Qualification	Ex eb II C Gb Ex tb III C Db Ⓜ II 2G Ex eb II C Gb Ⓜ II 2D Ex tb III C Db	IP66 IP68 1.5m 30min	-30℃~+80℃	M12-M63 PG7-PG48	
	HSP系列 Series	黄铜镀镍 Nickel-plated Brass	IECEX ATEX CCC 防爆合格证 Qualification	Ex eb II C Gb Ex tb III C Db Ⓜ II 2G Ex eb II C Gb Ⓜ II 2D Ex tb III C Db	IP66 IP68 1.5m 30min	-30℃~+80℃	M12-M63 PG7-PG48	
	NSP系列 Series	尼龙 Nylon	IECEX ATEX CCC 防爆合格证 Qualification	Ex eb II C Gb Ex tb III C Db Ⓜ II 2G Ex eb II C Gb Ⓜ II 2D Ex tb III C Db	IP66 IP68 1.5m 30min	-20℃~+80℃	M12-M63 PG7-PG48	
防爆变径环 Ex-proof Exe Reducer	MTR系列 Series	黄铜镀镍 Nickel-plated Brass	IECEX ATEX 防爆合格证 Qualification	Ex eb II C Gb Ex tb III C Db Ⓜ II 2G Ex eb II C Gb Ⓜ II 2D Ex tb III C Db	IP66 IP68 1.5m 30min	-30℃~+80℃	M12-M63 PG7-PG48	
	MTE系列 Series	黄铜镀镍 Nickel-plated Brass	IECEX ATEX 防爆合格证 Qualification	Ex eb II C Gb Ex tb III C Db Ⓜ II 2G Ex eb II C Gb Ⓜ II 2D Ex tb III C Db	IP66 IP68 1.5m 30min	-30℃~+80℃	M12-M63 PG7-PG48	
	MTA系列 Series	黄铜镀镍 Nickel-plated Brass	IECEX ATEX 防爆合格证 Qualification	Ex eb II C Gb Ex tb III C Db Ⓜ II 2G Ex eb II C Gb Ⓜ II 2D Ex tb III C Db	IP66 IP68 1.5m 30min	-30℃~+80℃	M16-M32、 PG9-PG29、 NPT1/2"-NPT 1 1/4"	
隔爆堵塞件 Ex-proof Exd plug	HSP系列 Series	黄铜镀镍 Hpb59-1 不锈钢 304 316 316L 碳钢 Q235	CCC 防爆合格证 Qualification	Ex db II C Gb Ex eb II C Gb Ex tb III C Db	IP66 IP68 1.5m 30min	-60℃~+120℃	M16-M63 NPT1/2"-NPT2"	
防爆呼吸阀 Explosion-proof breather valve	BST80/10E 系列 Series	黄铜镀镍 Hpb59-1 不锈钢 304 316 316L 碳钢 Q235	防爆合格证 Qualification	Ex db II C Gb Ex eb II C Gb Ex tb III C Db	IP66	-60℃~+135℃	M12x1.5、M20x1.5 NPT 1/2"、G 1/2" PG 13.5	
	BST80/10D 系列 Series	黄铜镀镍 Hpb59-1 不锈钢 304 316 316L 碳钢 Q235	防爆合格证 Qualification	Ex db II C Gb Ex eb II C Gb Ex tb III C Db	IP66	-60℃~+135℃	M25x1.5、NPT 3/4"	

型号含义 Model Meaning



→ BST-Exe/Exd系列 Series IEC ATEX CCC RoHS REACH

□SP-	□	□	□
材质 Nylon cable glands N: 尼龙材质 Exe M/H: 金属材料 Exe	螺纹规格 Thread specification M12: M12×1.5 M16: M16×1.5 P07: PG 7 P09: PG 9	螺纹长度 Thread Length 05: GL 5 06: GL 6 07: GL 7 09: GL 9	B: 黑色尼龙 Blue Nylon BR: 黄铜镀镍 Nickel-Plated Brass 无字母 No letter: 常规型 Standard Type
举例 For Example: NSP-M1209			

BST-80/10 □ □

E: 增安型 D: 隔爆型	螺纹规格 Thread specification M12: M12×1.5 M20: M20×1.5 P13: PG13.5 N12: NPT1/2"	材质 Nylon cable glands B: 黄铜H6p59-1 S: 304 Bk: 黄铜H62 S: 316 S: 316L
举例 For Example: BST-80/10E-M12BR		

MT □ □

材质 Nylon cable glands R: 缩径 E: 扩径 A: 变径	螺纹规格 Thread specification M12: M12×1.5 M16: M16×1.5 M20: M20×1.5 M25: M25×1.5
举例 For Example: MTR-M16×1.5	

防爆堵塞件(圆形) Ex Round Metal Screw Plugs



→ MSP系列 Series IEC ATEX CCC RoHS REACH

适用范围 Application Scope: 适用于气体1、2区; 粉尘21、22区
Suitable for gas zones 1 and 2; dust zones 21, and 22

防护等级 Protection Rating: IP66/68(1.5m/30min)
工作温度 Operating Temperature Range: -30℃~+80℃
环境温度 Environmental Temperature Range: -30℃~+80℃

材质 Material: 黄铜镀镍 Nickel-Plated Brass
O型圈 O-Ring: 硅橡胶 Silicone Rubber

认证数据 Authentication Certificate

认证类别 Certificate Type	防护类别代码 Ex-Mark	认证类别 Certificate Type	防护类别代码 Ex-Mark
IECEx证书 IECEx Certificate	Ex eb IIC Gb Ex tb IIIC Db	ATEX证书 ATEX Certificate	⊕ II 2 G Ex eb IIC Gb ⊕ II 2 D Ex tb IIIC Db
CCC证书 CCC Certificate	Ex eb IIC Gb Ex tb IIIC Db	防爆合格证 Certificate	Ex eb IIC Gb Ex tb IIIC Db

技术数据 Technical data

螺纹规格 Thread Size	M12-M63、PG7-PG48
材质 Material	黄铜镀镍 Nickel-Plated Brass
阻燃等级 Material	V2(UL94)

订货数据 Ordering data

规格 Specs ØD1	GL mm	H mm	W mm	订货号 Order no
MSP-M12 x 1.5	5	8	14	Ex-SPM1205BR
MSP-M16 x 1.5	6	9	18	Ex-SPM1606BR
MSP-M20 x 1.5	7	10	23	Ex-SPM2007BR
MSP-M25 x 1.5	7	10	28	Ex-SPM2507BR
MSP-M32 x 1.5	8	12	35	Ex-SPM3208BR
MSP-M40 x 1.5	9	15	44	Ex-SPM4009BR
MSP-M50 x 1.5	9	16	54	Ex-SPM5009BR
MSP-M63 x 1.5	10	16	67	Ex-SPM6310BR
MSP-PG 7	5	8	14	Ex-SPP0705BR
MSP-PG 9	6	9	17	Ex-SPP0906BR
MSP-PG 11	6	9	21	Ex-SPP1106BR
MSP-PG 13.5	7	10	23	Ex-SPP1307BR
MSP-PG 16	6.5	10	25	Ex-SPP1607BR
MSP-PG 21	7	11	30	Ex-SPP2107BR
MSP-PG 29	8	12	39	Ex-SPP2908BR
MSP-PG 36	9	15	50	Ex-SPP3609BR
MSP-PG 42	10	16	57	Ex-SPP4210BR
MSP-PG 48	10	16	64	Ex-SPP4810BR

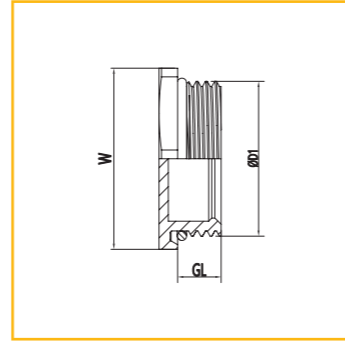
防爆堵塞件(六角形)
Ex Hexagon Metal Screw Plugs



→ HSP系列 Series



适用范围 Application Scope: 适用于气体1、2区; 粉尘21、22区
Suitable for gas zones 1 and 2; dust zones 21, and 22
防护等级 Protection Rating: IP66/68(1.5m/30min)
工作温度 Operating Temperature Range: -30°C~+80°C
环境温度 Environmental Temperature Range: -30°C~+80°C
材质 Material: 黄铜镀镍 Nickel-Plated Brass
O型圈 O-Ring: 硅橡胶 Silicone Rubber



认证数据 Authentication Certificate			
认证类别 Certificate Type	防护类别代码 Ex-Mark	认证类别 Certificate Type	防护类别代码 Ex-Mark
IECE证书 IECE Certificate	Ex eb IIC Gb Ex tb IIIC Db	ATEX证书 ATEX Certificate	⊕ II 2 G Ex eb IIC Gb ⊕ II 2 D Ex tb IIIC Db
CCC证书 CCC Certificate	Ex eb IIC Gb Ex tb IIIC Db	防爆合格证 Certificate	Ex eb IIC Gb Ex tb IIIC Db

技术数据 Technical data	
螺纹规格 Thread Size	M12-M63、PG7-PG48
材质 Material	黄铜镀镍 Nickel-Plated Brass
阻燃等级 Material	V2(UL94)

订货数据 Ordering data

规格 Specs ∅D1	GL mm	H mm	mm	订货号 Order no
HSP-M12 x 1.5	5	8	14	Ex-HSPM1205BR
HSP-M16 x 1.5	6	9	18	Ex-HSPM1606BR
HSP-M18 x 1.5	6	9	20	Ex-HSPM1806BR
HSP-M20 x 1.5	7	10	22	Ex-HSPM2007BR
HSP-M22 x 1.5	7	10	25	Ex-HSPM2207BR
HSP-M25 x 1.5	7	10	29	Ex-HSPM2507BR
HSP-M27 x 1.5	8	11	30	Ex-HSPM2708BR
HSP-M32 x 1.5	8	11	36	Ex-HSPM3208BR
HSP-M40 x 1.5	9	12	45	Ex-HSPM4009BR
HSP-M50 x 1.5	9	15	55	Ex-HSPM5009BR
HSP-M63 x 1.5	10	16	70	Ex-HSPM6310BR
<hr/>				
HSP-PG 7	5	8	14	Ex-HSPP0705BR
HSP-PG 9	6	9	17	Ex-HSPP0906BR
HSP-PG 11	6	9	20	Ex-HSPP1106BR
HSP-PG 13.5	7	10	22	Ex-HSPP1307BR
HSP-PG 16	7	10	24	Ex-HSPP1607BR
HSP-PG 21	7	11	30	Ex-HSPP2107BR
HSP-PG 29	8	12	40	Ex-HSPP2908BR
HSP-PG 36	9	15	50	Ex-HSPP3609BR
HSP-PG 42	10	16	60	Ex-HSPP4210BR
HSP-PG 48	10	16	64	Ex-HSPP4810BR

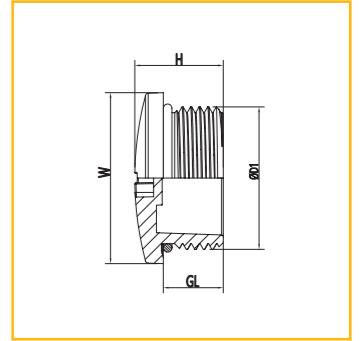
防爆堵塞件(圆形)
Ex Nylon Screw Plugs



→ NSP系列 Series



适用范围 Application Scope: 适用于气体1、2区; 粉尘21、22区
Suitable for gas zones 1 and 2; dust zones 21, and 22
防护等级 Protection Rating: IP66/68(1.5m/30min)
工作温度 Operating Temperature Range: -20°C~+80°C
环境温度 Environmental Temperature Range: -20°C~+80°C
材质 Material: 尼龙 Nylon
O型圈 O-Ring: 硅橡胶 Silicone Rubber



认证数据 Authentication Certificate			
认证类别 Certificate Type	防护类别代码 Ex-Mark	认证类别 Certificate Type	防护类别代码 Ex-Mark
IECE证书 IECE Certificate	Ex eb IIC Gb Ex tb IIIC Db	ATEX证书 ATEX Certificate	⊕ II 2 G Ex eb IIC Gb ⊕ II 2 D Ex tb IIIC Db
CCC证书 CCC Certificate	Ex eb IIC Gb Ex tb IIIC Db	防爆合格证 Certificate	Ex eb IIC Gb Ex tb IIIC Db

技术数据 Technical data	
螺纹规格 Thread Size	M12-M63、PG7-PG48
材质 Material	尼龙 Nickel-plated brass
阻燃等级 Material	V2(UL94)
颜色 Material	黑色、灰色 Nickel-plated brass

订货数据 Ordering data

规格 Specs D1	GL mm	H mm	W mm	订货号 Order no RAL7035	订货号 Order no RAL9005
NSP-M12 x 1.5	8.5	12.5	15	Ex-SPM1209	Ex-SPM1209B
NSP-M16 x 1.5	8.5	13	19	Ex-SPM1609	Ex-SPM1609B
NSP-M20 x 1.5	9	13	25	Ex-SPM2009	Ex-SPM2009B
NSP-M25 x 1.5	10.5	15.5	30	Ex-SPM2511	Ex-SPM2511B
NSP-M32 x 1.5	10.5	16	38	Ex-SPM3211	Ex-SPM3211B
NSP-M40 x 1.5	11.5	16	46	Ex-SPM4012	Ex-SPM4012B
NSP-M50 x 1.5	13.5	18	56	Ex-SPM5014	Ex-SPM5014B
NSP-M63 x 1.5	14	19	68	Ex-SPM6314	Ex-SPM6314B
<hr/>					
NSP-PG 7	8.5	12.5	15	Ex-SPP0709	Ex-SPP0709B
NSP-PG 9	8.5	13	19	Ex-SPP0909	Ex-SPP0909B
NSP-PG 11	9	13	22	Ex-SPP1109	Ex-SPP1109B
NSP-PG 13.5	9	13	25	Ex-SPP1309	Ex-SPP1309B
NSP-PG 16	10.5	15	27	Ex-SPP1611	Ex-SPP1611B
NSP-PG 21	10.5	15.5	33	Ex-SPP2111	Ex-SPP2111B
NSP-PG 29	11.5	16	44	Ex-SPP2912	Ex-SPP2912B
NSP-PG 36	13.5	18	55	Ex-SPP3614	Ex-SPP3614B
NSP-PG 42	13.5	18.5	62	Ex-SPP4214	Ex-SPP4214B
NSP-PG 48	14.5	19.5	68	Ex-SPP4815	Ex-SPP4815B

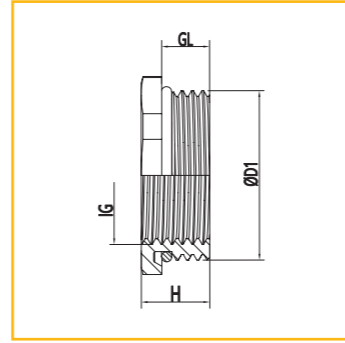
防爆变径环(缩径)
Ex Metal Reducer



→ MTR系列 Series



适用范围 Application Scope: 适用于气体1、2区; 粉尘21、22区
Suitable for gas zones 1 and 2; dust zones 21, and 22
防护等级 Protection Rating: IP66/68(1.5m/30min)
工作温度 Operating Temperature Range: -30°C~+80°C
环境温度 Environmental Temperature Range: -30°C~+80°C
材质 Material: 黄铜镀镍 Nickel-Plated Brass
O型圈 O-Ring: 硅橡胶 Silicone Rubber



认证数据 Authentication Certificate

认证类别 Certificate Type	防护类别代码 Ex-Mark	认证类别 Certificate Type	防护类别代码 Ex-Mark
IECE证书 IECEx Certificate	Ex eb IIC Gb Ex tb IIIC Db	ATEX证书 ATEX Certificate	Ⓜ II 2 G Ex eb IIC Gb Ⓜ II 2 D Ex tb IIIC Db

技术数据 Technical data

螺纹规格 Thread Size	M12-M63
材质 Material	黄铜镀镍 Nickel-Plated Brass
阻燃等级 Material	V2(UL94)

订货数据 Ordering data

规格 Specs ØD1	IG mm	GL mm	H mm	mm	订货号 Order no
MTR-M16 x 1.5	M12 x 1.5	5	8	17	Ex-M1612BRR
MTR-M20 x 1.5	M12 x 1.5	6	9	22	Ex-M2012BRR
MTR-M20 x 1.5	M16 x 1.5	6	9	22	Ex-M2016BRR
MTR-M25 x 1.5	M16 x 1.5	7	10	27	Ex-M2516BRR
MTR-M25 x 1.5	M20 x 1.5	7	10	27	Ex-M2520BRR
MTR-M32 x 1.5	M16 x 1.5	8	11	34	Ex-M3216BRR
MTR-M32 x 1.5	M20 x 1.5	8	11	34	Ex-M3220BRR
MTR-M32 x 1.5	M25 x 1.5	8	11	34	Ex-M3225BRR
MTR-M40 x 1.5	M20 x 1.5	8	12	43	Ex-M4020BRR
MTR-M40 x 1.5	M25 x 1.5	8	12	43	Ex-M4025BRR
MTR-M40 x 1.5	M32 x 1.5	8	12	43	Ex-M4032BRR
MTR-M50 x 1.5	M25 x 1.5	9	13	55	Ex-M5025BRR
MTR-M50 x 1.5	M32 x 1.5	9	13	55	Ex-M5032BRR
MTR-M50 x 1.5	M40 x 1.5	9	13	55	Ex-M5040BRR
MTR-M63 x 1.5	M32 x 1.5	10	14	65	Ex-M6332BRR
MTR-M63 x 1.5	M40 x 1.5	10	14	65	Ex-M6340BRR
MTR-M63 x 1.5	M50 x 1.5	10	14	65	Ex-M6350BRR

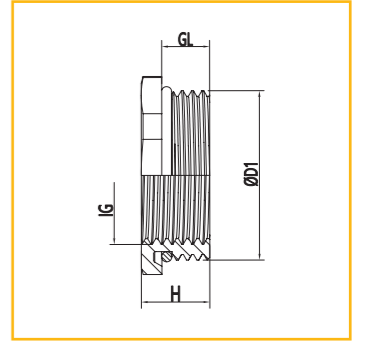
防爆变径环(缩径)
Ex Metal Reducer



→ MTR系列 Series



适用范围 Application Scope: 适用于气体1、2区; 粉尘21、22区
Suitable for gas zones 1 and 2; dust zones 21, and 22
防护等级 Protection Rating: IP66/68(1.5m/30min)
工作温度 Operating Temperature Range: -30°C~+80°C
环境温度 Environmental Temperature Range: -30°C~+80°C
材质 Material: 黄铜镀镍 Nickel-Plated Brass
O型圈 O-Ring: 硅橡胶 Silicone Rubber



认证数据 Authentication Certificate

认证类别 Certificate Type	防护类别代码 Ex-Mark	认证类别 Certificate Type	防护类别代码 Ex-Mark
IECE证书 IECEx Certificate	Ex eb IIC Gb Ex tb IIIC Db	ATEX证书 ATEX Certificate	Ⓜ II 2 G Ex eb IIC Gb Ⓜ II 2 D Ex tb IIIC Db

技术数据 Technical data

螺纹规格 Thread Size	PG9-PG48
材质 Material	黄铜镀镍 Nickel-Plated Brass
阻燃等级 Material	V2(UL94)

订货数据 Ordering data

规格 Specs ØD1	IG mm	GL mm	H mm	mm	订货号 Order no
MTR-PG 9	PG 7	6	8.8	17	Ex-P0907BRR
MTR-PG 11	PG 7	6	9	20	Ex-P1107BRR
MTR-PG 11	PG 9	6	9	20	Ex-P1109BRR
MTR-PG 13.5	PG 9	6.5	9.5	22	Ex-P13509BRR
MTR-PG 13.5	PG 11	6.5	9.5	22	Ex-P13511BRR
MTR-PG 16	PG 9	6.5	9.5	24	Ex-P1609BRR
MTR-PG 16	PG 11	6.5	9.5	24	Ex-P1611BRR
MTR-PG 16	PG 13.5	6.5	9.5	24	Ex-P16135BRR
MTR-PG 21	PG 11	7	10.3	30	Ex-P2111BRR
MTR-PG 21	PG 13.5	7	10.3	30	Ex-P21135BRR
MTR-PG 21	PG 16	7	10.3	30	Ex-P2116BRR
MTR-PG 29	PG 16	7	11.5	40	Ex-P2916BRR
MTR-PG 29	PG 21	7	11.5	40	Ex-P2921BRR
MTR-PG 36	PG 21	8	12.5	50	Ex-P3621BRR
MTR-PG 36	PG 29	8	12.5	50	Ex-P3629BRR
MTR-PG 42	PG 29	10	13.5	57	Ex-P4229BRR
MTR-PG 42	PG 36	10	13.5	57	Ex-P4236BRR
MTR-PG 48	PG 36	10	13.5	64	Ex-P4836BRR
MTR-PG 48	PG 42	10	13.5	64	Ex-P4842BRR

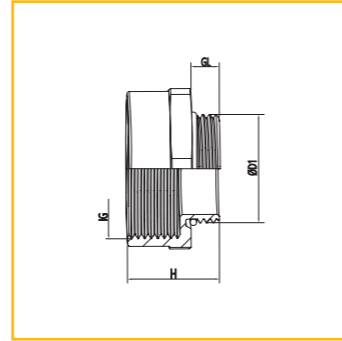
防爆变径环(扩径)
Ex Metal Enlarger



→ MTE系列 Series



适用范围 Application Scope: 适用于气体1、2区; 粉尘21、22区
Suitable for gas zones 1 and 2; dust zones 21, and 22
防护等级 Protection Rating: IP66/68(1.5m/30min)
工作温度 Operating Temperature Range: -30°C~+80°C
环境温度 Environmental Temperature Range: -30°C~+80°C
材质 Material: 黄铜镀镍 Nickel-Plated Brass
O型圈 O-Ring: 硅橡胶 Silicone Rubber



认证数据 Authentication Certificate

认证类别 Certificate Type	防护类别代码 Ex-Mark	认证类别 Certificate Type	防护类别代码 Ex-Mark
IECE证书 IECEx Certificate	Ex eb IIC Gb Ex tb IIIC Db	ATEX证书 ATEX Certificate	Ⓜ II 2 G Ex eb IIC Gb Ⓜ II 2 D Ex tb IIIC Db

技术数据 Technical data

螺纹规格 Thread Size	M12-M63、PG7-PG48
材质 Material	黄铜镀镍 Nickel-Plated Brass
阻燃等级 Material	V2(UL94)

订货数据 Ordering data

规格 Specs ØD1	IG mm	GL mm	H mm	ØD mm	订货号 Order no
MTE-M12 x 1.5	M16 x 1.5	5	15	18	Ex-M1216BRE
MTE-M16 x 1.5	M20 x 1.5	6	17.5	22	Ex-M1620BRE
MTE-M20 x 1.5	M25 x 1.5	6.5	19	27	Ex-M2025BRE
MTE-M25 x 1.5	M32 x 1.5	6.5	21	34	Ex-M2532BRE
MTE-M32 x 1.5	M40 x 1.5	7	23	42	Ex-M3240BRE
MTE-M40 x 1.5	M50 x 1.5	9	31	53	Ex-M4050BRE
MTE-M50 x 1.5	M63 x 1.5	9	31	66	Ex-M5063BRE
MTE-PG 7	PG 9	5	15	17	Ex-P0709BRE
MTE-PG 9	PG 11	6	16.5	20	Ex-P0911BRE
MTE-PG 9	PG 13.5	6	17.5	22	Ex-P09135BRE
MTE-PG 11	PG 13.5	6	17.5	22	Ex-P11135BRE
MTE-PG 11	PG 16	6	18.5	24	Ex-P1116BRE
MTE-PG 11	PG 21	6	20.5	30	Ex-P1121BRE
MTE-PG 13.5	PG 16	6.5	19	24	Ex-P13516BRE
MTE-PG 13.5	PG 21	6.5	21	30	Ex-P13521BRE
MTE-PG 16	PG 21	6.5	21	30	Ex-P1621BRE
MTE-PG 16	PG 29	6.5	22.5	39	Ex-P1629BRE
MTE-PG 21	PG 29	7	23	39	Ex-P2129BRE
MTE-PG 29	PG 36	8	27.5	50	Ex-P2936BRE
MTE-PG 36	PG 42	9	31	57	Ex-P3642BRE
MTE-PG 42	PG 48	10	33	64	Ex-P4248BRE

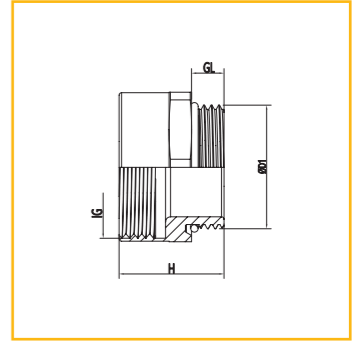
防爆变径环
Ex Metal Adapter



→ MTA系列 Series



适用范围 Application Scope: 适用于气体1、2区; 粉尘21、22区
Suitable for gas zones 1 and 2; dust zones 21, and 22
防护等级 Protection Rating: IP66/68(1.5m/30min)
工作温度 Operating Temperature Range: -30°C~+80°C
环境温度 Environmental Temperature Range: -30°C~+80°C
材质 Material: 黄铜镀镍 Nickel-Plated Brass
O型圈 O-Ring: 硅橡胶 Silicone Rubber



认证数据 Authentication Certificate

认证类别 Certificate Type	防护类别代码 Ex-Mark	认证类别 Certificate Type	防护类别代码 Ex-Mark
IECE证书 IECEx Certificate	Ex eb IIC Gb Ex tb IIIC Db	ATEX证书 ATEX Certificate	Ⓜ II 2 G Ex eb IIC Gb Ⓜ II 2 D Ex tb IIIC Db

技术数据 Technical data

螺纹规格 Thread Size	M16-M32、PG9-PG29、NPT1/2"-NPT 1 1/4"
材质 Material	黄铜镀镍 Nickel-Plated Brass
阻燃等级 Material	V2(UL94)

订货数据 Ordering data

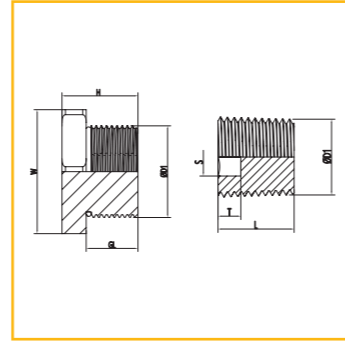
规格 Specs ØD1	IG mm	GL mm	H mm	ØD mm	订货号 Order no
MTA-M16 x 1.5	PG 9	6	10.5	20	Ex-M16P09BRA
MTA-M20 x 1.5	PG 11	6.5	12.5	22	Ex-M20P11BRA
MTA-M20 x 1.5	PG 13.5	6.5	12.5	22	Ex-M20P135BRA
MTA-M20 x 1.5	PG 16	6.5	12.5	24	Ex-M20P16BRA
MTA-M25 x 1.5	PG 16	6.5	12.5	28	Ex-M25P16BRA
MTA-M25 x 1.5	PG 21	6.5	14.5	30	Ex-M25P21BRA
MTA-M32 x 1.5	PG 29	7	16	40	Ex-M32P29BRA
MTA-M16 x 1.5	NPT 1/2"	6	17	24	Ex-M16N12BRA
MTA-M20 x 1.5	NPT 1/2"	6	17	24	Ex-M20N12BRA
MTA-M25 x 1.5	NPT 1/2"	7	18	30	Ex-M25N12BRA
MTA-M25 x 1.5	NPT 3/4"	7	19	30	Ex-M25N34BRA
MTA-M32 x 1.5	NPT 1"	8	25	40	Ex-M32N100BRA
MTA-M32 x 1.5	NPT 1 1/4"	8	25	46	Ex-M32N114BRA
MTA-PG 9	M16X1.5	6	10.5	20	Ex-P09M16BRA
MTA-PG 11	M20X1.5	6.5	12.5	22	Ex-P11M20BRA
MTA-PG 13.5	M20X1.5	6.5	12.5	22	Ex-P135M20BRA
MTA-PG 16	M25X1.5	6.5	14.5	27	Ex-P16M25BRA
MTA-PG 11	NPT 1/2"	6	16.7	24	Ex-P11N12BRA
MTA-PG 13.5	NPT 1/2"	6.5	17	24	Ex-P135N12BRA
MTA-PG 16	NPT 1/2"	6.5	16.5	24	Ex-P16N12BRA
MTA-PG 21	NPT 1/2"	7	18	30	Ex-P21N12BRA
MTA-PG 21	NPT 1"	7	18	30	Ex-P21N34BRA
MTA-PG 29	NPT 1 1/4"	8	20	40	Ex-P29N100BRA

隔爆堵塞件
Ex Hexagon Metal Screw Plugs



→ HSP系列 Series

适用范围 Application Scope: 适用于气体1、2区；粉尘20、21、22区
Suitable for gas zones 1 and 2; dust zones 21, and 22
防护等级 Protection Rating: IP66/68(1.5m/30min)
工作温度 Operating Temperature Range: -60°C~+135°C
环境温度 Environmental Temperature Range: -60°C~+55°C
材质 Material: 黄铜镀镍/ 不锈钢304、316、316L/ 碳钢Q235
O型圈 O-Ring: 硅橡胶 Silicone Rubber



认证数据 Authentication Certificate

认证类别 Certificate Type	防护类别代码 Ex-Mark	认证类别 Certificate Type	防护类别代码 Ex-Mark
CCC证书 CCC Certificate	Ex db II C Gb Ex eb II C Gb Ex tb III C Db	防爆合格证 Certificate	Ex db II C Gb Ex eb II C Gb Ex tb III C Db

技术数据 Technical data

螺纹规格 Thread Size	M12-M63、NPT1/2"-NPT 2"
材质 Material	黄铜镀镍/ 不锈钢304、316、316L/ 碳钢Q235
阻燃等级 Material	V2(UL94)

订货数据 Ordering data

规格 Specs ØD1	GL mm	H mm	mm	订货号 Order no
M12 x 1.5	15	21	18	BST-Exd-HSPM1215BR
M16 x 1.5	15	21	24	BST-Exd-HSPM1615BR
M20 x 1.5	15	22	27	BST-Exd-HSPM2015BR
M25 x 1.5	15	22	36	BST-Exd-HSPM2515BR
M32 x 1.5	15	22	43	BST-Exd-HSPM3215BR
M40 x 1.5	15	23.5	50	BST-Exd-HSPM4015BR
M50 x 1.5	15	24	60	BST-Exd-HSPM5015BR
M63 x 1.5	15	24	75	BST-Exd-HSPM6315BR

订货数据 Ordering data

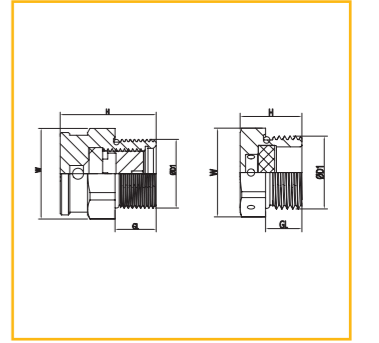
规格 Specs ØD1	GL mm	T mm	S mm	订货号 Order no
NPT 1/2"	15	6	10.3	BST-Exd-HSPN1215BR
NPT 3/4"	15	6	10.3	BST-Exd-HSPN3415BR
NPT 1"	15	8	17.3	BST-Exd-HSPN10015BR
NPT 1 1/4"	15	8	17.3	BST-Exd-HSPN11415BR
NPT 1 1/2"	15	10	19.3	BST-Exd-HSPN11215BR
NPT 2"	15	10	19.3	BST-Exd-HSPN20015BR

防爆呼吸阀
Ex Hexagon Metal Screw Plugs



→ BST-8010E/8010D系列 Series

适用范围 Application Scope: 适用于气体1、2区；粉尘21、22区
Suitable for gas zones 1 and 2; dust zones 21, and 22
防护等级 Protection Rating: IP66
工作温度 Operating Temperature Range: -60°C~+130°C
材质 Material: 黄铜镀镍/不锈钢304、316、316L
O型圈 O-Ring: 硅橡胶 Silicone Rubber



认证数据-增安型 Certification data - Increased safety type	认证数据-隔爆型 Certification data - Flameproof type
认证类别 Certificate Type	认证类别 Certificate Type
防爆合格证 Certificate	防爆合格证 Certificate
Ex eb II C Gb Ex tb III C Db	Ex db II C Gb Ex eb II C Gb Ex tb III C Db

技术数据-增安型 Technical data	技术数据-隔爆型 Technical data
螺纹规格 Thread Size	螺纹规格 Thread Size
M12-M20、PG 13.5、NPT 1/2"、G 1/2"	M25、NPT3/4"
材质 Material	材质 Material
黄铜镀镍/不锈钢304、316、316L	黄铜镀镍/不锈钢304、316、316L

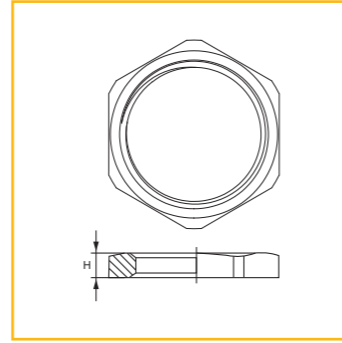
订货数据-增安型 Ordering data

规格 Specs ØD1	GL mm	H mm	mm	订货号 Order no
M12 x 1.5	7	12.6	14	BST-80/10E-M12BR
M20 x 1.5	10	17	22	BST-80/10E-M20BR
PG 13.5	10	17	25	BST-80/10E-P13BR
NPT1/2"	10	17	25	BST-80/10E-N12BR
G 1/2"	10	17	25	BST-80/10E-G12BR

订货数据-隔爆型 Ordering data

规格 Specs ØD1	GL mm	H mm	mm	订货号 Order no
M25 x 1.5	15	35	30	BST-80/10D-M25BR
NPT 3/4"	15	35	30	BST-80/10D-N34BR

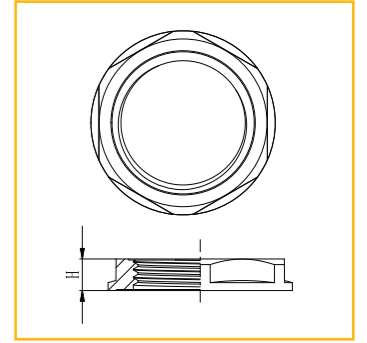
材料 Material: 黄铜镀镍 Nickel-plated brass
工作温度 Working temperature: -60°C to 200°C



订货数据 Ordering data

规格 Specs ØD1	H mm	H mm	订货号 Order no
M12 x 1.5	2.6	15	M12BR-LN
M16 x 1.5	2.8	19	M16BR-LN
M20 x 1.5	3.0	23	M20BR-LN
M25 x 1.5	3.5	29	M25BR-LN
M32 x 1.5	4	36	M32BR-LN
M40 x 1.5	4a	45	M40BR-LN
M50 x 1.5	5.5	55	M50BR-LN
M63 x 1.5	6	70	M63BR-LN
<hr/>			
PG 7	2.7	15	P07BR-LN
PG 9	3	18	P09BR-LN
PG 11	3	21	P11BR-LN
PG 13.5	3	23	P13BR-LN
PG 16	3	26	P16BR-LN
PG 21	3.5	32	P21BR-LN
PG 29	4	41	P29BR-LN
PG 36	5	51	P36BR-LN
PG 42	5	60	P42BR-LN
PG 48	5.5	64	P48BR-LN
<hr/>			
G 1/4"	4	17	G14BR-LN
G 3/8"	4.5	19	G38BR-LN
G 1/2"	5	24	G12BR-LN
G 3/4"	5	30	G34BR-LN
G 1"	6	40	G100BR-LN
G 1 1/4"	6	50	G114BR-LN
G 1 1/2"	6	57	G112BR-LN
G 2"	6	64	G200BR-LN

材料 Material: 采用UL认可的尼龙材料 PA (NYLON), UL 94 V-2
工作温度 Working temperature: -40°C to 100°C
颜色种类 Color: 灰色、黑色, 其他颜色可定做
Grey(RAL7035), Black(RAL9005), other colors customized.
材料种类 Material options: V0或F1可定做 V0, or F1 can be offered upon request.



订货数据 Ordering data

规格 Specs D1	H mm	H mm	订货号 Order no RAL7035	订货号 Order no RAL9005
M12 x 1.5	5	17	M12-LN	M12-LNB
M16 x 1.5	5	22	M16-LN	M16-LNB
M20 x 1.5	5.7	27	M20-LN	M20-LNB
M25 x 1.5	6	32	M25-LN	M25-LNB
M32 x 1.5	7	41	M32-LN	M32-LNB
M40 x 1.5	7	50	M40-LN	M40-LNB
M50 x 1.5	8.5	60	M50-LN	M50-LNB
M63 x 1.5	8	75	M63-LN	M63-LNB
<hr/>				
PG 7	5	19	P07-LN	P07-LNB
PG 9	5	22	P09-LN	P09-LNB
PG 11	5	24	P11-LN	P11-LNB
PG 13.5	5.7	27	P13-LN	P13-LNB
PG 16	5.7	30	P16-LN	P16-LNB
PG 19	6	30	P19-LN	P19-LNB
PG 21	6	36	P21-LN	P21-LNB
PG 29	7	46	P29-LN	P29-LNB
PG 36	7.6	60	P36-LN	P36-LNB
PG 42	8	65	P42-LN	P42-LNB
PG 48	7.8	70	P48-LN	P48-LNB
<hr/>				
NPT 1/4"	5.5	19	N14-LN	N14-LNB
NPT 3/8"	6.8	24	N38-LN	N38-LNB
NPT 1/2"	6	27	N12-LN	N12-LNB
NPT 3/4"	6.5	32	N34-LN	N34-LNB
NPT 1"	7	41	N100-LN	N100-LNB
NPT 1 1/4"	7	50	N114-LN	N114-LNB
NPT 1 1/2"	7.6	60	N112-LN	N112-LNB
NPT 2"	9	70	N200-LN	N200-LNB



产品名称 Item	产品系列 Series	材质 Material	技术要求 Sealing kit material	认证类别 Certifications	防爆标志 Ex-Mark	防护等级 IP-Grade	工作温度 Working temperature range	螺纹规格 Thread Type	图片 Pictures
防爆信号灯 Ex-proof Signal light	BST8011	铝合金 Aluminium Alloy ADC12 不锈钢 Stainless Steel 304 316 316L	额定电压: AC110V-230V AC/DC12-48V 颜色: 绿, 红, 黄, 蓝, 白	IECEX ATEX CCC 防爆合格证 Qualification	Ex db IIC Gb Ex tb IIIC Db	IP66	-55℃ ~ +130℃	M30X1.5	
防爆按钮 Ex-proof Button	BST8012	铝合金 Aluminium Alloy ADC12 不锈钢 Stainless Steel 304 316 316L	额定电流: ≤10A 颜色: 绿, 红, 黄, 蓝, 白 触点: 一常开/一常闭 NO/NC 二常开 2 NO 二常闭 2NC	IECEX ATEX CCC 防爆合格证 Qualification	Ex db IIC Gb Ex tb IIIC Db	IP66	-55℃ ~ +130℃	M30X1.5	
防爆急停按钮 Ex-proof Emergency Button	BST8013	铝合金 Aluminium Alloy ADC12 不锈钢 Stainless Steel 304 316 316L	额定电流: ≤10A 颜色: 红 触点: 一常开/一常闭 NO/NC 二常开 2 NO 二常闭 2NC	IECEX ATEX CCC 防爆合格证 Qualification	Ex db IIC Gb Ex tb IIIC Db	IP66	-55℃ ~ +130℃	M30X1.5	
防爆带灯按钮 Ex-proof Emergency Illuminated Button	BST8014	铝合金 Aluminium Alloy ADC12 不锈钢 Stainless Steel 304 316 316L	额定电压: AC110V-230V AC/DC12-48V 额定电流: ≤10A 颜色: 绿, 红, 黄, 蓝, 白 触点: 一常开/一常闭 NO/NC 二常开 2 NO 二常闭 2NC	IECEX ATEX CCC 防爆合格证 Qualification	Ex db IIC Gb Ex tb IIIC Db	IP66	-55℃ ~ +130℃	M30X1.5	
防爆开关 Ex-proof Switch	BST8015	铝合金 Aluminium Alloy ADC12 不锈钢 Stainless Steel 304 316 316L	额定电流: ≤10A 颜色: 本色 触点: 详细见开关代号表1	IECEX ATEX CCC 防爆合格证 Qualification	Ex db IIC Gb Ex tb IIIC Db	IP66	-55℃ ~ +130℃	M30X1.5	
防爆转换开关 Ex-proof Change-over Switch	BST8016	铝合金 Aluminium Alloy ADC12 不锈钢 Stainless Steel 304 316 316L	额定电流: ≤10A 颜色: 本色 触点: 详细见开关代号表2	IECEX ATEX CCC 防爆合格证 Qualification	Ex db IIC Gb Ex tb IIIC Db	IP66	-55℃ ~ +130℃	M30X1.5	
防爆观察窗模块 Ex-proof viewing window module	BST8017	铝合金 Aluminium Alloy ADC12 不锈钢 Stainless Steel 304 316 316L	适用于48型或72型仪表	IECEX ATEX CCC 防爆合格证 Qualification	Ex db IIC Gb Ex tb IIIC Db	IP66	-55℃ ~ +130℃	M90X2.0 M123X2.0	

Technical Guidance
Ex e Explosion-proof Enclosure
Ex d Explosion-proof Enclosure
Combined Explosion-proof Enclosure
Ex e Cable Gland
Ex d Cable Gland
Explosion-proof Accessories
Ex Certified Components
Three-proof Case

型号含义
Model Meaning



→ BST80系列 Series								IEC	ATEX	CCC	RoHS	REACH
BST8011 系列 Series	BST	80	11	□	□	□	□					
	倍仕得 BEISIT	Ex元件 Ex-components	防爆信号灯 Ex-single LED	标准型 Standard model	电压 Voltage 1: AC220-380V 2: AC/DC 24-36V	材质 Material 1: 铝合金 Aluminium alloy 6063 2: 不锈钢 Stainless Steel	颜色 Colors R: 红色 Red G: 绿色 Green Y: 黄色 Yellow B: 蓝色 Blue W: 白色 White					
BST8012 系列 Series	BST	80	12	□	□	□	□					
	倍仕得 BEISIT	Ex元件 Ex-components	防爆按钮 Ex-button	电压 Voltage 1: AC 690V 2: DC 220V	触点类型 Switching mode 0: 一常开/一常闭 one normal open, one normal close 1: 二常开 two normal open 2: 二常闭 two normal clos	材质 Material 1: 铝合金 Aluminium alloy 6063 2: 不锈钢 Stainless Steel	颜色 Colors R: 红色 Red G: 绿色 Green Y: 黄色 Yellow B: 蓝色 Blue W: 白色 White					
BST8013 系列 Series	BST	80	13	□	□	□	□					
	倍仕得 BEISIT	Ex元件 Ex-components	防爆急停按钮 Ex-button	电压 Voltage 1: AC 690V 2: DC 220V	触点类型 Switching mode 0: 一常开/一常闭 one normal open, one normal close 1: 二常开 two normal open 2: 二常闭 two normal clos	材质 Material 1: 铝合金 Aluminium alloy 6063 2: 不锈钢 Stainless Steel	颜色 Colors R: 红色 Red G: 绿色 Green B: 黑色 Black					
BST8014 系列 Series	BST	80	14	□	□	□	□					
	倍仕得 BEISIT	Ex元件 Ex-components	防爆带灯按钮 Ex-proof illuminated push button	电压 Voltage 1: AC 690V 2: DC 220V	触点类型 Switching mode 0: 一常开/一常闭 one normal open, one normal close 1: 二常开 two normal open 2: 二常闭 two normal clos	材质 Material 1: 铝合金 Aluminium alloy 6063 2: 不锈钢 Stainless Steel	颜色 Colors R: 红色 Red G: 绿色 Green Y: 黄色 Yellow B: 蓝色 Blue W: 白色 White					
BST8015 系列 Series	BST	80	15	□	□	□	□					
	倍仕得 BEISIT	Ex元件 Ex-components	防爆开关 Ex-proof illuminated push button	电压 Voltage 1: AC 690V 2: DC 220V	触点类型 Switching mode 0: 开关代号 Switch code 1: 开关代号 Switch code 2: 开关代号 Switch code 详见开关代号说明 For details, please refer to the switch code description	材质 Material 1: 铝合金 Aluminium alloy 6063 2: 不锈钢 Stainless Steel	颜色 Colors N: 本色 original corlor					
BST8016 系列 Series	BST	80	16	□	□	□	□					
	倍仕得 BEISIT	Ex元件 Ex-components	防爆转换开关 Ex-proof illuminated push button	电压 Voltage 1: AC 690V 2: DC 220V	触点类型 Switching mode 0: 开关代号 Switch code 1: 开关代号 Switch code 2: 开关代号 Switch code 详见开关代号说明 For details, please refer to the switch code description	材质 Material 1: 铝合金 Aluminium alloy 6063 2: 不锈钢 Stainless Steel	颜色 Colors N: 本色 original corlor					
BST8017 系列 Series	BST	80	17	□	□	□	□					
	倍仕得 BEISIT	Ex元件 Ex-components	防爆观察窗模块 Ex-proof viewing window	仪表属性 Model number 1: 电流表 Ammeter 2: 电压表 Voltmeter 3: 其他	仪表类型 Type of meters 1: 48表 48 type meter 2: 72表 72 type meter	材质 Material 1: 铝合金 Aluminium alloy 6063 2: 不锈钢 Stainless Steel	颜色 Colors N: 本色 original corlor					


防爆Ex元件(防爆信号灯)
Ex-accessories



→ BST8011系列 Series

符合标准 Meet a criterion: IEC 60079-0,IEC 60079-1,IEC 60079-7,IEC 60079-15,IEC 60079-31;
适用范围 Scope of application: EN 60079-0,EN 60079-1,EN 60079-7,EN 60079-15,EN 60079-31
GB/T 3836.1、GB/T 3836.2、GB/T 3836.3、GB/T 3836.31
适用于气体1、2区; 粉尘21、22区
Suitable for gas zones 1 and 2; dust zones 20, 21, and 22

防护等级 Protection level: IP66
抗冲击性能 Impact resistance: 7J
使用环境温度 Operating ambient temperature: -55°C≤Ta≤+60°C
工作温度 Operating Temperature Range: -60°C~+130°C



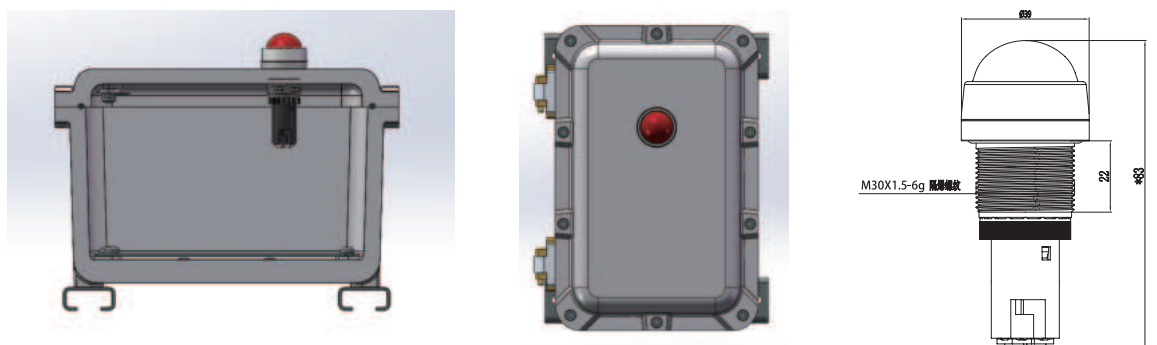
认证数据 Authentication Certificate

认证类别 Certificate Type	防爆标志 Ex-Mark	认证类别 Certificate Type	防爆标志 Ex-Mark
IECEx证书 IECEx Certificate	Ex db IIC Gb Ex tb IIIC Db	CCC证书 CCC Certificate	Ex db IIC Gb Ex tb IIIC Db
ATEX证书 ATEX Certificate	Ⓜ II 2 G Ex db IIC Gb Ⓜ II 2 D Ex tb IIIC Db	防爆合格证 Certificate	Ex db IIC Gb Ex tb IIIC Db

开孔数据 Drilling Hole Table for Cable Glands on Flameproof Enclosures

螺纹规格 Ex-proof thread	材质 Material	额定功率 Rated Current	额定电压 Rated Voltage	额定频率 Rated Frequency	颜色 Colors	订货号 Part Number
M30*1.5	铝合金 Aluminium Alloy	功率≤1W Power≤1W	AC/DC 24-36V	50/60HZ	绿 Green 红 Red 黄 Yellow 蓝 Blue 白 White	BST8011111R BST8011111G BST8011111Y BST8011111B BST8011111W
M30*1.5	铝合金 Aluminium Alloy	功率≤1W Power≤1W	AC 220-380V	50/60HZ	绿 Green 红 Red 黄 Yellow 蓝 Blue 白 White	BST8011121R BST8011121G BST8011121Y BST8011121B BST8011121W
M30*1.5	不锈钢 Stainless Steel	功率≤1W Power≤1W	AC/DC 24-36V	50/60HZ	绿 Green 红 Red 黄 Yellow 蓝 Blue 白 White	BST8011112R BST8011112G BST8011112Y BST8011112B BST8011112W
M30*1.5	不锈钢 Stainless Steel	功率≤1W Power≤1W	AC 220-380V	50/60HZ	绿 Green 红 Red 黄 Yellow 蓝 Blue 白 White	BST8011122R BST8011122G BST8011122Y BST8011122B BST8011122W

外形图样 Appearance



隔爆Ex元件(防爆按钮)
Ex-accessories



→ BST8012系列 Series



符合标准 Meet a criterion: IEC 60079-0, IEC 60079-1, IEC 60079-7, IEC 60079-15, IEC 60079-31;
EN 60079-0, EN 60079-1, EN 60079-7, EN 60079-15, EN 60079-31
适用范围 Scope of application: GB/T 3836.1, GB/T 3836.2, GB/T 3836.3, GB/T 3836.31
适用于气体1、2区; 粉尘21、22区
Suitable for gas zones 1 and 2; dust zones 20, 21, and 22
防护等级 Protection level: IP66
抗冲击性能 Impact resistance: 7J
使用环境温度 Operating ambient temperature: $-55^{\circ}\text{C} \leq T_a \leq +60^{\circ}\text{C}$
工作温度 Operating Temperature Range: $-60^{\circ}\text{C} \sim +130^{\circ}\text{C}$



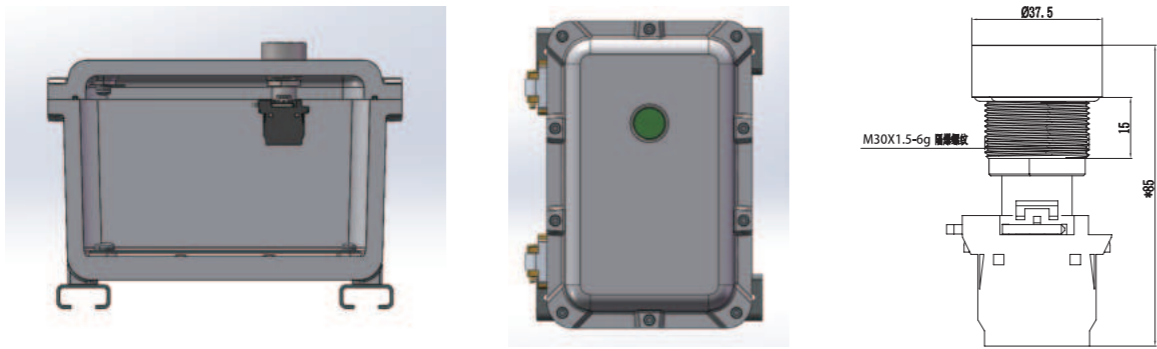
认证数据 Authentication Certificate

认证类别 Certificate Type	防爆标志 Ex-Mark	认证类别 Certificate Type	防爆标志 Ex-Mark
IECE证书 IECE Certificate	Ex db IIC Gb Ex tb IIIC Db	CCC证书 CCC Certificate	Ex db IIC Gb Ex tb IIIC Db
ATEX证书 ATEX Certificate	Ⓜ II 2 G Ex db IIC Gb Ⓜ II 2 D Ex tb IIIC Db	防爆合格证 Certificate	Ex db IIC Gb Ex tb IIIC Db

开孔数据 Drilling Hole Table for Cable Glands on Flameproof Enclosures

螺纹规格 Ex-proof thread	材质 Material	最大电压 Rated Voltage	最大电流 Rated Current	触点类型 Switching mode	颜色 Colors	订货号 Part Number
M30*1.5	铝合金 Aluminium Alloy	690V	10A	一常开/一常闭 NO/NC	绿 Green	BST8012101G
					红 Red	BST8012101R
					黄 Yellow	BST8012101Y
					蓝 Blue	BST8012101B
					白 White	BST8012101W
M30*1.5	铝合金 Aluminium Alloy	690V	10A	二常开 2NO	绿 Green	BST8012111G
					红 Red	BST8012111R
					黄 Yellow	BST8012111Y
					蓝 Blue	BST8012111B
					白 White	BST8012111W
M30*1.5	不锈钢 Stainless Steel	690V	10A	一常开/一常闭 NO/NC	绿 Green	BST8012102G
					红 Red	BST8012102R
					黄 Yellow	BST8012102Y
					蓝 Blue	BST8012102B
					白 White	BST8012102W
M30*1.5	不锈钢 Stainless Steel	690V	10A	二常开 2NO	绿 Green	BST8012112G
					红 Red	BST8012112R
					黄 Yellow	BST8012112Y
					蓝 Blue	BST8012112B
					白 White	BST8012112W

外形图样 Appearance



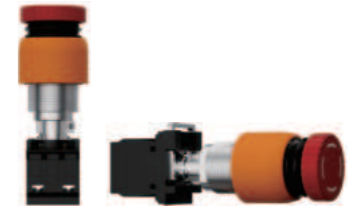
隔爆Ex元件(防爆急停按钮)
Ex-accessories



→ BST8013系列 Series



符合标准 Meet a criterion: IEC 60079-0, IEC 60079-1, IEC 60079-7, IEC 60079-15, IEC 60079-31;
EN 60079-0, EN 60079-1, EN 60079-7, EN 60079-15, EN 60079-31
适用范围 Scope of application: GB/T 3836.1, GB/T 3836.2, GB/T 3836.3, GB/T 3836.31
适用于气体1、2区; 粉尘21、22区
Suitable for gas zones 1 and 2; dust zones 20, 21, and 22
防护等级 Protection level: IP66
抗冲击性能 Impact resistance: 7J
使用环境温度 Operating ambient temperature: $-55^{\circ}\text{C} \leq T_a \leq +60^{\circ}\text{C}$
工作温度 Operating Temperature Range: $-60^{\circ}\text{C} \sim +130^{\circ}\text{C}$



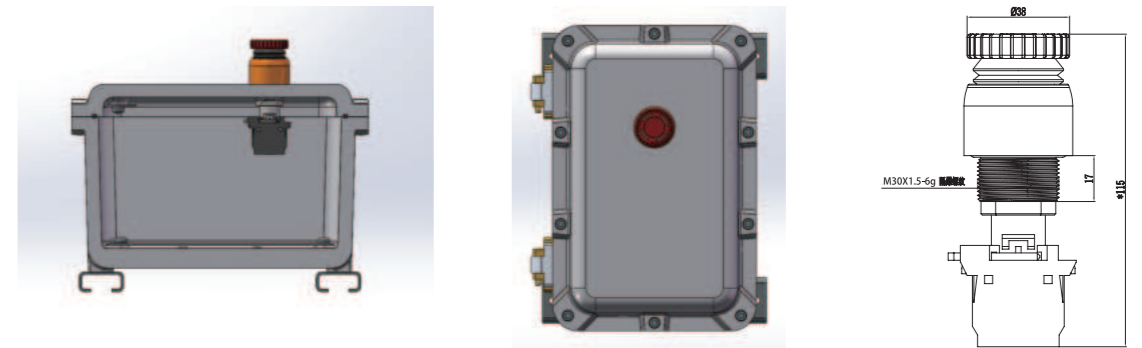
认证数据 Authentication Certificate

认证类别 Certificate Type	防爆标志 Ex-Mark	认证类别 Certificate Type	防爆标志 Ex-Mark
IECE证书 IECE Certificate	Ex db IIC Gb Ex tb IIIC Db	CCC证书 CCC Certificate	Ex db IIC Gb Ex tb IIIC Db
ATEX证书 ATEX Certificate	Ⓜ II 2 G Ex db IIC Gb Ⓜ II 2 D Ex tb IIIC Db	防爆合格证 Certificate	Ex db IIC Gb Ex tb IIIC Db

开孔数据 Drilling Hole Table for Cable Glands on Flameproof Enclosures

螺纹规格 Ex-proof thread	材质 Material	最大电压 Rated Voltage	最大电流 Rated Current	触点类型 Switching mode	颜色 Colors	订货号 Part Number
M30*1.5	铝合金 Aluminium Alloy	690V	10A	一常开/一常闭 NO/NC	绿 Green	BST8013101G
					红 Red	BST8013101R
					黑 Back	BST8013101H
M30*1.5	铝合金 Aluminium Alloy	690V	10A	二常开 2NO	绿 Green	BST8013111G
					红 Red	BST8013111R
					黑 Back	BST8013111H
M30*1.5	不锈钢 Stainless Steel	690V	10A	一常开/一常闭 NO/NC	绿 Green	BST8013102G
					红 Red	BST8013102R
					黑 Back	BST8013102H
M30*1.5	不锈钢 Stainless Steel	690V	10A	二常开 2NO	绿 Green	BST8013112G
					红 Red	BST8013112R
					黑 Back	BST8013112H

外形图样 Appearance



隔爆Ex元件(防爆带灯按钮)
Ex-accessories



→ BST8014系列 Series



符合标准 Meet a criterion: IEC 60079-0, IEC 60079-1, IEC 60079-7, IEC 60079-15, IEC 60079-31;
EN 60079-0, EN 60079-1, EN 60079-7, EN 60079-15, EN 60079-31
适用范围 Scope of application: GB/T 3836.1、GB/T 3836.2、GB/T 3836.3、GB/T 3836.31
适用于气体1、2区; 粉尘21、22区
Suitable for gas zones 1 and 2; dust zones 20, 21, and 22
防护等级 Protection level: IP66
抗冲击性能 Impact resistance: 7J
使用环境温度 Operating ambient temperature: $-55^{\circ}\text{C} \leq T_a \leq +60^{\circ}\text{C}$
工作温度 Operating Temperature Range: $-60^{\circ}\text{C} \sim +130^{\circ}\text{C}$



认证数据 Authentication Certificate

认证类别 Certificate Type	防爆标志 Ex-Mark	认证类别 Certificate Type	防爆标志 Ex-Mark
IECEX证书 IECEX Certificate	Ex db IIC Gb Ex tb IIIC Db	CCC证书 CCC Certificate	Ex db IIC Gb Ex tb IIIC Db
ATEX证书 ATEX Certificate	Ⓜ II 2 G Ex db IIC Gb Ⓜ II 2 D Ex tb IIIC Db	防爆合格证 Certificate	Ex db IIC Gb Ex tb IIIC Db

开孔数据 Drilling Hole Table for Cable Glands on Flameproof Enclosures

螺纹规格 Ex-proof thread	材质 Material	信号灯电压 Rated Current	信号灯电流 Rated Voltage	触点类型 Switching mode	颜色 Colors	订货号 Part Number
M30*1.5	铝合金 Aluminium Alloy	AC220-380V	4A	一带开/一带闭 NO/NC	绿 Green	BST8014101G
					红 Red	BST8014101R
					黄 Yellow	BST8014101Y
					蓝 Blue	BST8014101B
					白 White	BST8014101W
M30*1.5	铝合金 Aluminium Alloy	AC220-380V	4A	二常开 2NO	绿 Green	BST8014111G
					红 Red	BST8014111R
					黄 Yellow	BST8014111Y
					蓝 Blue	BST8014111B
					白 White	BST8014111W
M30*1.5	不锈钢 Stainless Steel	AC/DC 24-36V	5A	一带开/一带闭 NO/NC	绿 Green	BST8014202G
					红 Red	BST8014202R
					黄 Yellow	BST8014202Y
					蓝 Blue	BST8014202B
					白 White	BST8014202W
M30*1.5	不锈钢 Stainless Steel	AC/DC 24-36V	5A	二常开 2NO	绿 Green	BST8014212G
					红 Red	BST8014212R
					黄 Yellow	BST8014212Y
					蓝 Blue	BST8014212B
					白 White	BST8014212W

外形图样 Appearance



隔爆Ex元件(防爆开关)
Ex-accessories



→ BST8015系列 Series



符合标准 Meet a criterion: IEC 60079-0, IEC 60079-1, IEC 60079-7, IEC 60079-15, IEC 60079-31;
EN 60079-0, EN 60079-1, EN 60079-7, EN 60079-15, EN 60079-31
适用范围 Scope of application: GB/T 3836.1、GB/T 3836.2、GB/T 3836.3、GB/T 3836.31
适用于气体1、2区; 粉尘21、22区
Suitable for gas zones 1 and 2; dust zones 20, 21, and 22
防护等级 Protection level: IP66
抗冲击性能 Impact resistance: 7J
使用环境温度 Operating ambient temperature: $-55^{\circ}\text{C} \leq T_a \leq +60^{\circ}\text{C}$
工作温度 Operating Temperature Range: $-60^{\circ}\text{C} \sim +130^{\circ}\text{C}$



认证数据 Authentication Certificate

认证类别 Certificate Type	防爆标志 Ex-Mark	认证类别 Certificate Type	防爆标志 Ex-Mark
IECEX证书 IECEX Certificate	Ex db IIC Gb Ex tb IIIC Db	CCC证书 CCC Certificate	Ex db IIC Gb Ex tb IIIC Db
ATEX证书 ATEX Certificate	Ⓜ II 2 G Ex db IIC Gb Ⓜ II 2 D Ex tb IIIC Db	防爆合格证 Certificate	Ex db IIC Gb Ex tb IIIC Db

开孔数据 Drilling Hole Table for Cable Glands on Flameproof Enclosures

螺纹规格 Ex-proof thread	材质 Material	最大电压 Rated Current	最大电流 Rated Voltage	触点类型 Switching mode	颜色 Colors	订货号 Part Number
M30*1.5	铝合金 Aluminium Alloy	690V	10A	A: 开关代号 B: 开关代号 C: 开关代号 如: 开关代号:A	N: 本色	BST8015101N BST8015111N BST8015121N
	不锈钢 Stainless Steel					BST8015201N BST8015211N BST8015221N

外形图样 Appearance



→ BST8015系列 Series

表1 Authentication Certificate

开关代号 Switch code	接触图 Contact diagram	开关位置 Switch position	开关代号 Switch code	接触图 Contact diagram	开关位置 Switch position	开关代号 Switch code	接触图 Contact diagram	开关位置 Switch position
A			B			C		
D			E			F		
G			H			I		
J			K			L		
M			N			O		
P			Q			R		

其他开关请注明 Authentication Certificate

→ BST8016系列 Series

符合标准 Meet a criterion:
适用范围 Scope of application:

IEC 60079-0, IEC 60079-1, IEC 60079-7, IEC 60079-15, IEC 60079-31;
EN 60079-0, EN 60079-1, EN 60079-7, EN 60079-15, EN 60079-31
GB/T 3836.1, GB/T 3836.2, GB/T 3836.3, GB/T 3836.31
适用于气体1、2区; 粉尘21、22区
Suitable for gas zones 1 and 2; dust zones 20, 21, and 22



防护等级 Protection level: IP66
抗冲击性能 Impact resistance: 7J
使用环境温度 Operating ambient temperature: $-55^{\circ}\text{C} \leq T_a \leq +60^{\circ}\text{C}$
工作温度 Operating Temperature Range: $-60^{\circ}\text{C} \sim +130^{\circ}\text{C}$

认证数据 Authentication Certificate

认证类别 Certificate Type	防爆标志 Ex-Mark	认证类别 Certificate Type	防爆标志 Ex-Mark
IECE证书 IECE Certificate	Ex db IIC Gb Ex tb IIIC Db	CCC证书 CCC Certificate	Ex db IIC Gb Ex tb IIIC Db
ATEX证书 ATEX Certificate	Ⓜ II 2 G Ex db IIC Gb Ⓜ II 2 D Ex tb IIIC Db	防爆合格证 Certificate	Ex db IIC Gb Ex tb IIIC Db

开孔数据 Drilling Hole Table for Cable Glands on Flameproof Enclosures

螺纹规格 Ex-proof thread	材质 Material	最大电压 Rated Voltage	最大电流 Rated Current	触点类型 Switching mode	颜色 Colors	订货号 Part Number
M30*1.5	铝合金 Aluminium Alloy	690V	10A	A: 开关代号 B: 开关代号 C: 开关代号 如: 开关代号:A	N: 本色	BST8016101N BST8016111N BST8016121N
M30*1.5	不锈钢 Stainless Steel	690V	10A	A: 开关代号 B: 开关代号 C: 开关代号 如: 开关代号:A	N: 本色	BST8016201N BST8016211N BST8016221N

外形图样 Appearance



表2 Authentication Certificate				
开关代号 Switch code	开关位置 Switch position	等效开关 Equivalent Switch	接触图 Contact Diagram	等效功能说明 Equivalent Functional Description
A				功能接线均与双按钮相同，自动复位。 Wiring functions identical to dual-button switches, with auto-reset.
B				功能与双按钮相同，启动自复位，增加了“锁停”档位，防止误操作。 Functions same as dual-button switches, with auto-reset on startup and an added "locked stop" position to prevent accidental operation.
C				两个常开触点的按钮，自动复位，适合高压电机控制电路用。 Two normally open (NO) contact buttons, auto-reset, suitable for high-voltage motor control circuits.
D				做小功率电源开关。如小轴流风机、水泵等。 Used for low-power supply switching (e.g., small axial fans, pumps).
E				功能与三按钮相同，控制电机正、反转用，正、反启动自动复位。 Functions identical to three-button switches, for motor forward/reverse control with auto-reset.
F				选择开关，中间带停止档位。 Selector switch with a neutral stop position in the center.

表2 Authentication Certificate				
开关代号 Switch code	开关位置 Switch position	等效开关 Equivalent Switch	接触图 Contact Diagram	等效功能说明 Equivalent Functional Description
G				相当于两个按钮和一个切换开关装于一轴，在启动与停止前均可输出联络信号或监控信号。 Combines two buttons and a toggle switch on a single shaft, outputs connection or monitoring signals before start/stop.
H				旋转方向任意，多信号逐级传送。 Rotates freely in any direction, supports multi-signal step-by-step transmission.
I				在H基础上增加了总信号传送功能。 Adds master signal transmission functionality based on Switch H.
J				二进制编码，逐级切换。 Binary-coded, step-by-step switching.
K				切换开关。 Toggle switch.
L				三级双掷选择开关。 Three-position bistable selector switch.

表2 Authentication Certificate

开关代号 Switch code	开关位置 Switch position	等效开关 Equivalent Switch	接触图 Contact Diagram	等效功能说明 Equivalent Functional Description
M				自动、手动、起动三位置转换开关，起动自复位，起动后必须经过停止档位才能转向自动档位。 Auto/Manual/Start three-position transfer switch: Start position is self-resetting. After starting, it must pass through the Stop position to switch to the Auto position.
N				与M型开关结构略有不同，在手动起动后不经停止档位直接转向自动档位。 Differences from M-type switch: After manual start, it can directly switch to Auto position without passing through Stop.
O				起动为双触点自复位，带锁停功能。 Start function: Dual contacts with self-resetting and lock-stop capability.
P				停止为双触点，也可分别代替A或C起、停均自动复位。 Stop function: Dual contacts; can independently replace A or C. Both Start and Stop positions are self-resetting.
Q				停止带双触点，起动自复位，带锁停档位。 Stop with dual contacts: Start is self-resetting, and Stop includes a lock-stop position.
R				起动、停止均带双触点，起动、停止均自动复位。 Start/Stop with dual contacts: Both Start and Stop positions are self-resetting.

表2 Authentication Certificate

开关代号 Switch code	开关位置 Switch position	等效开关 Equivalent Switch	接触图 Contact Diagram	等效功能说明 Equivalent Functional Description
S				起动、停止前先传递一个联络信号。 Pre-operation signal: A linkage signal is transmitted before Start or Stop actions.
T				起动、停止均可带锁定装置，将开关锁定在起动或停止档，避免误操作，不自动复位。 Locking mechanism: Start and Stop positions can be locked to prevent accidental operation (non-self-resetting).
U				双控选择开关。 Dual-control selector switch.
V				电压换相测量转换开关。 Voltage measurement transfer switch. A 2 normally open (NO) self-resetting button, operable from left and right.
W				一个2常开自复位按钮，左、右操作。 Two 2 normally open (NO) self-resetting buttons.
X				两个2常开自复位按钮。 Two normally open self-reset buttons.
Y				带4个常开触点的自复位按钮。 A self-reset button with four normally open contacts.
Z				电源开关，中间断开，左、右均接通可作消防开关。 The power switch is middle-disconnected, and both left and right positions can serve as fire switches.

→ BST8016系列 Series

表2 Authentication Certificate

开关代号 Switch code	开关位置 Switch position	等效开关 Equivalent Switch	接触图 Contact Diagram	等效功能说明 Equivalent Functional Description
a				可用于起动、点动混合电路。 It can be used in the starting and inching mixed circuit.
b				双联自动开关。 Double-linked automatic switch.
c				三个复位按钮，适用于降压起动电路。 Three reset buttons, which are suitable for the step-down starting circuit.
d				急停时使用，左、右操作均断开。 For emergency stop. Disconnects on both left and right operations.
e				两常开触点的按钮，自动复位，带组信号触点，适用于高压电机控制。 A button with two normally open contacts and automatic reset, equipped with a set of signal contacts, suitable for high-voltage motor control.

→ BST8017系列 Series

符合标准 Meet a criterion:
适用范围 Scope of application:

IEC 60079-0, IEC 60079-1, IEC 60079-7, IEC 60079-15, IEC 60079-31;
EN 60079-0, EN 60079-1, EN 60079-7, EN 60079-15, EN 60079-31
GB/T 3836.1, GB/T 3836.2, GB/T 3836.3, GB/T 3836.31
适用于气体1、2区；粉尘21、22区
Suitable for gas zones 1 and 2; dust zones 20, 21, and 22



防护等级 Protection level: IP66
抗冲击性能 Impact resistance: 7J
使用环境温度 Operating ambient temperature: $-55^{\circ}\text{C} \leq T_a \leq +60^{\circ}\text{C}$
工作温度 Operating Temperature Range: $-60^{\circ}\text{C} \sim +130^{\circ}\text{C}$

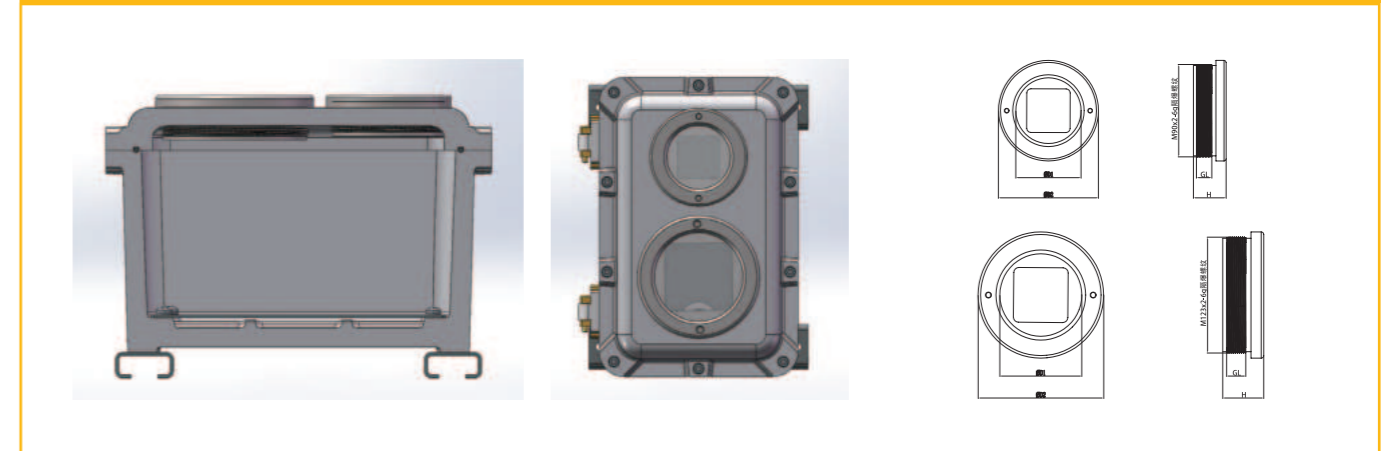
认证数据 Authentication Certificate

认证类别 Certificate Type	防爆标志 Ex-Mark	认证类别 Certificate Type	防爆标志 Ex-Mark
IECEX证书 IECEx Certificate	Ex db IIC Gb Ex tb IIIC Db	CCC证书 CCC Certificate	Ex db IIC Gb Ex tb IIIC Db
ATEX证书 ATEX Certificate	Ⓜ II 2 G Ex db IIC Gb Ⓜ II 2 D Ex tb IIIC Db	防爆合格证 Certificate	Ex db IIC Gb Ex tb IIIC Db

开孔数据 Drilling Hole Table for Cable Glands on Flameproof Enclosures

螺纹规格 Ex-proof thread	材质 Material	仪表类型 Rated Current	额定电压 Rated Voltage	额定频率 Switching mode	颜色 Colors	订货号 Part Number
M90×2.0	铝合金 Aluminium Alloy	48表	AC/DC 24-36V	50/60HZ	N: 本色	BST8017111N BST8017211N
M123×2.0	铝合金 Aluminium Alloy	72表	AC 220-380V	50/60HZ	N: 本色	BST8017121N BST8017221N
M90×2.0	不锈钢 Stainless Steel	48表	AC/DC 24-36V	50/60HZ	N: 本色	BST8017112N BST8017212N
M123×2.0	不锈钢 Stainless Steel	72表	AC 220-380V	50/60HZ	N: 本色	BST8017122N BST8017222N

外形图样 Appearance



防水防尘防腐箱
Waterproof, Dustproof and Anti-corrosion Junction Box



防水防尘防腐箱选型指南
Three-proof Box Selection-guide

→ BST5110/20/30F系列 Series

产品名称 Item	产品系列 Series	材质 Material	密封材质 Material of sealing kit	防护等级 IP-Grade	箱体编号 Part NO.	详细页码 Page Reference	图片 Pictures
防水防尘防腐箱 Three-proof Junction Box (Enclosure)	BST5110F 系列 Series	铸铝 Cast Aluminium (ADC12)	硅胶 Silicone Rubber	IP66	1#~29#	P1-P10	
	BST5120F 系列 Series	玻璃纤维增强聚酯 Glass Fiber Reinforced Polyester	硅胶 Silicone Rubber	IP66	1#~21#	P1-P10	
	BST5130F 系列 Series	不锈钢 Stainless Steel (304/316/316L)	PU 点胶硅胶 平板硅胶 Dispensing Silicone Rubber Normal Silicone Rubber	IP66	1#~17#	P1-P10	

型号含义 Model Meaning

















BST	□	□	□	□	□	□
倍仕得 BEISIT	名称 Name 5: 箱 (盒) Junction box (box)	属性 Stats 1: 整机 Empty Container	材质 Material 10: 铸铝 Cast Aluminium(ADC12) 20: 玻璃纤维增强聚酯 Glass Fiber Reinforced Polyester 30: 不锈钢 Stainless steel (304、316、316L)	箱体尺寸代码 Box Size Code 01# 02# 03#	结构形式 Structure Form 1: 螺钉式 Screw type 2: 螺钉+铰链式 Screw + Hinge Type 3: 锁+铰链式 Lock + Hinge Type	功能类别 Function Category F: 防水防尘防腐 Waterproof, dustproof and anti-corrosion

举例: 01#空箱尺寸64*58*36mm, 型号即为: BST5010011F
For Example: 01# box size 64*58*36mm, the model is: BST5010011F

防水防尘防腐箱性能表
Junction box (box) performance table



→ BST5110/20/30F系列 Series

产品系列 Model	 BST5010F系列	 BST5020F系列	 BST5030F系列
材料 Material	铸铝系列 Ex Cast Aluminium Series	玻璃纤维增强聚酯系列 Glass Fiber Reinforced Polyester Series	不锈钢系列 Ex SS Series
密封条 Sealing Strip	硅胶 Silicone	硅胶 Silicone	硅胶 Silicone/PU
表面处理 Surface Treatment	喷塑 Spraying Plastics	/	抛光/拉丝 Polishing/Brushing
环境 Working Environment	室内、室外、石油化工 Indoor, Outdoor, Petrochemical Industry	室内、室外、石油化工、海洋工程 Indoor, Outdoor, Petrochemical Industry, Ocean Engineering	室内、室外、石油化工、海洋工程、食品、低温/高温 Indoor, Outdoor, Petrochemical Industry, Ocean Engineering, Food Industry, High/Low Temperature
优势 Advantages	免维护、重量轻、强度高 Maintenance-Free, Light-Weight, High Strength	免维护、重量轻、绝缘性好 Maintenance-Free, Light-Weight, Excellent Electrical Insulation	免维护、强度高、耐低温、耐高温 Maintenance-Free, High Strength, Low Temperature Resistant, High Temperature Resistant
防化学腐蚀 Degree of Chemical Corrosion Resistant	好 Good	很好 Excellent	很好 Excellent
防海水腐蚀 Degree of Seawater Corrosion Resistant	好 Good	很好 Excellent	很好 Excellent
防紫外线 Degree of UV-Proof	很好 Excellent	好 Good	很好 Excellent
特点 Specifications			
最低工作温度 Min Working Temperature	 -55°C	 -55°C	 -55°C
最高工作温度 Max Working Temperature	 135°C	 135°C	 135°C
抗冲击力 Impact Resistant	7J	7J	10J
IP防护等级 IP Protection Grade	IP66	IP66	IP66
尺寸 Dimensions			
长x宽x高 (最小) H*W*D(min) mm	64*58*36mm	80*75*55mm	100*100*60mm
长x宽x高 (最大) H*W*D(max) mm	600*310*110mm	810*400*210mm	1200*1200*400mm
附件 Accessories	 铭牌 Nameplate  安装板 Mounting Plate  接地标识 Grounding Identification		
	 盖板螺栓 Bonnet Bolt	/	 盖板螺栓 Bonnet Bolt
	 安装脚 Mounting Support	/	 安装脚 Mounting Support

防水防尘防腐箱
Waterproof, Dustproof and Anti-corrosion Junction Box



→ BST5110F系列 Series

适用范围 Intended Use :

适用于需要高防护等级和稳定电力供应的工业和环境条件恶劣的场合
Suitable for industrial and harsh environmental conditions that require high protection levels and stable power supply

防护等级 Degree of Protection :

IP66

抗冲击性能 Impact resistance :

7J

工作温度 Operating Temperature :

-55 C ~ +130 C

材料 Material :

铸铝 Cast Aluminium(ADC12)

耐腐蚀性等级 Corrosion resistance level : WF1



功能定义 Function Definition

防水, 防尘, 防腐箱通常称为三防箱, 其主要功能包括:

防水: 能够在潮湿环境中工作, 防止水分侵入。

防尘: 能够有效阻挡灰尘进入箱内, 保护电气元件。

防腐: 能够抵抗腐蚀性物质的侵蚀, 延长使用寿命。

Three-proof box usually refers to a waterproof, dustproof and anti-corrosion distribution box or control box. Its main functions include:
Waterproof: Able to work in humid environments to prevent moisture intrusion.

Dust-proof: It can effectively prevent dust from entering the box and protect electrical components.

Anti-corrosion: It can resist the erosion of corrosive substances and extend its service life.

组件数据-标配 Configuration components-Standard

组件数据-选配 Optional

图样 Pattern	名称 Item	材料 Material	图样 Pattern	名称 Item	材料 Material
	安装底板 Mounting Base Plate	镀锌钢板 Galvanized steel sheet		安装导轨 Installation guide rail	镀锌钢板 Galvanized steel sheet
	盖板紧固件 Fasteners for the Cover Plate	304不锈钢 Stainless Steel		接线端子 Explosion-proof Terminal Block	PA
	盖板密封条 Sealing strip for the cover plate	硅胶 Silicone		电缆固定头 Explosion-proof Cable Gland	金属 Metal
	接地标识 Grounding Identification	304不锈钢 Stainless Steel			
	铭牌 Nameplate	304不锈钢 Stainless Steel			

说明: 选配的组件详细技术参数等内容, 见其详细页。例如防爆电缆固定头详见/P

Note: For detailed technical parameters and other information of the optional components, please refer to their detailed pages. For example, for the explosion-proof cable gland, please refer to /P.

防水防尘防腐箱
Waterproof, Dustproof and Anti-corrosion Junction Box



→ BST5120F带接地板系列 (With Flange Plate) Series

适用范围 Intended Use : 适用于需要高防护等级和稳定电力供应的工业和环境条件恶劣的场所
Suitable for industrial and harsh environmental conditions that require high protection levels and stable power supply

防护等级 Degree of Protection : IP66

抗冲击性能 Impact resistance : 7J

工作温度 Operating Temperature : -55℃~+130℃

材料 Material : 玻璃纤维增强聚酯 Glass fiber reinforced resin

耐腐蚀性等级 Corrosion resistance level : WF2



功能定义 Function Definition

防水, 防尘, 防腐箱通常称为三防箱, 其主要功能包括:

防水: 能够在潮湿环境中工作, 防止水分侵入。

防尘: 能够有效阻挡灰尘进入箱内, 保护电气元件。

防腐: 能够抵抗腐蚀性物质的侵蚀, 延长使用寿命。

Three-proof box usually refers to a waterproof, dustproof and anti-corrosion distribution box or control box. Its main functions include:

Waterproof: Able to work in humid environments to prevent moisture intrusion.

Dust-proof: It can effectively prevent dust from entering the box and protect electrical components.

Anti-corrosion: It can resist the erosion of corrosive substances and extend its service life.

组件数据-标配 Configuration components-Standard			组件数据-选配 Optional		
图样 Pattern	名称 Item	材料 Material	图样 Pattern	名称 Item	材料 Material
	安装底板 Mounting Base Plate	镀锌钢板 Galvanized steel sheet		安装导轨 Installation guide rail	镀锌钢板 Galvanized steel sheet
	盖板紧固件 Fasteners for the Cover Plate	304不锈钢 Stainless Steel		接线端子 Explosion-proof Terminal Block	PA
	盖板密封条 Sealing strip for the cover plate	硅胶 Silicone		电缆固定头 Explosion-proof Cable Gland	金属 Metal
	铭牌 Nameplate	304不锈钢 Stainless Steel		接地铜板 Grounding copper plate	黄铜 Brass
				接地螺杆 Grounding screw	304 316 316L 不锈钢 Stainless Steel

说明: 选配的组件详细技术参数等内容, 见其详细页。例如防爆电缆固定头详见/P
Note: For detailed technical parameters and other information of the optional components, please refer to their detailed pages. For example, for the explosion-proof cable gland, please refer to /P.

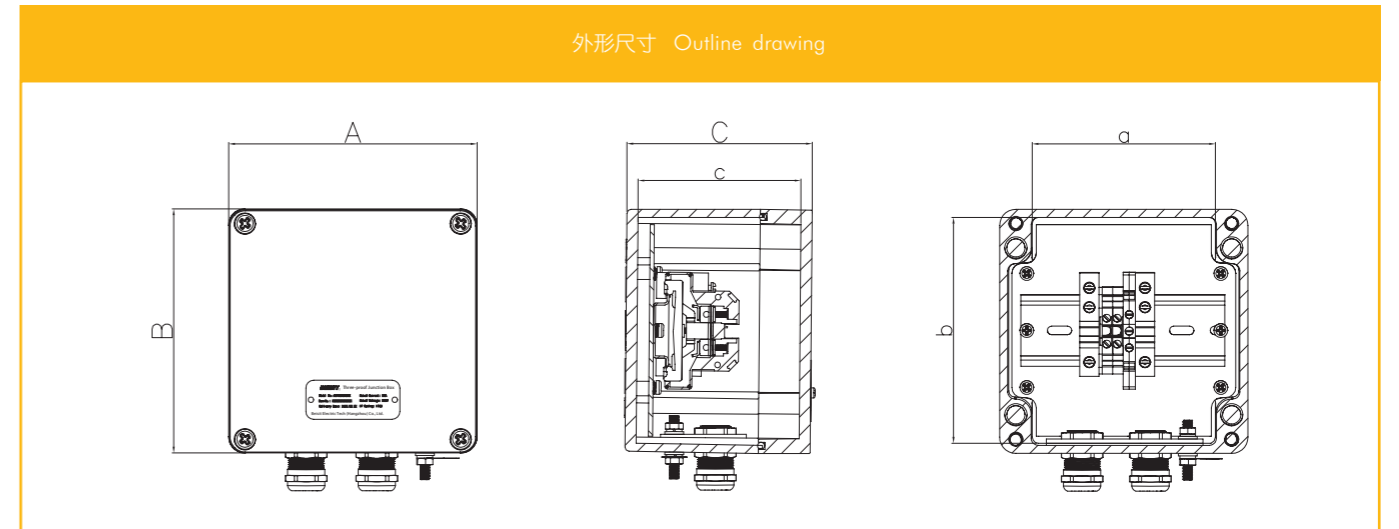
防水防尘防腐箱
Waterproof, Dustproof and Anti-corrosion Junction Box



→ BST5120F系列 Series

开孔数据 Hole Opening Table for Cable Glands of Explosion-proof Enclosures

序号 No.	箱体外形尺寸 Box Dimensions (mm)			型号 Model	开孔区域到箱体边最小距离 Min. dist. from opening area to box edge (mm)	电缆固定头安装面 Cable gland mount surface F	电缆固定头型号 Cable Gland Model														
	长 long A	宽 wide B	高 high C				M12	M16	M16B	M20	M20B	M25	M32	M40	M50	M63					
1	80	75	75	BST5120011F	最小距离≥3	D/E F/G	5	4	4	1	1	1	1	/	/	/	/	/	/	/	
2	110	75	75	BST5120021F			17	10	10	11	11	3	2	2	/	/	/	/	/	/	/
3	160	75	75	BST5120031F			20	12	12	5	5	4	3	2	/	/	/	/	/	/	/
4	190	75	75	BST5120041F			8	8	8	5	5	2	1	1	1	/	/	/	/	/	/
5	230	75	75	BST5120051F			23	14	14	12	12	4	3	3	2	/	/	/	/	/	/
6	122	120	91	BST5120061F			15	11	11	8	8	3	2	2	1	1	/	/	/	/	/
7	220	120	91	BST5120071F			27	16	16	14	14	5	4	3	3	/	/	/	/	/	/
8	160	160	91	BST5120081F			8	6	6	5	5	2	1	1	1	/	/	/	/	/	/
9	260	160	91	BST5120091F			42	24	24	20	20	8	6	5	4	/	/	/	/	/	/
10	360	360	91	BST5120101F			8	6	6	5	5	2	1	1	1	/	/	/	/	/	/
11	560	160	91	BST5120111F			69	40	40	34	34	13	10	8	7	/	/	/	/	/	/
12	360	160	91	BST5120121F			36	32	32	21	21	10	8	3	3	2	2	2	2	2	2
13	255	250	121	BST5120131F			27	18	18	10	10	8	3	2	2	2	2	2	2	2	2
14	400	250	121	BST5120141F			96	60	60	54	54	24	20	8	6	6	6	6	6	6	6
15	600	250	121	BST5120151F			27	18	18	10	10	8	3	2	2	2	2	2	2	2	2
16	255	250	161	BST5120161F			36	32	32	21	21	10	8	3	3	2	2	2	2	2	2
17	400	250	161	BST5120171F			27	18	18	10	10	8	3	2	2	2	2	2	2	2	2
18	405	400	201	BST5120181F			60	39	39	22	22	16	6	5	4	4	4	4	4	4	4
19	400	400	210	BST5120191F			27	18	18	10	10	8	3	2	2	2	2	2	2	2	2
20	160	160	120	BST5120201F			105	78	78	55	55	32	18	10	8	8	8	8	8	8	8
21	810	400	210	BST5120211F			98	72	72	50	50	32	18	10	8	8	8	8	8	8	8
					8	6	6	4	4	2	1	1	1	/	/	/	/	/	/		
					22	16	16	10	10	6	4	2	2	/	/	/	/	/	/		
					2	1	1	1	1	/	/	/	/	/	/	/	/	/	/		
					52	35	35	18	18	8	6	5	4	/	/	/	/	/	/		
					8	6	6	5	5	2	1	1	1	/	/	/	/	/	/		
					105	78	78	55	55	32	18	10	8	8	8	8	8	8	8		
					98	72	72	50	50	32	18	10	8	8	8	8	8	8	8		
					105	78	78	55	55	32	18	10	8	8	8	8	8	8	8		
					98	72	72	50	50	32	18	10	8	8	8	8	8	8	8		
					15	15	11	11	8	8	3	2	2	/	/	/	/	/	/		
					8	6	6	5	5	2	1	1	1	/	/	/	/	/	/		
					196	132	132	100	100	56	32	20	16	12	12	12	12	12	12		
					98	72	72	50	50	32	18	10	8	8	8	8	8	8	8		



防水防尘防腐箱
Waterproof, Dustproof and Anti-corrosion Junction Box



→ BST5130F系列 Series

适用范围 Intended Use : 适用于需要高防护等级和稳定电力供应的工业和环境条件恶劣的场所
Suitable for industrial and harsh environmental conditions that require high protection levels and stable power supply

防护等级 Degree of Protection : IP66

抗冲击性能 Impact resistance : 7J

工作温度 Operating Temperature : -55℃~+130℃

材料厚度 Material thickness : 标配1.5mm (其他定制) 1.5mm (other customization)

材料 Material : 不锈钢 Stainless steel (304、316、S316L)

表面处理 Surface treatment : 抛光及拉丝 Polished and brushed

耐腐蚀性等级 Corrosion resistance level : WF2



功能定义 Function Definition

防水, 防尘, 防腐箱通常称为三防箱, 其主要功能包括:
防水: 能够在潮湿环境中工作, 防止水分侵入。
防尘: 能够有效阻挡灰尘进入箱内, 保护电气元件。
防腐: 能够抵抗腐蚀性物质的侵蚀, 延长使用寿命。
Three-proof box usually refers to a waterproof, dustproof and anti-corrosion distribution box or control box. Its main functions include:
Waterproof: Able to work in humid environments to prevent moisture intrusion.
Dust-proof: It can effectively prevent dust from entering the box and protect electrical components.
Anti-corrosion: It can resist the erosion of corrosive substances and extend its service life.

组件数据-标配 Configuration components-Standard			组件数据-选配 Optional		
图样 Pattern	名称 Item	材料 Material	图样 Pattern	名称 Item	材料 Material
	安装底板 Mounting Base Plate	镀锌钢板 Galvanized steel sheet		安装导轨 Installation guide rail	镀锌钢板 Galvanized steel sheet
	盖板机械锁 Mechanical Lock for the Cover Plate	304不锈钢 Stainless Steel		接线端子 Explosion-proof Terminal Block	PA
	盖板密封条 Sealing strip for the cover plate	硅胶 Silicone		电缆固定头 Explosion-proof Cable Gland	金属 Metal
	接地标识 Grounding Indication	304不锈钢 Stainless Steel			

说明: 选配的组件详细技术参数等内容, 见其详细页。例如防爆电缆固定头详见/P
Note: For detailed technical parameters and other information of the optional components, please refer to their detailed pages. For example, for the explosion-proof cable gland, please refer to /P.

防水防尘防腐箱
Waterproof, Dustproof and Anti-corrosion Junction Box



→ BST5130F系列 Series

开孔数据 Hole Opening Table for Cable Glands of Explosion-proof Enclosures

序号 No.	箱体外形尺寸 Box Dimensions (mm)			型号 Model	开孔区域到箱体边最小距离 Min. dist. from opening area to box edge (mm)	电缆固定头安装面 Cable gland mount surface F	电缆固定头型号 Cable Gland Model													
	长 long A	宽 wide B	高 high C				M12	M16	M16B	M20	M20B	M25	M32	M40	M50	M63				
1	100	100	60	BST5130011F	最小距离≥3	D/E F/G	3	3	3	2	2	/	/	/	/	/	/	/	/	
2	150	150	80	BST5130021F			9	5	5	4	4	3	/	/	/	/	/	/	/	/
3	200	150	80	BST5130031F			15	7	7	5	5	4	/	/	/	/	/	/	/	/
4	300	200	110	BST5130041F			23	12	12	9	9	5	3	3	/	/	/	/	/	/
5	400	200	150	BST5130051F			36	20	20	15	15	8	5	4	/	/	/	/	/	/
6	400	400	150	BST5130061F			82	42	42	36	36	18	14	6	5	4	/	/	/	/
7	500	400	150	BST5130071F			32	18	18	17	17	11	8	3	2	2	/	/	/	/
8	400	400	210	BST5130081F			82	42	42	36	36	18	14	6	5	4	/	/	/	/
9	500	500	210	BST5130091F			68	42	42	36	36	26	14	8	5	4	/	/	/	/
10	600	400	210	BST5130101F			84	54	54	45	45	29	18	9	6	5	/	/	/	/
11	700	400	210	BST5130111F			68	42	42	36	36	26	14	8	5	4	/	/	/	/
12	700	700	300	BST5130121F			110	84	84	60	60	36	21	12	10	8	/	/	/	/
13	800	600	300	BST5130131F			110	84	84	60	60	36	21	12	10	8	/	/	/	/
14	1000	800	300	BST5130141F			147	108	108	80	80	48	27	18	12	12	/	/	/	/
15	800	800	400	BST5130151F			147	108	108	80	80	48	27	18	12	12	/	/	/	/
16	900	900	400	BST5130161F			182	132	132	95	95	56	33	18	14	14	/	/	/	/
17	1200	1200	400	BST5130171F			119	84	84	60	60	36	21	14	10	8	/	/	/	/
					210	156	156	110	110	68	39	29	18	16	/	/	/	/		
					119	84	84	60	60	36	21	14	10	8	/	/	/	/		
					330	260	260	176	176	102	65	40	30	24	/	/	/	/		
					330	260	260	176	176	102	65	40	30	24	/	/	/	/		
					385	261	261	200	200	114	75	48	30	21	/	/	/	/		
					286	220	220	152	152	84	55	36	24	21	/	/	/	/		
					484	333	333	256	256	144	95	60	39	33	/	/	/	/		
					385	261	261	200	200	114	75	48	30	27	/	/	/	/		
					560	390	390	286	286	171	105	60	50	36	/	/	/	/		
					560	390	390	286	286	171	105	60	50	36	/	/	/	/		
					600	429	429	319	319	176	118	65	44	40	/	/	/	/		
					600	429	429	319	319	176	118	65	44	40	/	/	/	/		
					795	585	585	429	429	232	132	90	60	56	/	/	/	/		
					795	585	585	429	429	232	132	90	60	56	/	/	/	/		

外形尺寸 Outline drawing

